



**bathonomy**

ASME A112.18.1 / CSA B125.1  
NSF61, NSF372



## Metro 1-Way Only Head Included Complete Shower Set - Wall Mount - 8" Brass/Polished Chrome



### COMPONENTS:

- Shower arm wall mount 14 in. length.
- Shower head 8 in. slim design with sharp nozzles.
- Shower mixer rough-in valve with trim.



#### Working pressure:

- Min: 20 PSI (1.5 bar)
- Max: 125 PSI (8 bar)
- Recommended: 45 PSI (3 bar)
- Hot water inlet max. temperature: 180 °F (80 °C)
- Water inlet threads: 1/2 NPT male
- Full brass

#### Shower head features:


- Thin design (0.2 in. / 5 mm)
- G 1/2 in. female inlet
- Full rain spray single function
- 1.8 Gpm @ 80 PSI
- Silicone sharp nozzles easy to clean
- Made in stainless steel.

#### Shower arm features:

- Wall mount.
- NPT 1/2 in. inlet . G 1/2 in. outlet
- 14" length
- Mobil scutcheon
- Full brass construction.
- Material: Brass
- Finish/Color: Brushed Nickel

#### Dimensions:

- Weight: 6.4 lb.

COLOR	CODE	DESCRIPTION
	PCH	POLISHED CHROME



# bathonomy Shower Arm

**Smart**

Shower Arm - Wall Mount - 15"

## Features

Elegant and traditional shower arm. Of our family of accessories Smart. This shower arm is manufactured in full brass. Wall mounted.

- Shower arm
- Suggested room fit: Showers
- 1/2" NPT male inlet and outlet

## Material

- Premium material construction with metal handle ensures reliability and durability.
- BATHONOMY finishes resist corrosion and tarnishing.
- Stainless steel construction

## Dimensions

- W: 15" \* Ø: 0.87"

## Weight

- 0.6 lb.



## Codes/Standards

JUM.SHA.SMA.15.00.BR.PCH

## BATHONOMY Faucet Lifetime Limited Warranty

See website for detailed warranty information.

## Available Colors/Finishes

*Color tiles intended for reference only.*

### Color Code Description

Color	Code	Description
	BSS	Brushed Stainless Steel
	MBL	Matt Black
	PSS	Polished Stainless Steel
	SBR	Satin Brass



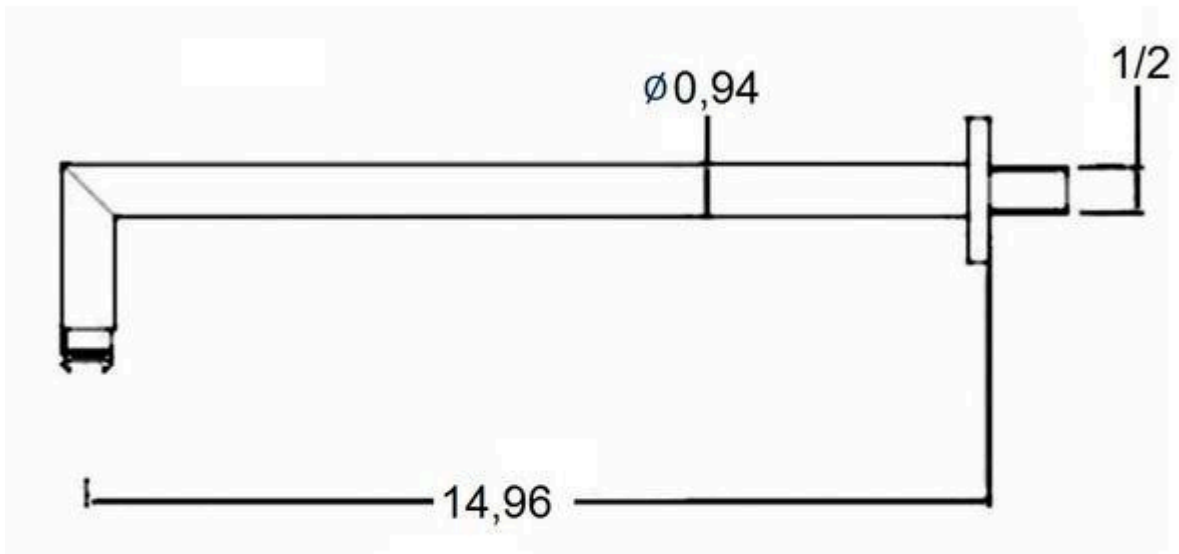
**Codes / Standards compliance:** Uniform Plumbing Code (UPC)

National Plumbing Code of Canada

ASME A112.18.1-2018 / CSA B125.1-18 / ASSE 1016

IAPMO file number: 8659 (for more info visit: <http://pld.iapmo.org/default.aspx>)

SKU for iapmo search LTA1010



**Technical Information**

All product dimensions are nominal.

**Notes**

Install the product according to the installation guide.



# bathonomy ShowerHead

## Devon

### Sharp Nozzles Shower Head Wall Or Ceiling Mount - 8"

#### Features

Modern shower head of our Devon family, a family of components for your shower with a square and modern design that will delight your daily shower. This family covers everything you need to build your bathroom area: mixers, heads, hand showers, connectors, tub spout, etc. Available in different finishes and sizes.

- Shower head
- Thin design (5mm / 0.2 in.)
- G 1/2 in. inlet
- Silicone sharp nozzles easy to clean
- 1.8 Gpm
- Rustproof: Yes

#### Material

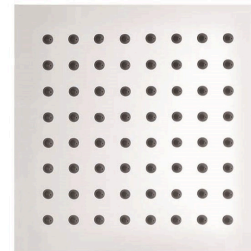
- Premium material construction with metal handle ensures reliability and durability.
- BATHONOMY finishes resist corrosion and tarnishing.
- Stainless steel construction

#### Dimensions

- W: 8" \* H: 0.2" \* D: 8"

#### Weight

- 2.4 lb.



#### Codes/Standards

COF.SHH.DEV.08.00.SS.PSS

#### BATHONOMY Faucet Lifetime Limited Warranty

See website for detailed warranty information.

#### Available Colors/Finishes

*Color tiles intended for reference only.*

#### Color Code Description

Color	Code	Description
	BSS	Brushed Stainless Steel
	MBL	Matt Black
	PSS	Polished Stainless Steel
	SBR	Satin Brass



**Codes / Standards compliance:** Uniform Plumbing Code (UPC)

National Plumbing Code of Canada

ASME A112.18.1-2018 / CSA B125.1-18 / ASSE 1016

IAPMO file number: 8659 (for more info visit: <http://pld.iapmo.org/default.aspx>)

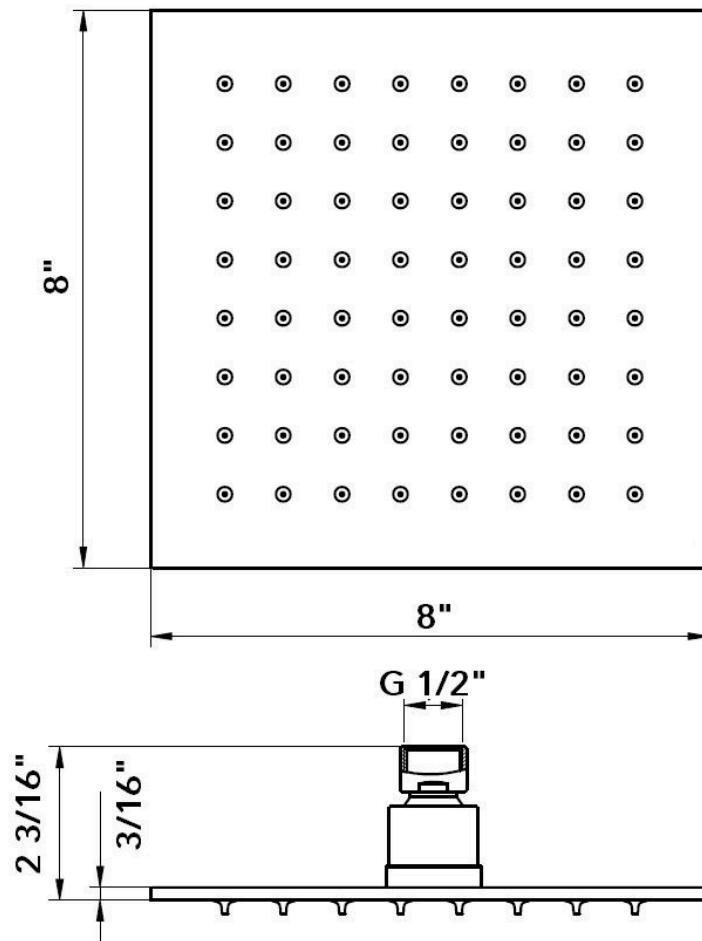
SKU for iapmo search LTA1010



# bathonomy ShowerHead

**Devon**

Sharp Nozzles Shower Hea Wall  
Or Ceiling Mount - 8"



## Technical Information

All product dimensions are nominal.

## Notes

Install the product according to the installation guide.



# bathonomy Shower Mixer

**Metro**

1 Way Pressure Balance Shower Mixer - Wall Mount - 1"

## Features

- Pressure balance rough-in valve 1 way.
- Possibility of converting the system into a two way through a bathtub spout with diverter.
- Shut-off valves and integrated anti-return valves.
- Temperature and flow limiter incorporated in cartridge.
- Pressure balance cartridge adjust inlet pressure fluctuations
- Pressure balance cartridge prevent scalding, cold water supply stops when cold water pressure fail.
- Maximum outlet temperature and flow can be limited.
- Minimum working pressure: 20 Psi (1.4 Bar)
- Maximum working pressure: 125 Psi (8 bar)
- Recommended working pressure: 45 Psi (3 Bar)
- Maximum test pressure: 500 Psi (35 Bar)
- Hot water inlet max. temperature: 180°F (80° C)
- Water inlet and outlet threads: Male 1/2 in. NPT

## Material

- Premium material construction with metal handle ensures reliability and durability.
- BATHONOMY finishes resist corrosion and tarnishing.
- Brass

## Dimensions

- D: 3" \* Ø: 5.31"

## Weight

- 3.3 lb.



## Codes/Standards

COF.SHM.MTO.01.00.BR.PCH

## BATHONOMY Faucet Lifetime Limited Warranty

See website for detailed warranty information.

## Available Colors/Finishes

*Color tiles intended for reference only.*

### Color Code Description

	BNI	Brushed Nickel
	MBL	Matt Black
	PCH	Polished Chrome
	SBR	Satin Brass

## Codes / Standards compliance:



Uniform Plumbing Code (UPC)  
National Plumbing Code of Canada  
ASME A112.18.1-2018 / CSA  
B125.1-18 / ASSE 1016



IAPMO file number: 8659 (for more info visit: <http://pld.iapmo.org/default.aspx>)

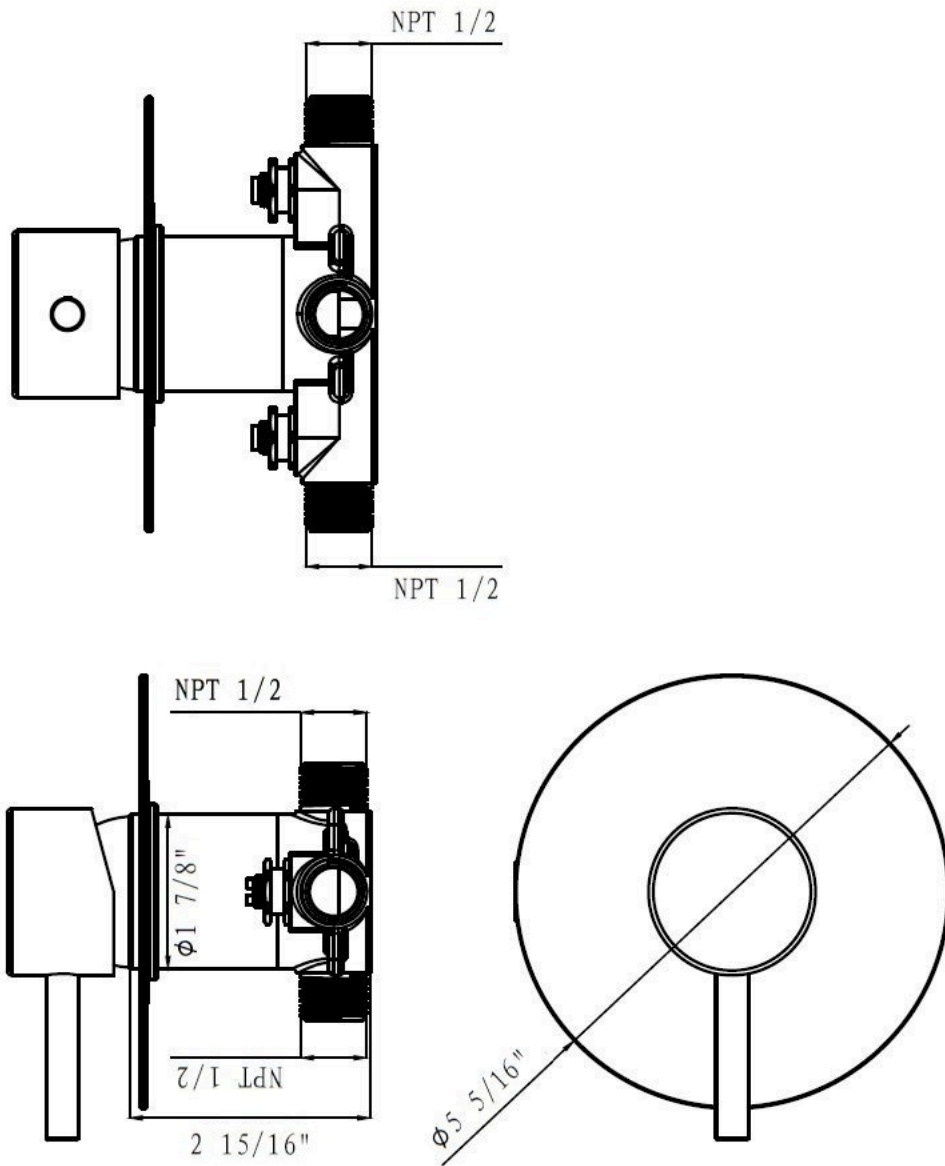
SKU for iapmo search LTA1010



# bathonomy ShowerMixer

**Metro**

1 Way Pressure Balance Shower Mixer - Wall Mount - 1"



### Technical Information

All product dimensions are nominal.

Shower head included: No

Shower arm: No

### Notes

Install the product according to the installation guide.