



bathonomy

Illuminated Bathroom Cabinet Installation Instructions

Model

Versatile Led Medicine Cabinet Wall Mount 32"

Please read these instructions carefully before installation. Installation should be carried out by a qualified electrician. **IMPORTANT. PLEASE MAKE SURE THIS MIRROR IS TESTED BEFORE IT IS FITTED & INSTALLED. RETURNS WILL NOT BE ACCEPTED FOR ANY MIRROR THAT HAS BEEN INSTALLED. INSTALLATION IS ACCEPTANCE OF QUALITY.**

GENERAL

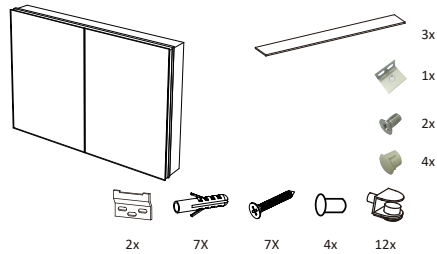
- **THIS PRODUCT CONFORMS TO UL STANDARDS AND MUST BE INSTALLED IN ACCORDANCE WITH CURRENT IEE WIRING REGULATIONS AND BUILDING REGULATIONS (PART P). THIS PRODUCT MUST BE EARTHED, AND SHOULD NOT BE CONNECTED TO AN UNEARTHED CIRCUIT.**
- **ENSURE THAT CONNECTIONS ARE TURNED OFF AT THE CONSUMER UNIT OR FUSE BOARD BEFORE INSTALLING OR CARRYING OUT ANY MAINTENANCE.**
- **THIS PRODUCT IS FOR INDOOR USE ONLY.**
- **REPLACE FAILED LED STRIPS IMMEDIATELY. ALLOW THE GLASS, LED STRIPS AND FITTING TO COOL BEFORE REPLACING THE LED STRIPS.**

IMPORTANT

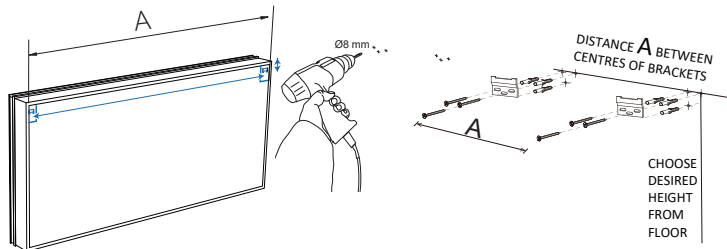
- When working at heights, please use a suitable platform to work from.
- Please note: For new installations, check for any electrical cables or pipe work (gas/water) in the vicinity of the intended mounting point before proceeding with the installation.
- Ensure that the fixing location is able to take the weight of the complete fitting. Wear suitable eye protection when drilling. Be careful when using power tools near water.

Installation -hang on a wall

1. Open the carton and make sure all the parts listed below are present



2. Mark a desired height of the mirror and draw a horizontal line on the wall which corresponds with the height of the cabinet hangers. Measure distance A then drill required holes and insert the wall plugs. Note: Wall plugs supplied are only suitable for solid stone/brick walls. Then screw the brackets to the wall using the screws provided. Please ensure the screws are fully tight.



3. Make the electrical connections, make sure to turn off the electrical supply at the mains. Connection must be made in accordance with the latest IEE regulations. This cabinet is manufactured to Class I and requires an earth connection.

4. Hang the cabinet on the wall bracket. The claws on the cabinet hangers must be securely located on the wall brackets. Using a spirit level to adjust the angle of the cabinet by turning the screw A with a cross head screwdriver. When the angle is properly adjusted then mark the position of the bottom centre remove the cabinet and drill the required 8mm hole and fit the wall plug. Re-mount the cabinet on the wall brackets and tighten the screw B on both hangers. Then secure the base of the cabinet to the wall with provided screw and cover-cap.

Do NOT strike mirror glass with hard or pointed items. It is recommended that the product is cleaned with a soft, dry, non abrasive cloth. Do NOT use cleaning agents or abrasive materials on any type of finished surface. Do NOT allow moisture to come into contact with the electrical components.

Compliance

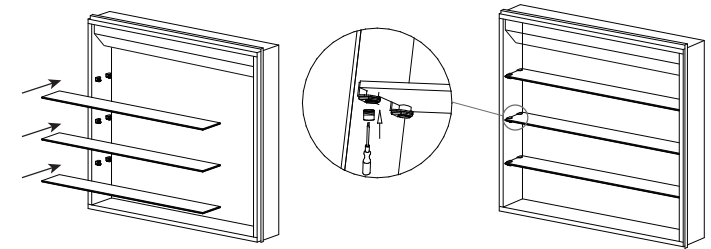
This product complies with the following safety standards: UL962

Wiring

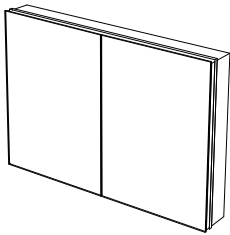
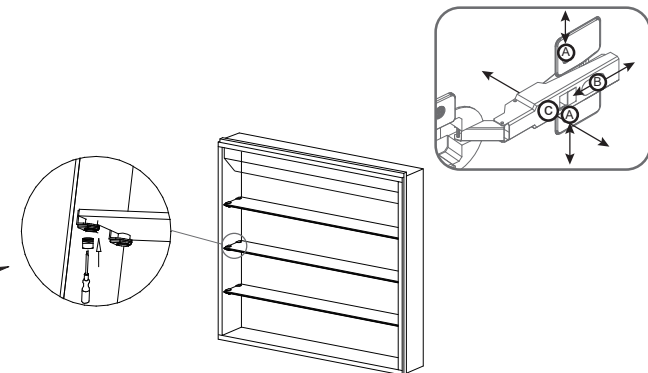
All electrical equipment within a bathroom or shower room must be connected to a residual current device as per Part P of the Building Regulations. This product is manufactured to class I category and requires an earth connection. Input Voltage: 110-120V 60HZ

5. Close and secure the internal top electrical cover with the small screws removed earlier. And switch on the electrical supply at the mains to test the function of the lamp and the shaver socket.

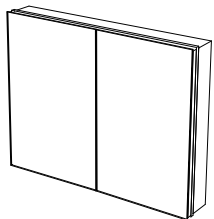
6. Insert the shelf supports in the desired positions starting with the top shelf. On the double door item, one of the doors should be removed so the glass shelves can be inserted. Please make sure to tighten the plastic screw at the bottom of the shelf support to prevent the shelves becoming loose. Rubber plugs provided can be used to cover unused shelf holes.



7. If the doors are out of alignment, please first remove the soft-close buffer (from bottom hinges), then adjust the screws A, B and C on hinges for 3 directional adjustment, see below diagram.



ARGYLEMCR8700-B



ARGYLEMCR6700-B





bathonomy

Installation-recessed into a wall

This product can be recessed into a wall too . Before installation ensure you **take note of the dimensions of the recessed area and the side fixing points inside the cabinet carcass (See fig. B & E)**. Ensure the construction of the wall is suitable to accommodate for the size and weight of a recessed cabinet.

The cabinet should be placed in a suitable location,

Ensure the domestic electrical mains supply

to which the cabinet is to be connected is turned o . Before drilling,

ensure that there are no hidden cables or pipes in the wall. It is strongly **recommended that the fitting of this product is conducted by two people.**

1. Before commencing installation, remove the door(s) from the carcass. This is done by gently pulling at the tab at the back of each hinge, as per Fig. A. Place the cabinet door(s) carefully onto a soft surface where they will not get damaged during installation. The door(s) have been intentionally left disconnected during transport.
2. Measure the dimension of the cabinet carcass (but not the front aluminium fascia).
3. Using these dimensions, take a soft pencil and mark the outline for the required aperture in the wall. Take great care to mark this accurately, straight and level.
4. Using an appropriate tool, cut or channel out the aperture in the wall where the cabinet will fit (Fig. B).
5. If it is necessary, install supporting baton(s) or noggin(s) around the recessed area (see Fig. C) to which the cabinet can be secured. These supports must be completely vertical and parallel to the cabinet to prevent the cabinet twisting when fitted.
6. Connect the domestic mains supply according to the wiring diagram (See Fig. 2) on the back page and manoeuvre the cabinet into the wall aperture (See Fig. D).
7. Using a suitable screwdriver or drill, secure the cabinet into the wall aperture with the supplied screws, via the two holes (two on each side) See Fig. E.

8. Insert the supplied shelf brackets into the appropriate holes on the inside of the cabinet, depending on what height each shelf is required. Slide each shelf into position and secure in place by tightening the small plastic grub screw on the underside of each shelf bracket.
9. With help from a second person, offer the door up to the cabinet and carefully connect the wires using the connection blocks - take care to connect the blocks in the correct orientation, so that the red wire connects to the red wire and black to black. Once connected, carefully slide any excess wiring and the connector blocks inside the carcass and reconnect the hinges. Hinges are reconnected by clipping the front of the hinge in and then applying pressure on the back of the hinge until an audible 'click' is heard.
10. If necessary, hinges can be adjusted to reposition the door(s) see Fig. G.
11. Switch mains supply back on.

