

## Codes/Standards

ARM.VAN.AQS.36.00.GL.MIG

---

## Features

- The vanity has aluminum body that is 100% water and moisture resistant.
- The exterior surfaces can be glass, leather or compact laminate, all fully resistant to water and moisture.
- Adjustable cabinet hinges which can be calibrated easily to balance the lids.
- Drawer lid material is PVC glued with high gloss polished polyurethane glue.
- The lids have silent and slow closing mechanisms, equipped with shock absorbers.

## Material

- Premium material construction with metal handle ensures reliability and durability.
- ARMADI ART finishes resist corrosion and tarnishing.
- Glass/Glass.

## Dimensions

- Cabinet: W: 35.4" \* H: 13.7" \* D: 19.7"
- Sink: W: 35.8" \* D: 20.5"

## Weight

- 661.4 Lb.

## Description

Water and humidity have always created major problems on bathroom furnitures. The problem of swelling caused by water and humidity no longer happens with Acqua collection. Aluminum material forms the body of bathroom cabinets. Compact laminates, glass and leather are used on the surfaces of the bathroom cabinets. Inspired by nature, bathroom cabinets are designed with special materials resistant to water, humidity and even scratches.

## Acqua Slim 1 Drawer Bathroom Vanity with Glass Sink- Wall Mount - 36"

---



### ARMADI ART Vanity

#### Lifetime Limited Warranty

See website for detailed warranty information.

#### Available Colors/Finishes

*Color tiles intended for reference only.*

Color	Code	Description
-------	------	-------------

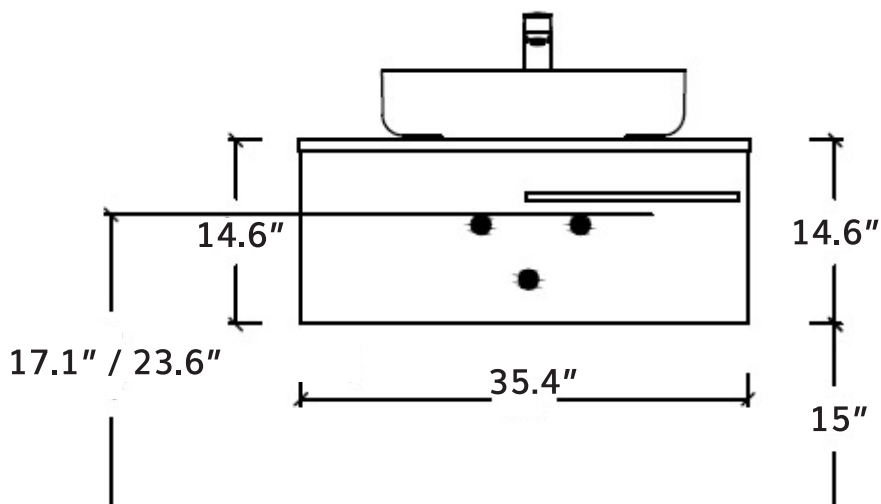
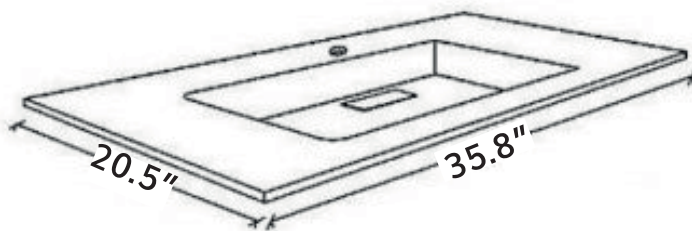
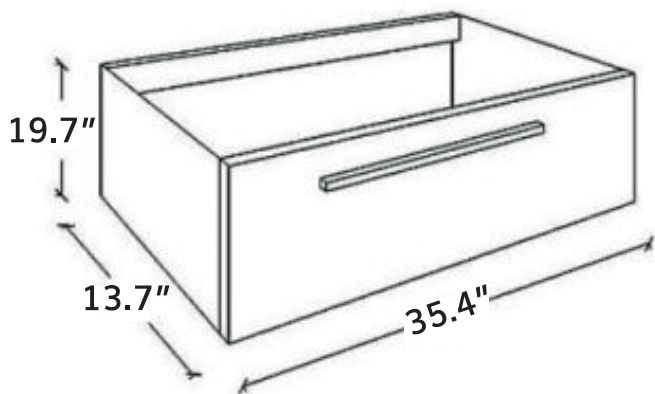


MIG

Mint Glass

**Drawing**

**Acqua Slim 1 Drawer Bathroom Vanity  
with Glass Sink- Wall Mount - 36"**



**Technical Information**

All product dimensions are nominal.

Shower head included: No  
Shower arm: No

**Notes**

Install the product according to the installation guide.