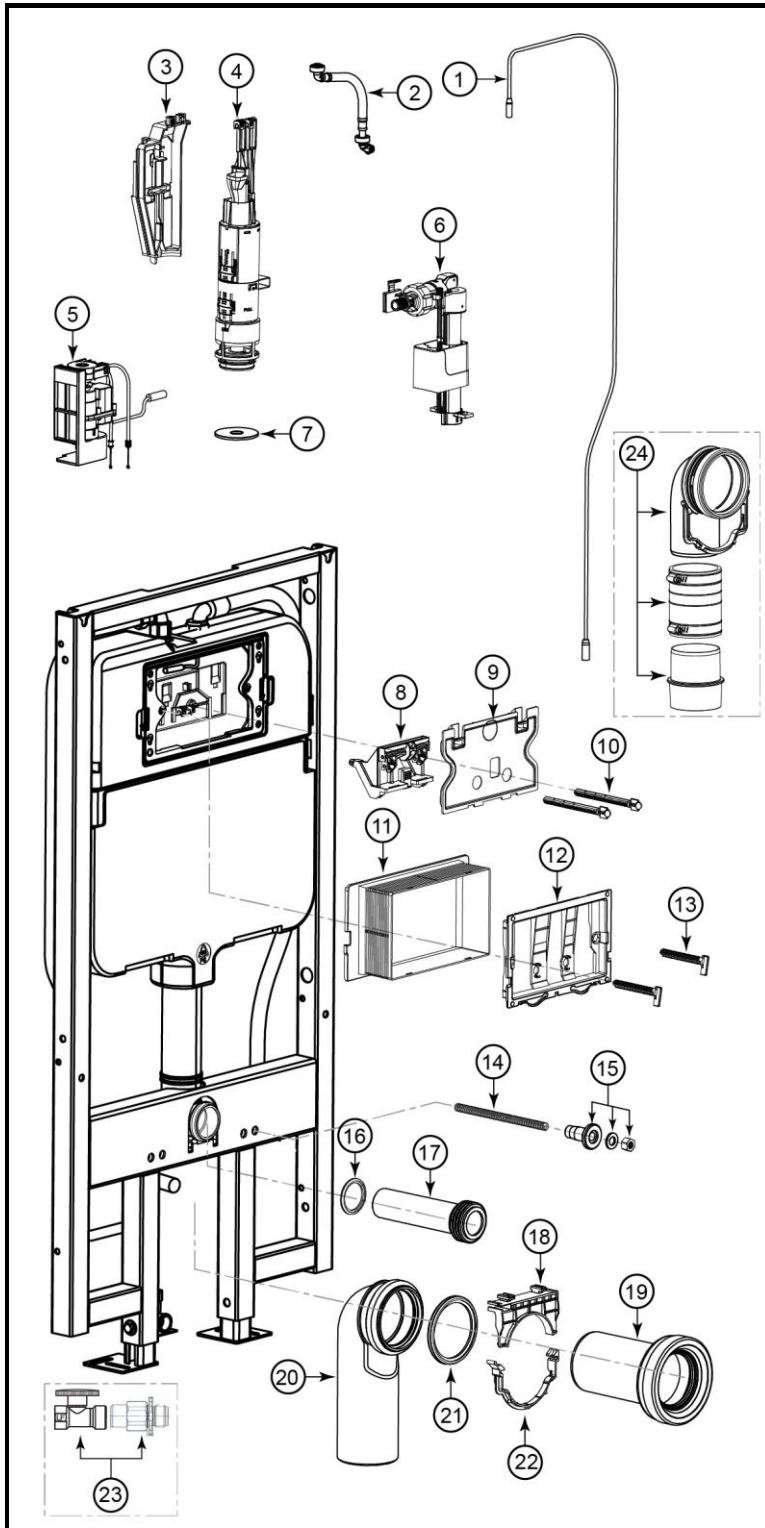


**DuoFit In Wall Tank System**  
**For 2x6 & 2x4 Wall Stud Installation**  
**1.28 Gpf/4.8 Lpf & 0.9 Gpf/3.4Lpf**  
**Adjustable Height 15" - 19" (includes Auto Flush)**



Item	Part	Description
1	THU798-A	Power Cable for Auto Flush
2	THU479-A	Flexible Hose
3	THU549	Hold-Down Bracket for Flush Valve
4	THU753-A	Flush Valve
5	THU478-A	Auto Flush Unit
6	TSU46A	Fill Valve
7	THU482	Seal Gasket (1piece)
8	THU480-A	Actuator
9	THU481-A	Splash Guard (WT173MA)
	THU760-A	Splash Guard (WT172 & WT173M)
10	THU608	Push Rod (2 pieces)
11	THU509-A	Push Plate Rough in
12	THU656-A	Panel Receiver for Push Plate
13	THU607	Locking Tab (2 pieces)
14	THU658-A	Threaded Rod (2 pieces)
15	THU649-A	Toilet Mounting set (2 sets)
16	THU606	Gasket for Elbow Inlet Pipe (5 pieces)
17	THU489-A	Toilet Inlet Pipe
18	THU548	Upper Bracket
19	THU484-A	Toilet Flange Pipe
20	THU490-A	Elbow Outlet Pipe
21	THU561	Gasket for Elbow Outlet Pipe (5 pieces)
22	THU560	Lower Bracket
23	THU794*	Washlet Connection Kit for WT173MA
	THU805*	Washlet Connection Kit for WT173M
24	THU343*	2x4 Outlet Drain Kit

**Note:**

\* Item sold separately.

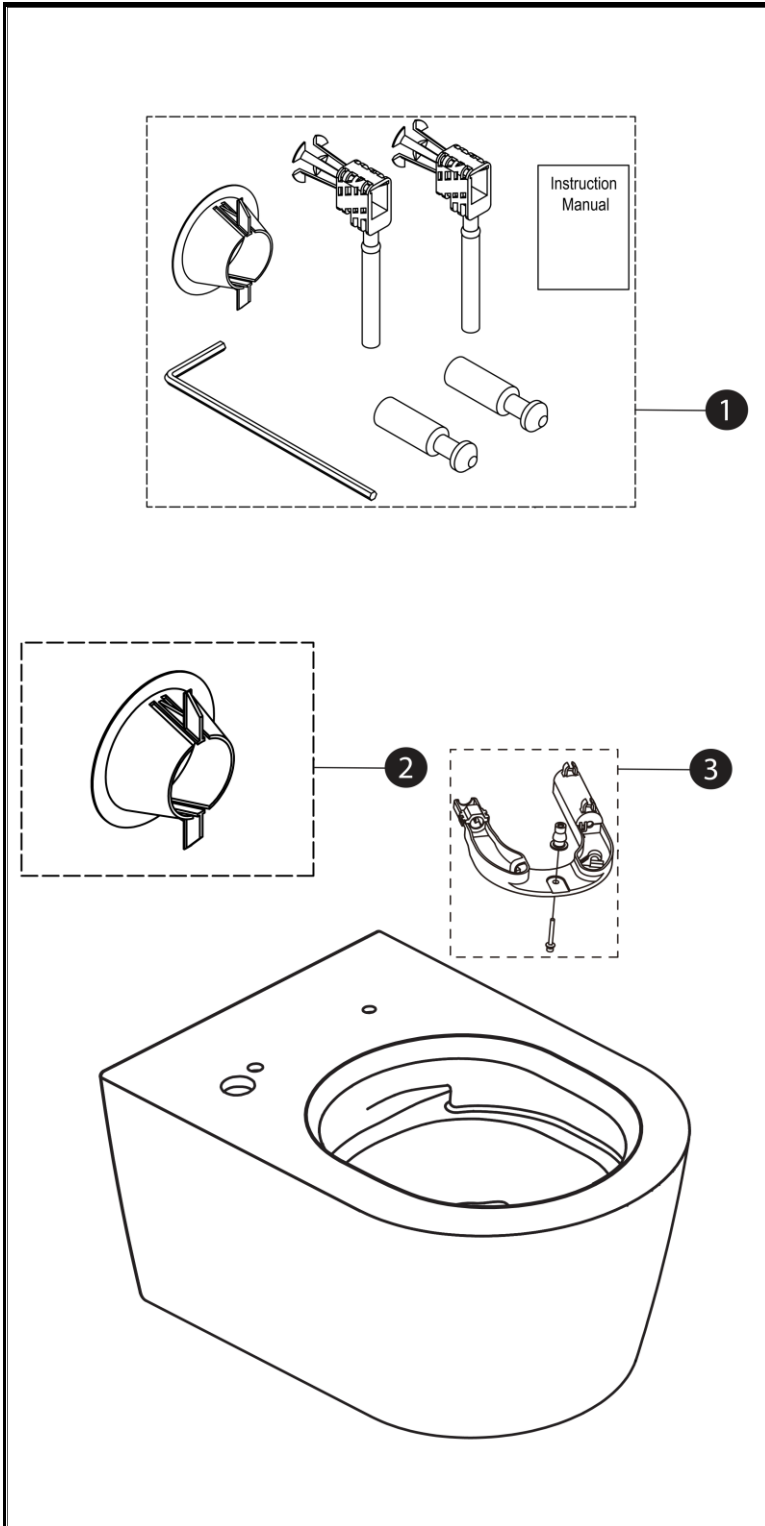
**Product Number Explanations**

(WT) InWall Tank  
 (173) Model number  
 (M) Dual Flush  
 (A) Auto Flush

Actual Product may vary slightly from illustration.

CT447CFG60  
 CWT4474047CMFG  
 CWT4474047CMFGA

**RP Wall Hung Bowl for RX WASHLET®**  
**1.28/0.9 GPF D-Shape Bowl**  
**DYNAMAX®, Wall Hung**  
**CEFIONTECT®**

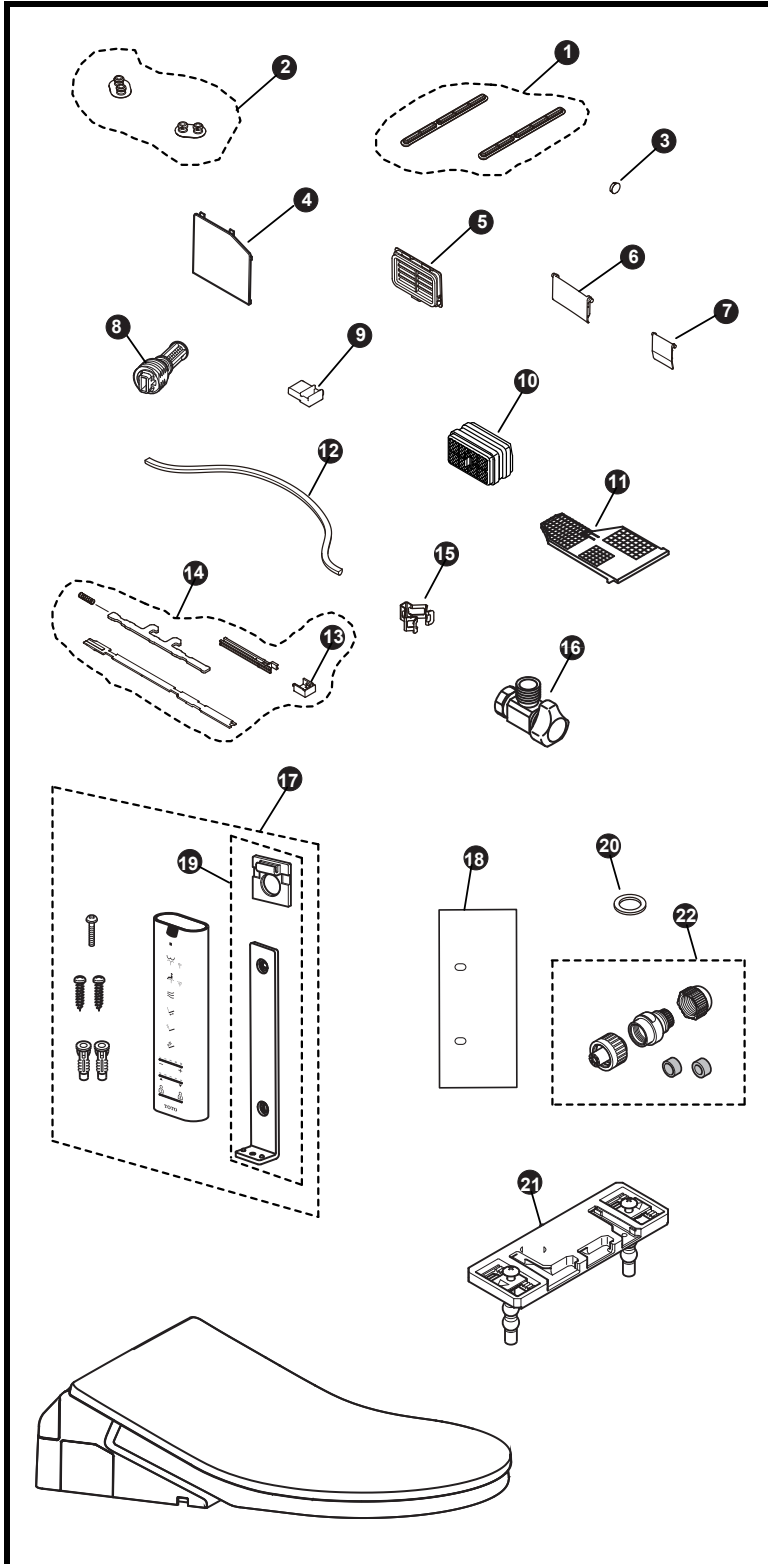


Item	Part	Description
1	THU754-A	Wall Hung Bowl Spare Part
2	9AU323-A	Pressure Loss Ring Spare Part for Wall Hung Bowl
3	THU6321	Bracket Unit Assembly

**Note:**

Product Number Explanations	
<b>Wall Hung Toilet</b>	<b>Features</b>
(CWT) Tank, Bowl, Push plate combination	(C) TORNADO FLUSH®
(CT) Skirted Bowl	(M) DUAL-MAX®
(#01) Cotton	(F) Universal Height
(447) Bowl Model #	(G) CEFIONTECT®
(4047) RX WASHLET®	(A) AUTO FLUSH®

Actual Product may vary slightly from illustration.



Item	Part	Description
1	THU6326	Lid Bumpers (x2)
2	THU9495	Seat Bumpers (x2)
3	THU6329	Screw Cap
4	THU6332#01 THU6332#12	Side Cover - Cotton Side Cover - Sedona Beige
5	THU6333#01 THU6333#12	Deodorizer Louver - Cotton Deodorizer Louver - Sedona Beige
6	THU6337#01 THU6337#12	Front Cover - Cotton Front Cover - Sedona Beige
7	THU6338#01 THU6338#12	Wand Door - Cotton Wand Door - Sedona Beige
8	THU6350	Water Filter Drain Valve
9	THU6356#01 THU6356#12	Drain Lever Cap - Cotton Drain Lever Cap - Sedona Beige
10	THU6358	Deodorizer Cartridge
11	THU6359#01 THU6359#12	Deodorizer Air Filter - Cotton Deodorizer Air Filter - Sedona Beige
12	THU6362	Backflow Check Gasket
13	THU6367#01 THU6367#12	Lever Cover - Cotton Lever Cover - Sedona Beige
14	THU6369#01 THU6369#12	Lever Assembly - Cotton Lever Assembly - Sedona Beige
15	THU9484#01	Water Supply Connection Clip
16	THU6377	Water Shutoff Valve
17	THU6382 THU6383	Remote Control Assembly - SW4047T60 Remote Control Assembly - SW4047AT60
18	THU6384 THU6385	Remote Control Operation Guide - SW4047T60 Remote Control Operation Guide - SW4047AT60
19	THU6386	Remote Control Hanger Assembly
20	THU6387	Supply Hose Fiber Washer
21	THU6388	Base Plate Assembly
22	THU6521	Electric Connection Adapter

**Note:**

**Product Number Explanations**

WASHLET®  
(SW) WASHLET®  
(4047) RX  
(A) Auto flush compatible  
(T60) WASHLET®+

Colors  
(#01) Cotton White  
(#12) Sedona Beige

Actual Product may vary slightly from illustration.