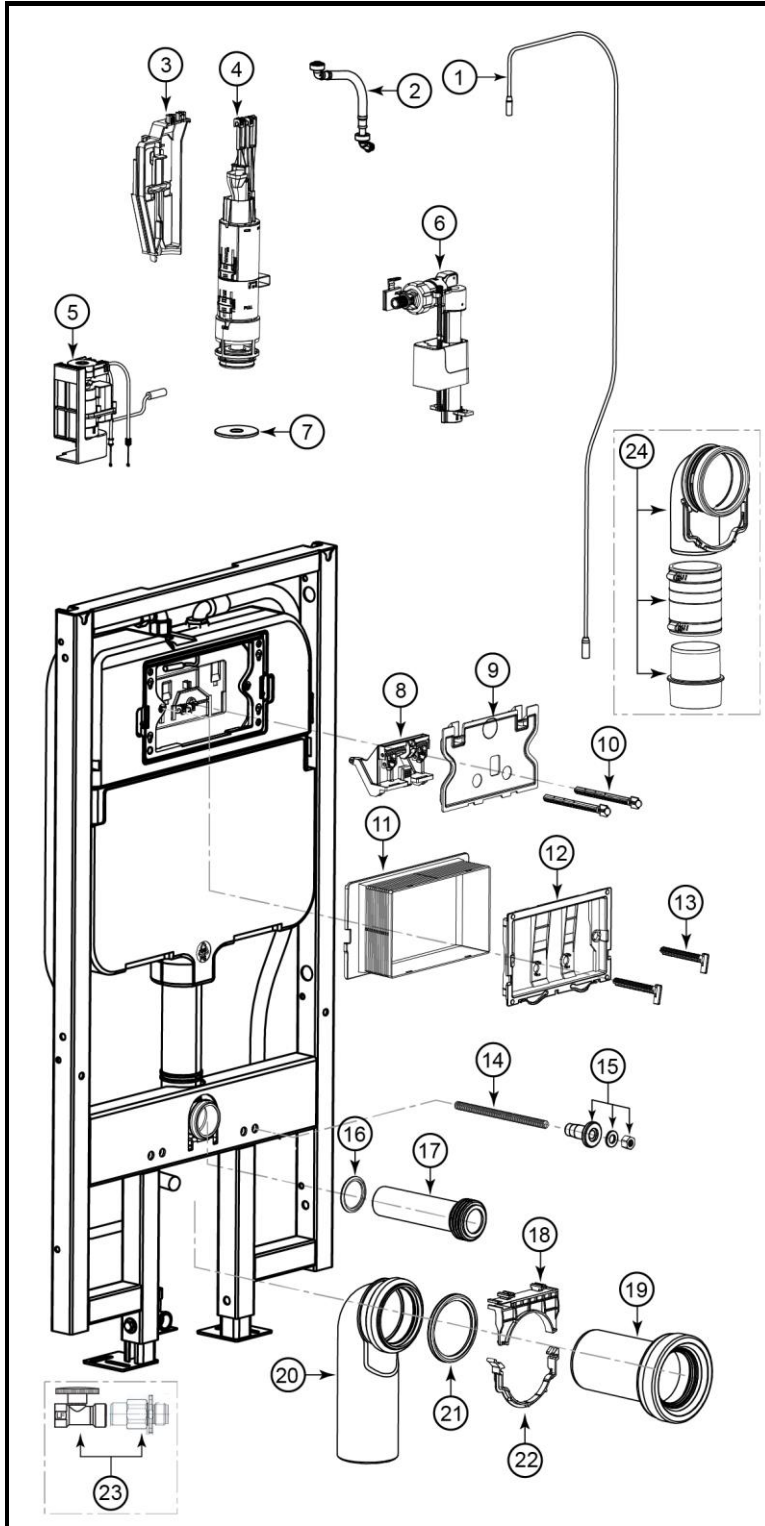


DuoFit In Wall Tank System
For 2x6 & 2x4 Wall Stud Installation
1.28 Gpf/4.8 Lpf & 0.9 Gpf/3.4Lpf
Adjustable Height 15" - 19" (includes Auto Flush)



| Item | Part | Description |
|------|----------|---|
| 1 | THU798-A | Power Cable for Auto Flush |
| 2 | THU479-A | Flexible Hose |
| 3 | THU549 | Hold-Down Bracket for Flush Valve |
| 4 | THU753-A | Flush Valve |
| 5 | THU478-A | Auto Flush Unit |
| 6 | TSU46A | Fill Valve |
| 7 | THU482 | Seal Gasket (1piece) |
| 8 | THU480-A | Actuator |
| 9 | THU481-A | Splash Guard (WT173MA) |
| | THU760-A | Splash Guard (WT172 & WT173M) |
| 10 | THU608 | Push Rod (2 pieces) |
| 11 | THU509-A | Push Plate Rough in |
| 12 | THU656-A | Panel Receiver for Push Plate |
| 13 | THU607 | Locking Tab (2 pieces) |
| 14 | THU658-A | Threaded Rod (2 pieces) |
| 15 | THU649-A | Toilet Mounting set (2 sets) |
| 16 | THU606 | Gasket for Elbow Inlet Pipe (5 pieces) |
| 17 | THU489-A | Toilet Inlet Pipe |
| 18 | THU548 | Upper Bracket |
| 19 | THU484-A | Toilet Flange Pipe |
| 20 | THU490-A | Elbow Outlet Pipe |
| 21 | THU561 | Gasket for Elbow Outlet Pipe (5 pieces) |
| 22 | THU560 | Lower Bracket |
| 23 | THU794* | Washlet Connection Kit for WT173MA |
| | THU805* | Washlet Connection Kit for WT173M |
| 24 | THU343* | 2x4 Outlet Drain Kit |

Note:

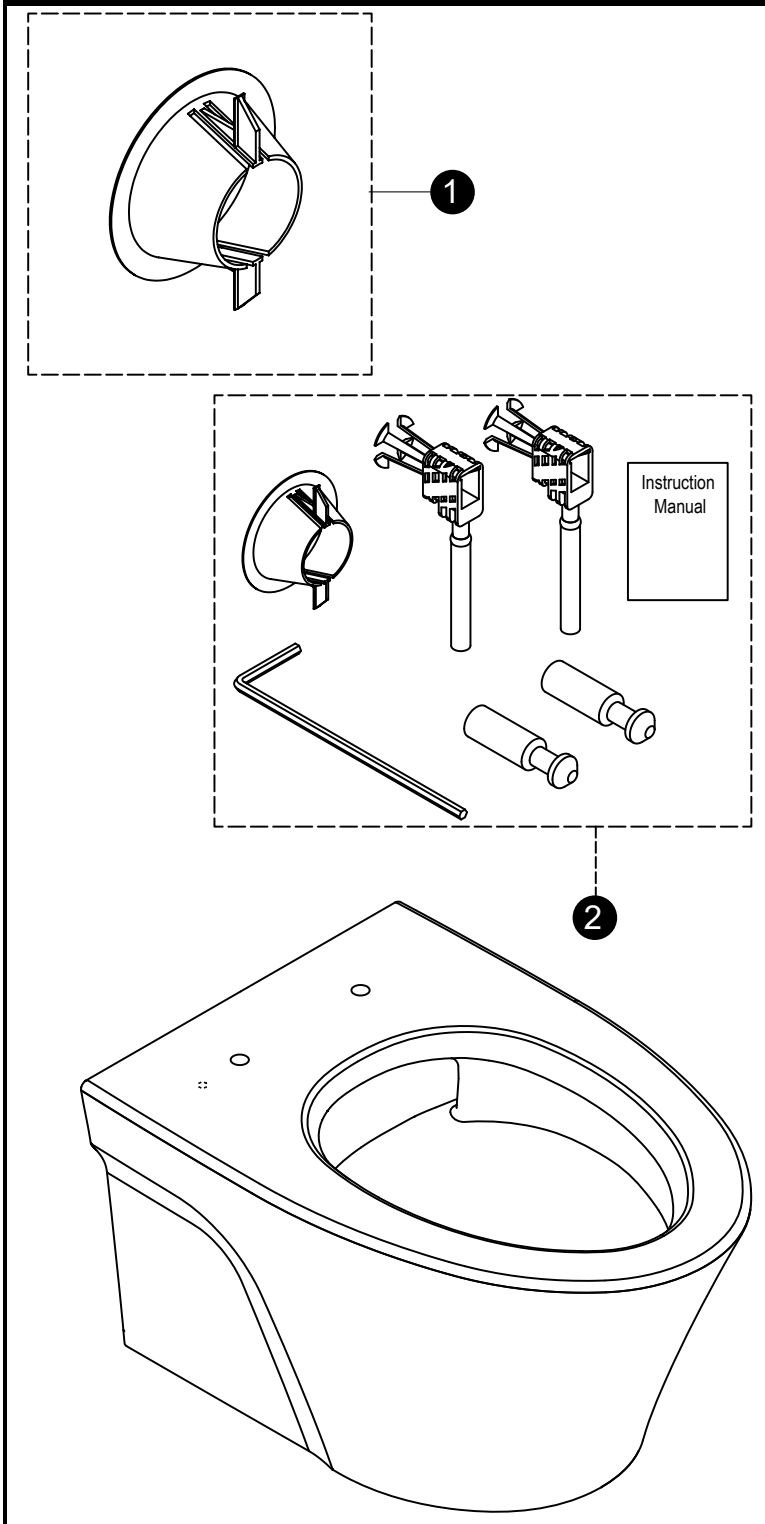
* Item sold separately.

Product Number Explanations

(WT) InWall Tank
 (173) Model number
 (M) Dual Flush
 (A) Auto Flush

Actual Product may vary slightly from illustration.

AP Elongated
Wall Hung Toilet
CEFIONTECT®
WASHLET®+



| Item | Part | Description |
|------|----------|---------------------------|
| 1 | 9AU323-A | Pressure Loss Ring |
| 2 | THU754-A | Wall Hung Bowl Spare Part |

Note:

Product Number Explanations

(CT) Bowl
(426) Toilet Model
(C) TORNADO FLUSH®
(M) DUAL-MAX®
(F) Universal Height
(G) CEFIONTECT®
(T40) WASHLET®+

Actual Product may vary slightly from illustration.