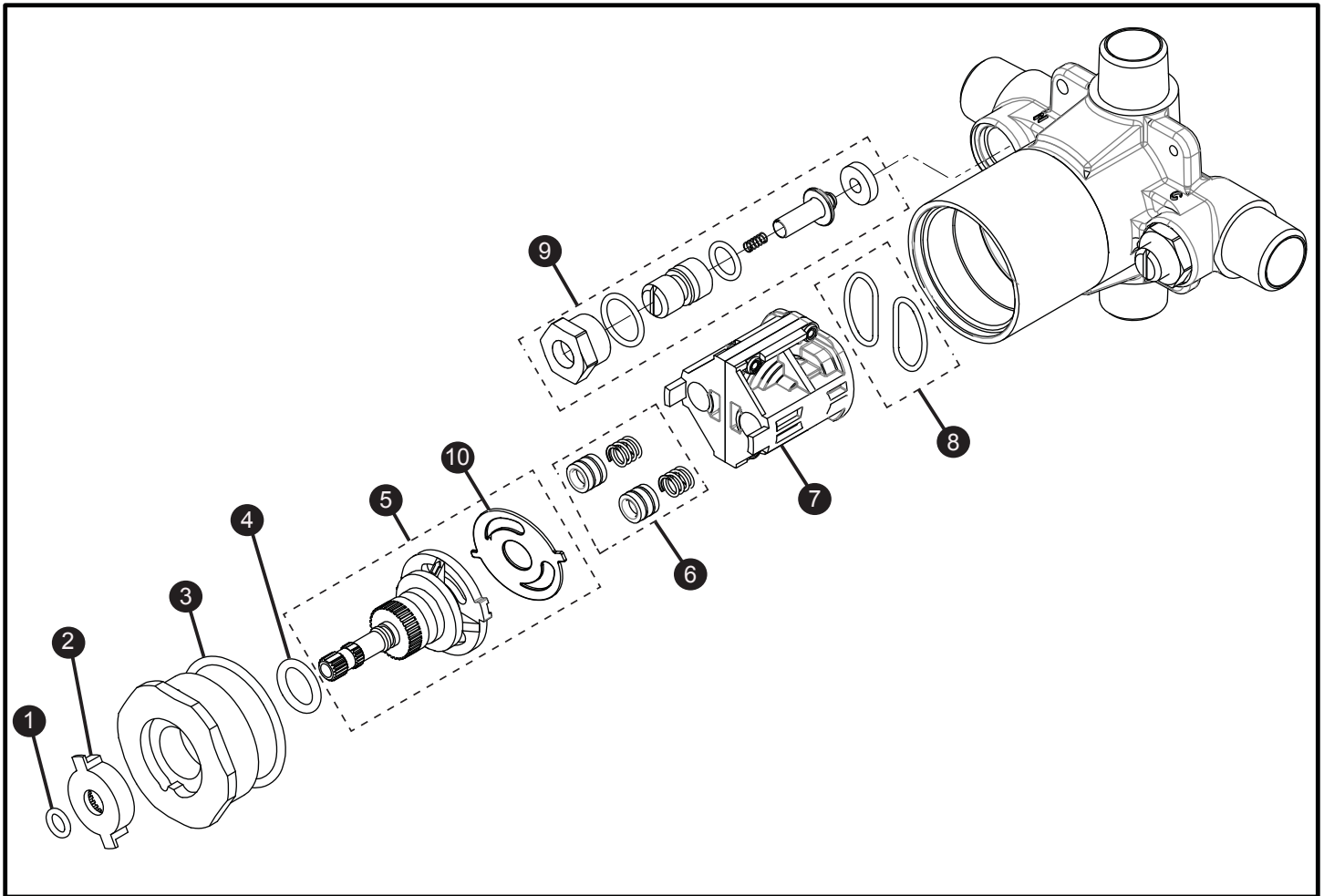
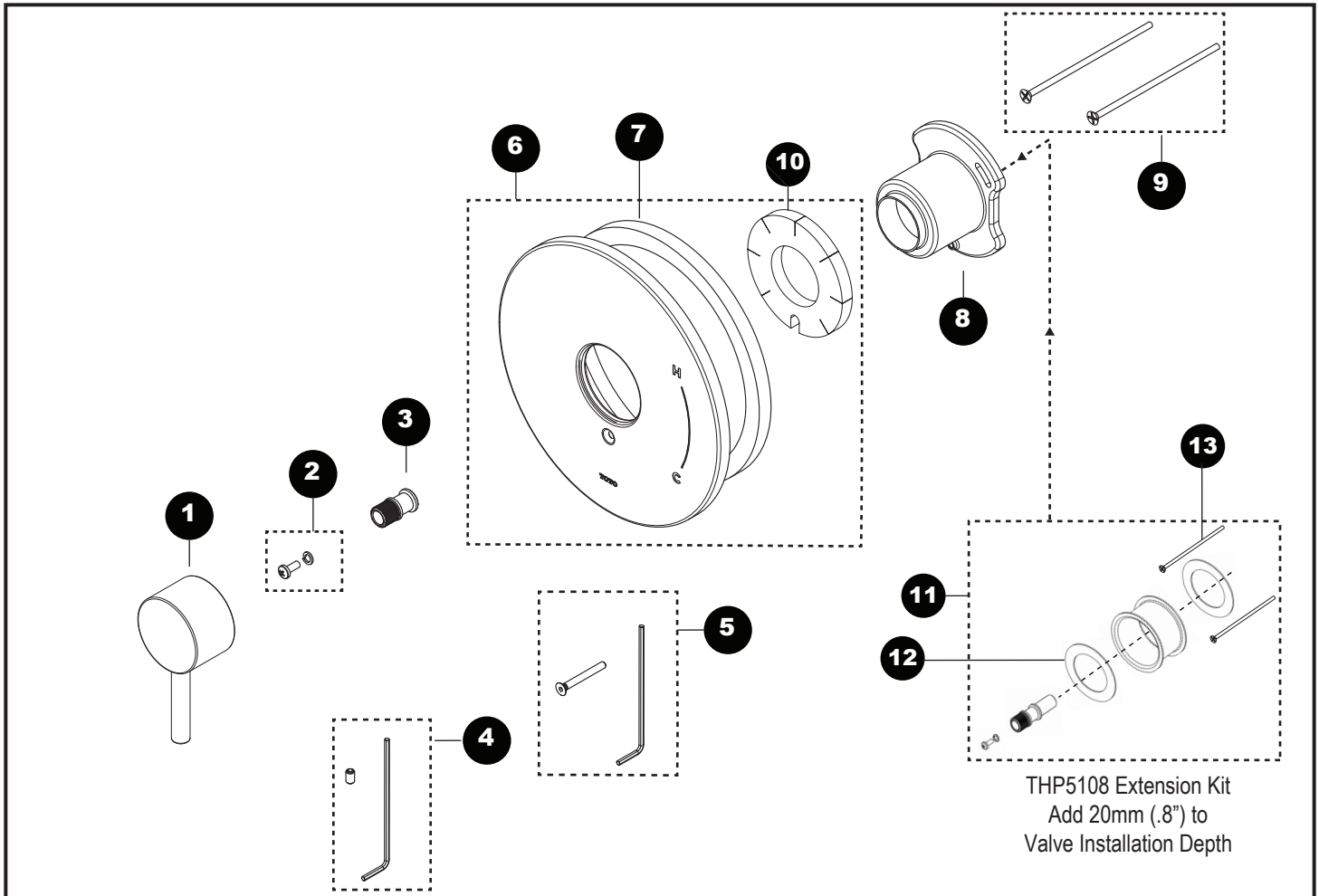


Pressure Balance Valve



Part	Description	Included Parts
THP4805	Major Repair Kit	1, 2, 3, 4, 5, 6, 7, 8
THP4806	Minor Repair Kit	1, 3, 4, 6, 8
THP4807	Check/Stop Valve Kit (2 sets)	9
THP5083	Mixing Plate, Low Pressure Inst.	10

Pressure Balance Valve Trim - Round



Item	Part	Description
1	THP5593#\$\$	Handle
2	THP4825	Screw and lock washer
3	THP5105	Adapter
4	THP4968	Setscrew and Allen wrench
5	THP5104	Screw and Allen wrench
6	THP5102#\$\$	Escutcheon with gaskets
7	THP5392	Gasket
8	THP5106#\$\$	Collar
9	THP5391	2.5" Screws (2pc)
10	THP5107	Gasket
11	THP5108	Extension Kit Set
12	THP5469	Gasket
13	THP4837	4" Screws (2pc)

\* Please specify finish when ordering

LEGEND
\$\$ = Denotes Finish
#CP = Polished Chrome
#BN = Brushed Nickel
#PN = Polished Nickel