

## Pressure Balance Valve Trim - Round

### FEATURES

- Clean & simple design trim made of durable brass in a reflective chrome finish
- Lever handle
- ADA Compliant
- For use with Pressure Balance Valve model TSPTM

### COLORS/FINISHES

- #CP Polished Chrome
- #BN Brushed Nickel
- #PN Polished Nickel

### CODES/STANDARDS

- Meets or exceeds ASME A112.18.1/CSA B125.1
- Certifications: IAPMO(cUPC), State of Massachusetts, City of Los Angeles, and others
- Code compliance: UPC, IPC, NSPC, NPC Canada, and others
- ADA compliant



### PRODUCT SPECIFICATION

Pressure balance valve trim shall have a lever handle. Product shall be TOTO Model TBV01801U and required valve shall be TSPTM (sold separately).

### OPTIONAL ACCESSORIES

- THP5108 - Extension Kit Oberon

# TBV01801U

## Pressure Balance Valve Trim - Round

### SPECIFICATIONS

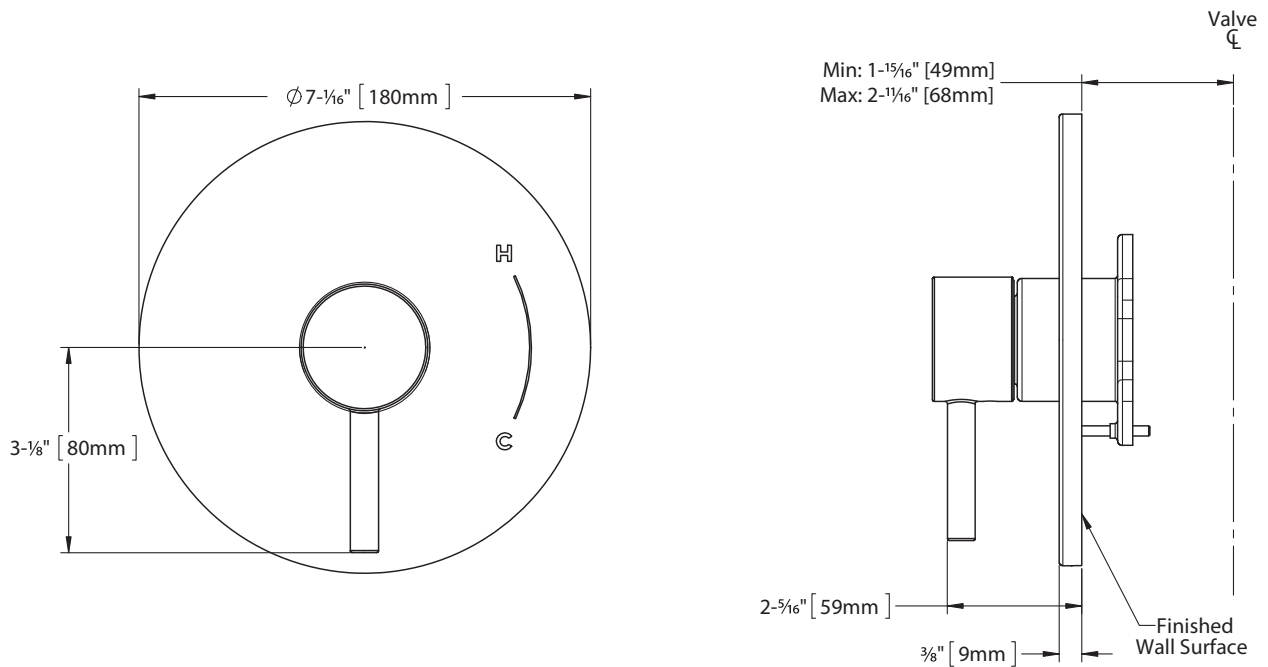
<b>Material</b>	Brass & Zinc
<b>Warranty</b>	Limited Lifetime for Residential Use One Year for Commercial Use
<b>Shipping Weight</b>	3 lbs
<b>Shipping Dimensions</b>	8-1/2"L x 7-1/2"W x 5-1/2"H

### INSTALLATION NOTES

VALVE REQUIRED: Pressure balancing valve model TSPTM (sold separately).

### DIMENSIONS

#### TBV01801U



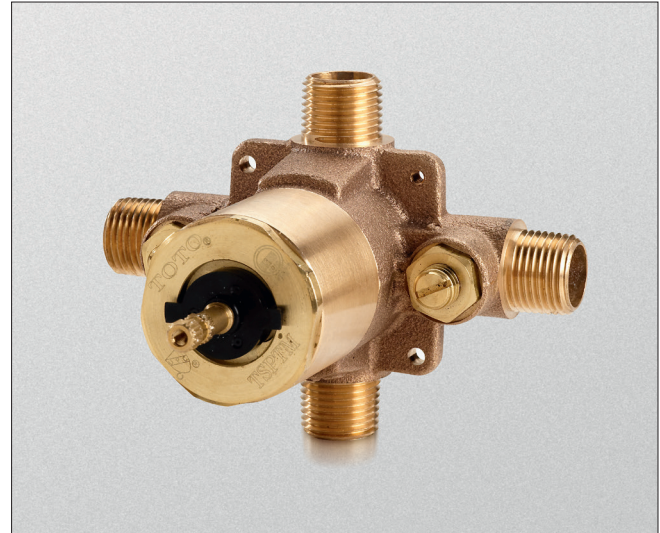
## Pressure Balancing Valve

### FEATURES

- Corrosion resistant
- Anti-scald valve
- Adjustable temperature limit stop
- Tub port for use with diverter tub spout
- Integral shut-offs / check valves
- 1/2" NPT / sweat connections
- Back-to-back installation compatible without cross-over piping
- Optimized for minimum flow rate of 1.5 gpm (5.7 lpm)

### CODES/STANDARDS

- Meets or exceeds ASME A112.18.1/CSA B125.1, ASSE 1016
- Certifications: IAPMO(cUPC), State of Massachusetts, City of Los Angeles, and others
- Code Compliance: UPC, IPC, NSPC, NPC Canada, and others



### PRODUCT SPECIFICATION

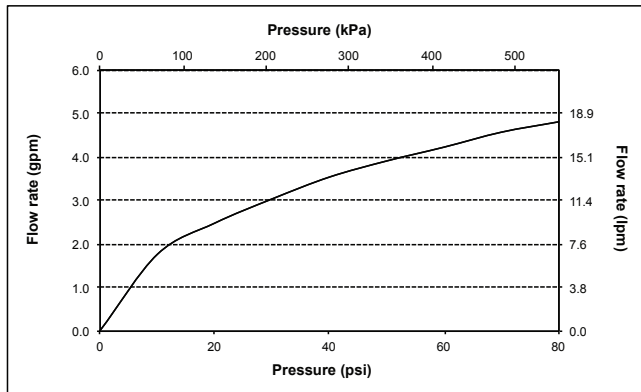
Pressure balancing valve shall have anti-scald protection and an adjustable temperature limit stop. Valve shall have tub port for use with diverter tub spout. Valve shall have integral shut-offs / check valve. Valve shall have 1/2" NPT / sweat connections. Valve model shall be TSPTM. Requires pressure balance trim.

# TSPTM

## Pressure Balancing Valve

### SPECIFICATIONS

- Recommended Operating Pressure 20 psi - 80 psi
- Warranty Lifetime Limited Warranty (Residential Use)  
One Year (Commercial Use)
- Material Brass
- Shipping Weight 2.6 lbs.
- Shipping Dimensions 5"L x 5"W x 4-7/8"W



\*Measured with tub spout TS210EV

### INSTALLATION NOTES

#### TRIM REQUIRED:

Pressure balance trim sold separately.

Tub spout must be installed 12" ± 1" below valve center.

The showerhead must be installed 40" or more above valve center.

