

## MiniUnit™ Universal Rough-In Box

### FEATURES

- Universal rough-in to allow easy customization of valves and trims without removing walls
- Corrosion resistant solid brass valve body
- Intuitive 360 degree box design to minimize installation error
- 1" tolerance adjustable to thinner or thicker walls
- Compact body measured at 4.4" diameter and weighted 1.6lbs for an effortless installation
- **Requires volume control valve or positive shut off valve**

### COMPATIBLE TRIMS & VALVES

- TBV01406U
- TBV01407U
- TBV01408U
- TBV02401U
- TBV02403U
- TBV02404U
- TBV02405U
- TBV02406U



### CODES/STANDARDS

- Meets or exceeds ASME A112.18.1/CSA B125.1
- Certifications: IAPMO(cUPC), State of Massachusetts, City of Los Angeles, and others
- Code Compliance: UPC, IPC, NSPC, NPC Canada, and others
- Complies with CA Prop 65 warning requirements



### PRODUCT SPECIFICATION

MiniUnit universal rough-in shall have corrosion resistant solid brass body. Product shall be approximately 4.4" in diameter and 1.6lbs in weight. Product shall have 1" adjustability for easier installation.

# TBN01001U

## MiniUnit™ Universal Rough-In

### SPECIFICATIONS

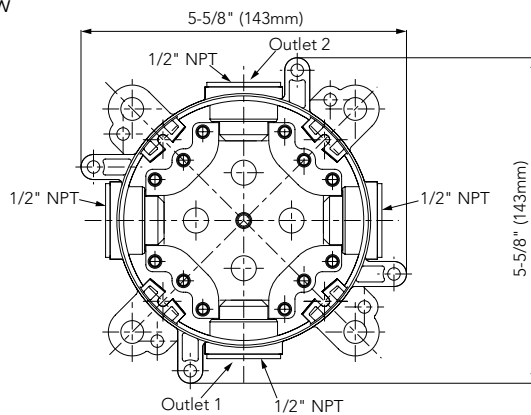
<b>Material</b>	Brass
<b>Warranty</b>	Limited Lifetime (Residential Use) One Year (Commercial Use)
<b>Shipping Weight</b>	3 lbs
<b>Shipping Dimensions</b>	11-3/4" x 7-3/4" x 6-3/4"

### INSTALLATION NOTES

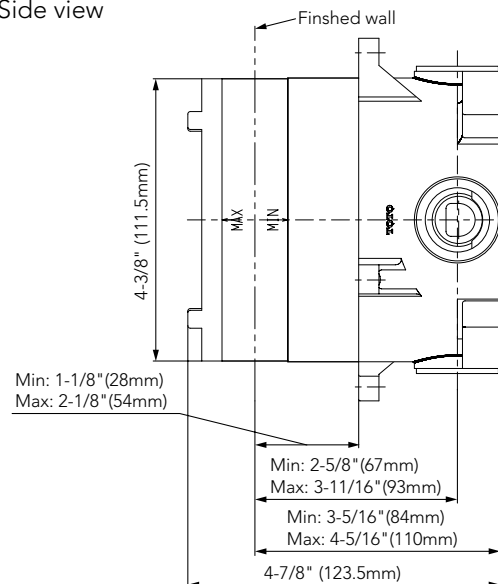
Requires volume control valve or positive shut off valves and trims (sold separately- refer to Compatible Trims and Valves Section).

### DIMENSIONS

Front view



Side view



**TOTO**

Ph: (888) 295-8134 | Fax: (800) 699-4889 | www.totousa.com | © TOTO USA

These dimensions and specifications are subject to change without notice

#SS-01310 v.01

## Thermostatic Mixing Valve with Two-Way Diverter Trim - Square

### FEATURES

- For use with MiniUnit™ (TBN01001U)
- Unobtrusive twist assist for a clean aesthetic
- Meets 2018 California water efficiency CEC leakage regulations
- Thin escutcheon at approximately 10mm
- ASSE certified Safety Thermo™ (SMA) Thermostatic Mixing Valve

### COLORS/FINISHES

- #CP Polished Chrome
- #PN Polished Nickel
- #BN Brushed Nickel

### OPTIONAL ACCESSORIES

- **THP5466#(CP, PN, BN)**  
Thermostatic Mixing Valve ADA Handle - Polished Chrome, Polished Nickel, Brushed Nickel
- **THP5467#(CP, PN, BN)**  
Volume Control/Diverter ADA Handle - Polished Chrome, Polished Nickel, Brushed Nickel

### PRODUCT SPECIFICATION

Product shall be TOTO Model TBV02404U#\_\_\_\_.  
Product shall require TBN01001U MiniUnit (sold separately). Product shall be a temperature control valve and trim with anti-scald safety stop. Product shall be ASSE certified.



### Safety Thermo™ (SMA)

### CODES/STANDARDS

- Meets or exceeds ASSE 1016/ASME A112.1016/CSA B125.16, ASME A112.18.1/CSA B125.1
- Certifications: IAPMO(cUPC), State of Massachusetts, City of Los Angeles, and others
- Code Compliance: UPC, IPC, NSPC, NPC Canada, CEC, and others
- Complies with CA Prop 65 warning requirements



# TBV02404U

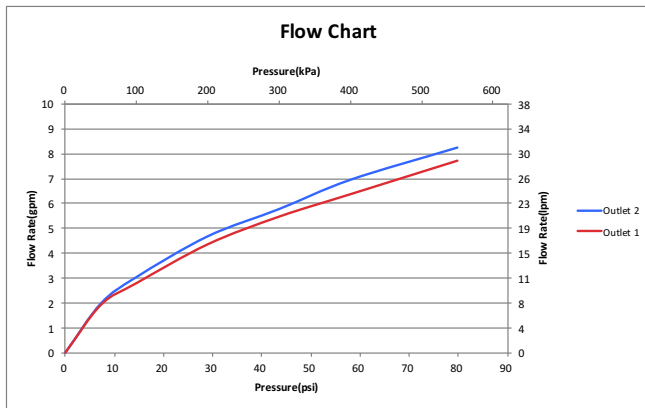
## Thermostatic Mixing Valve with Two-Way Diverter Trim - Square

### SPECIFICATIONS

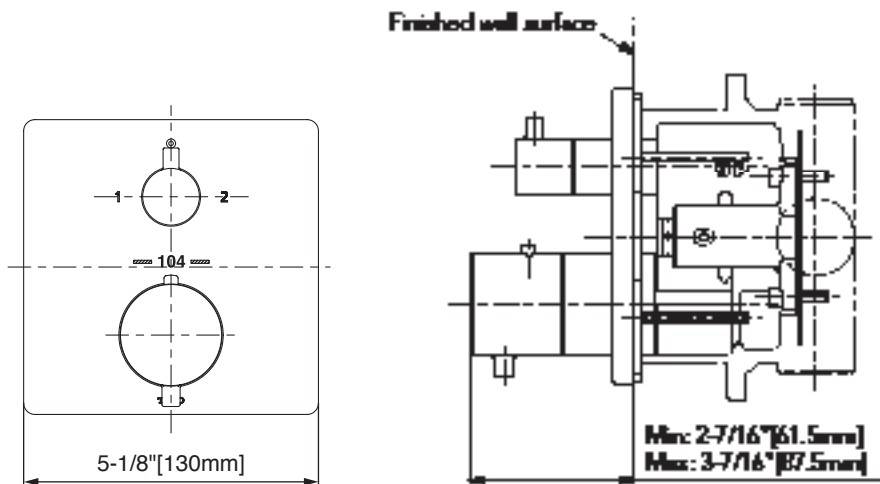
<b>Material</b>	Brass
<b>Warranty</b>	Limited Lifetime (Residential Use) One Year (Commercial Use)
<b>Shipping Weight</b>	5.55 lbs
<b>Shipping Dimensions</b>	9-1/4" x 7-5/8" x 6"

### INSTALLATION NOTES

Requires TBN01001U MiniUnit (sold separately).



### DIMENSIONS



**TOTO**

Ph: (888) 295-8134 | Fax: (800) 699-4889 | www.totousa.com | © TOTO USA

These dimensions and specifications are subject to change without notice

#SS-01301 v.02