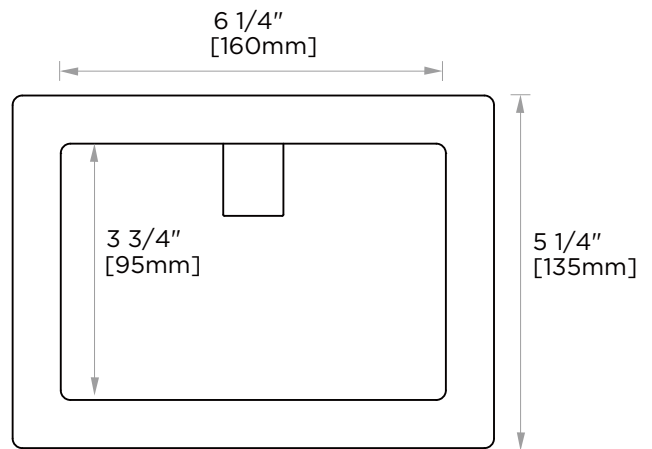
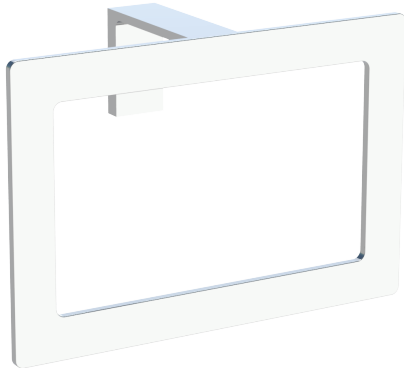




PRODUCT SPECIFICATION SHEET

CHICAGO TOWEL RING

ORD-TRSQ



PRODUCT NAME: CHICAGO TOWEL RING

PRODUCT CODE: ORD-TRSQ

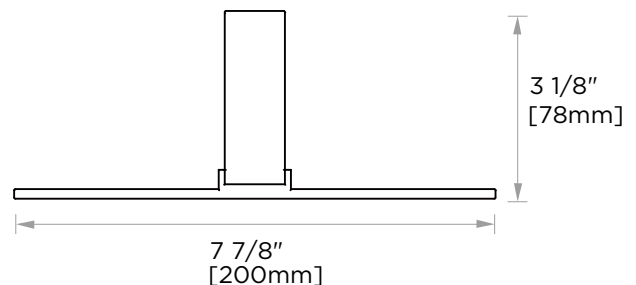
MATERIAL: ZINC
STAINLESS STEEL 304

KEY FEATURES: MODERN DESIGN
ZINC+STEEL COMPOSITION
CAST BACKINGS
WALL MOUNTED

AVAILABLE FINISHES:



- POLISHED CHROME (PC)
- BRUSHED NICKEL (BN)
- MATTE BLACK (MB)



NOTE: Dimensions and specifications are subject to change without notice.