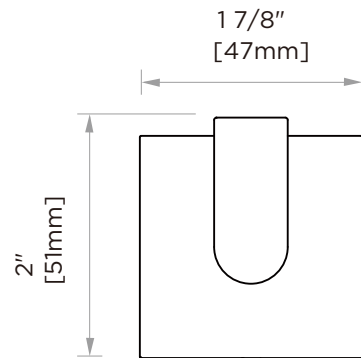
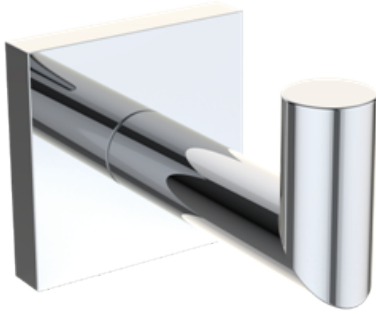




PRODUCT SPECIFICATION SHEET

ATLANTA ROBE HOOK

ATL-RH-1



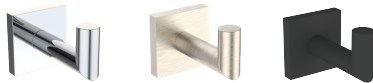
PRODUCT NAME: ATLANTA ROBE HOOK

PRODUCT CODE: ATL-RH-1

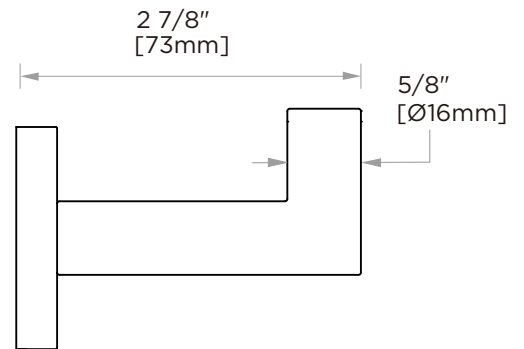
MATERIAL: ZINC
STAINLESS STEEL 304

KEY FEATURES: MODERN DESIGN
ZINC+STEEL COMPOSITION
CAST BACKINGS
WALL MOUNTED

AVAILABLE FINISHES:



- POLISHED CHROME (PC)
- BRUSHED NICKEL (BN)
- MATTE BLACK (MB)



NOTE: Dimensions and specifications are subject to change without notice.