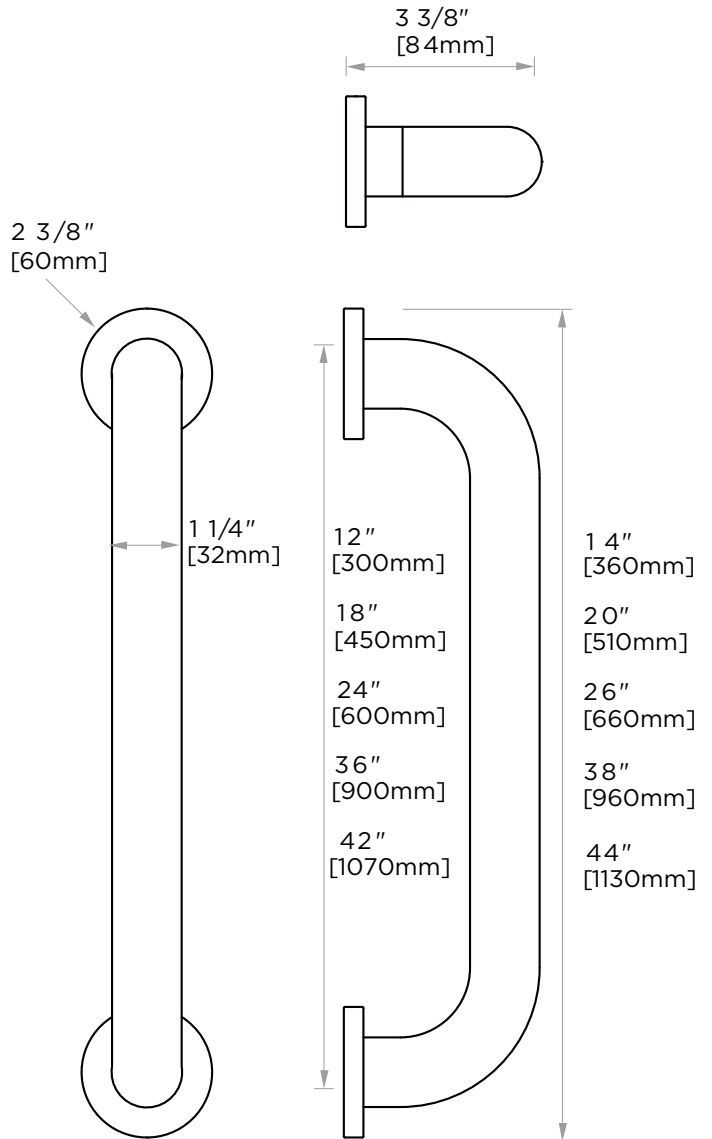
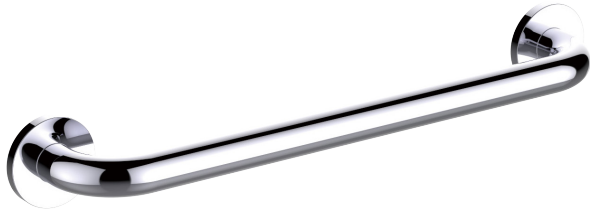




PRODUCT SPECIFICATION SHEET

GRAB BARS

SYD-GB4



PRODUCT NAME: GRAB BARS

PRODUCT CODE: SYD-GB4

MATERIAL: ZINC
STAINLESS STEEL 304

KEY FEATURES: MODERN DESIGN
ZINC+STEEL COMPOSITION
CAST BACKINGS
WALL MOUNTED

AVAILABLE FINISHES:



- POLISHED CHROME (PC)
- BRUSHED NICKEL (BN)
- MATTE BLACK (MB)

NOTE: Dimensions and specifications are subject to change without notice.