



SPECIFICATION SHEET

PORTO PORCELAIN VANITY TOP #1POR36 (1 hole)

FEATURES

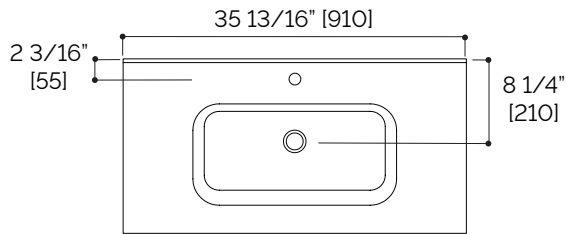
- 1 hole
- High-gloss white porcelain top with integrated washbasin
- Integrated overflow
- Easy maintenance



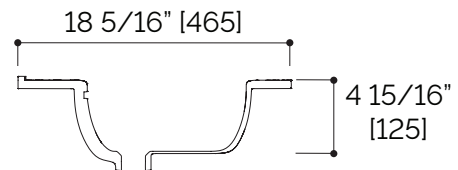
FINISHES



CERTIFICATIONS



TOP



SIDE

StoneTouch cannot be held responsible for any technical or typographical errors or omissions contained within this document and reserves the right to make changes without prior notice.

RUNWAY COLLECTION – VANITIES
#RUN24 – #RUN36 – #RUN48

FEATURES

- Made in Italy
- Marine grade, crafted for resistance to humidity and moisture
- BLUM soft-close drawer system
- Top drawer organizer
- U-shaped top drawer to accommodate p-trap
- Smooth removable mats to protect both drawers
- Luxurious matte charcoal interior
- Carved integrated drawer pulls
- Fluted texture on front panels
- Broaden your options and customize your vanity size by joining 2 units together (hardware included)
- CARB certified, thermo-sculpted MDF panels
- FSC sourced, TSCA compliant (USA and CAN approved)



Note: Vanity top not included, optional legs available

FINISHES



CERTIFICATIONS



VANITY TOP NOT INCLUDED (OPTIONAL)

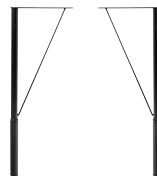


PORTO vanity top



NEVE vanity top

LEG SET NOT INCLUDED (OPTIONAL)

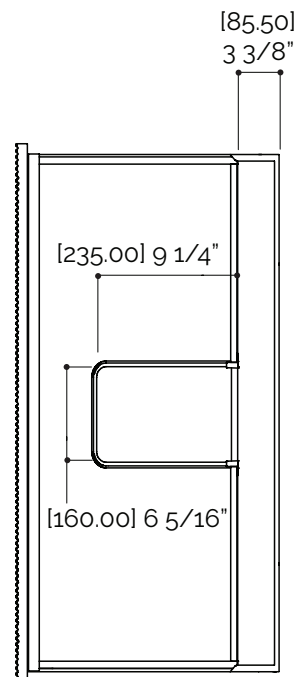
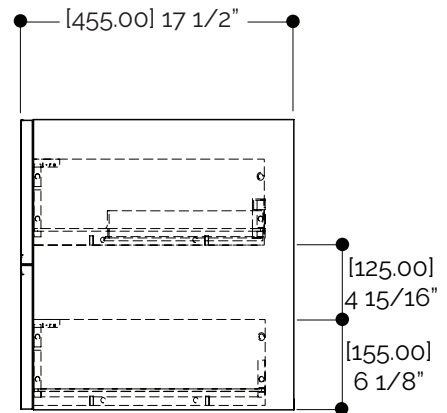
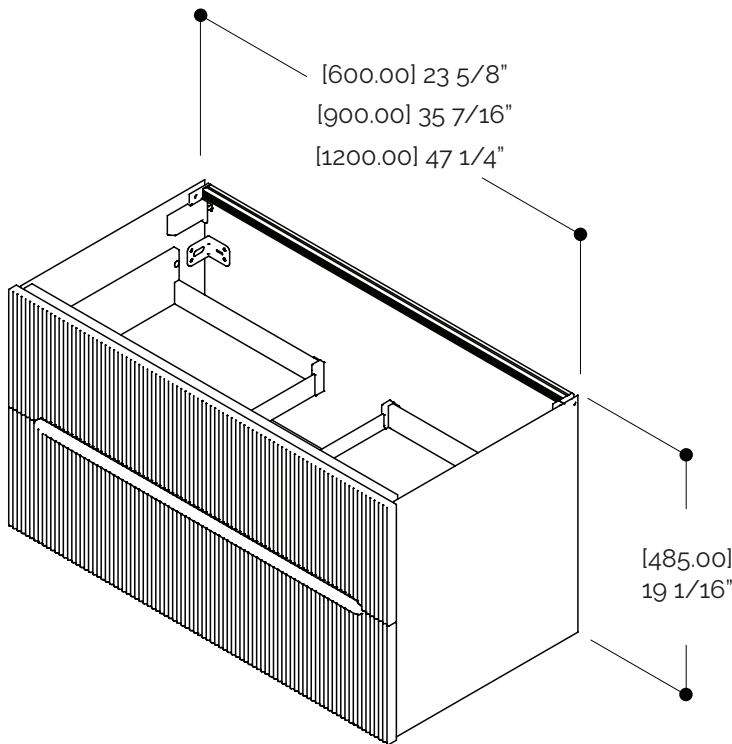


STILETTO leg set
Finish selection available

StoneTouch cannot be held responsible for any technical or typographical errors or omissions contained within this document and reserves the right to make changes without prior notice.

RUNWAY COLLECTION – VANITIES
#RUN24 – #RUN36 – #RUN48

*These vanities require a suitable nailing base under the anchoring points.
For further details, please refer to the installation guide.*



StoneTouch cannot be held responsible for any technical or typographical errors or omissions contained within this document and reserves the right to make changes without prior notice.