

FEATURES:

- Stainless Steel (304)
- Acrylic Seat
- Maximum Load 275 lb

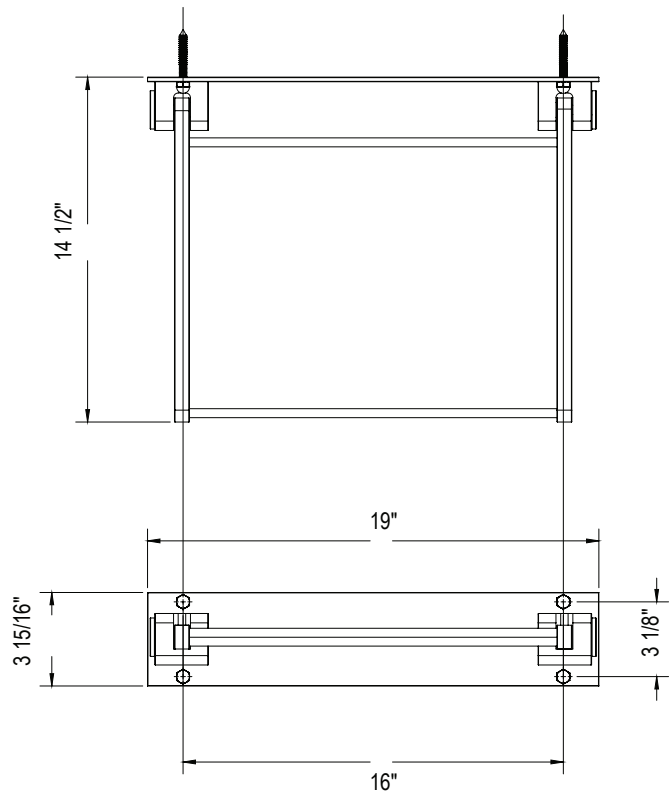
150114

THE **Rubinet** FAUCET COMPANY

ASSEMBLY INSTRUCTION

9HSS1

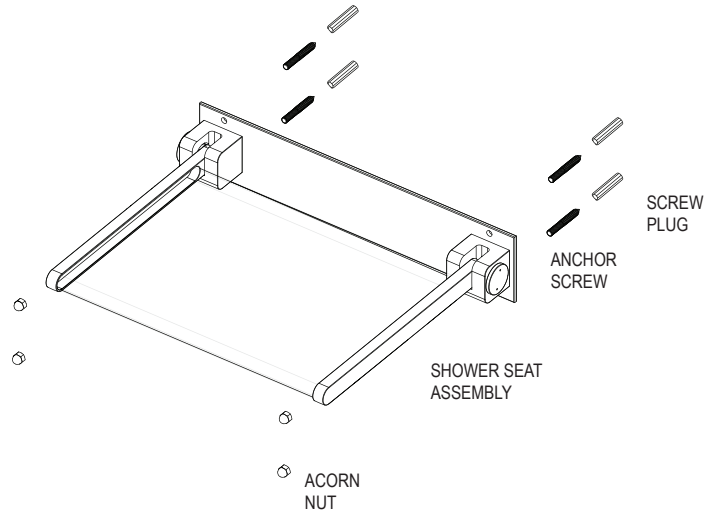
FOLDING SHOWER SEAT



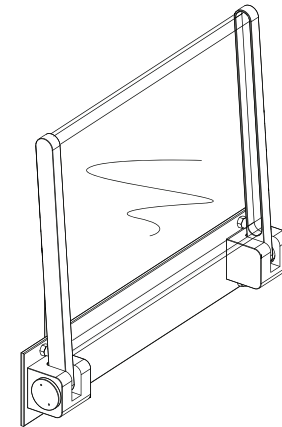
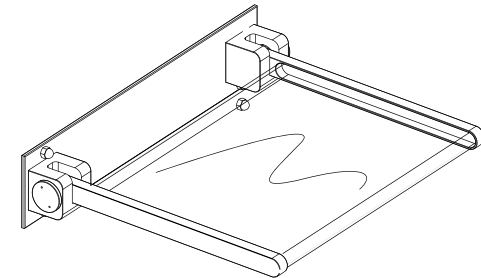
9HSS1

CONTACT US:

If you need assistance with installation, replacement parts or have any questions regarding your Rubinet product, please call a Customer Service representative at: 905-851-6781 toll free 1-800-461-5901 or visit www.rubinet.com



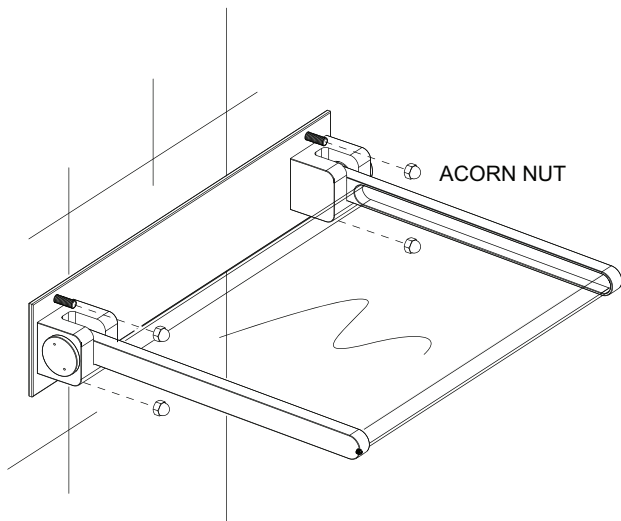
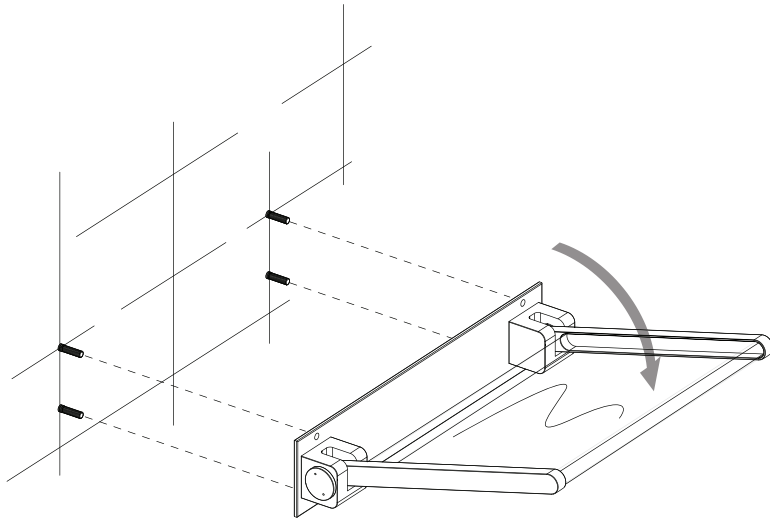
ONCE INSTALLATION IS COMPLETE,
TEST THE SEAT TO MAKE SURE IT IS
SECURLY FASTENED TO THE WALL



FOR CLEANING:

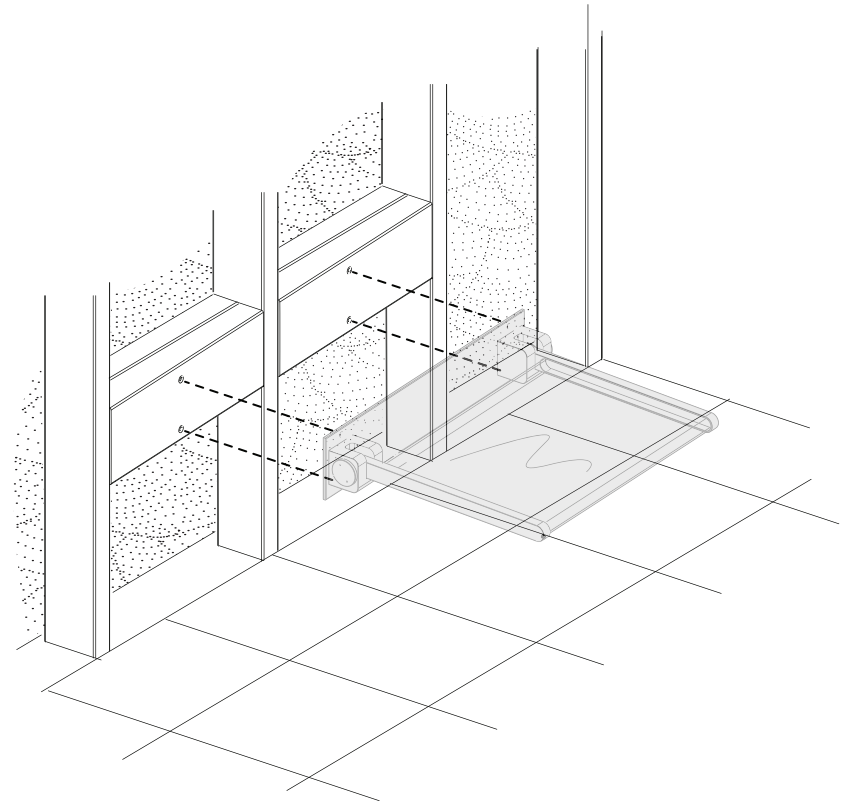
- Never wipe the unit with a dry cloth.
- Use non-abrasive cloth.
- Avoid any cleaner that is corrosive to acrylic seat.
- Never use Windex or similar sprays.

4



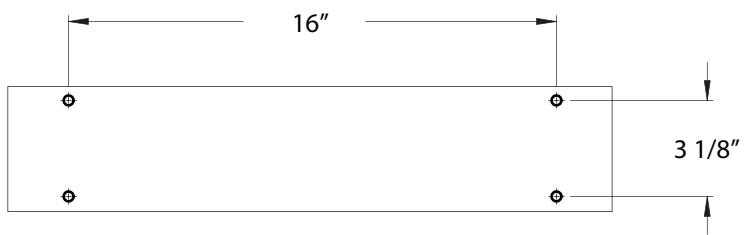
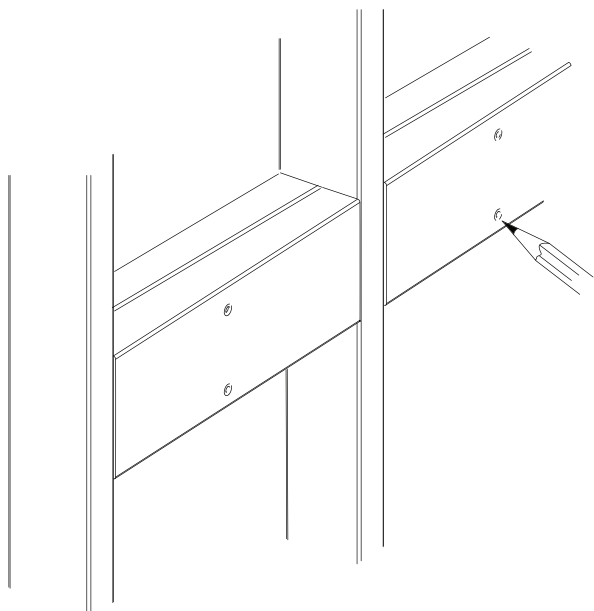
1

- FOR STUD WALL CONSTRUCTION, INSTALL BACKING AS SHOWN
- FOR PREFABRICATED SHOWER STALLS, ADEQUATE BACKING MUST BE PROVIDED
- FOR CONCRETE WALLS, USE PROVIDED ANCHOR SCREW PLUGS

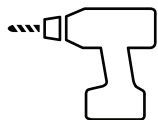


2

MARK THE MOUNTING LOCATION OF THE SEAT AND MAKE SURE IT IS LEVEL.

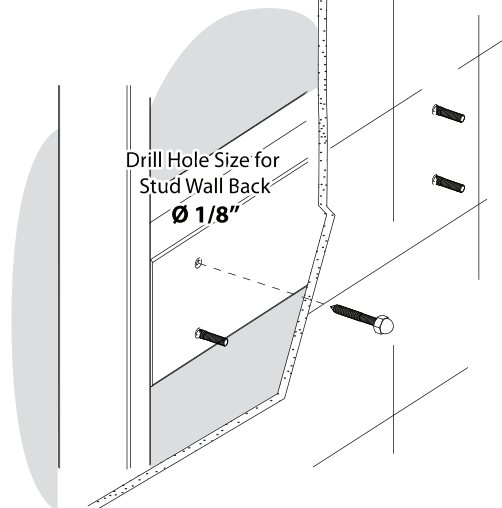


DRILL PILOT HOLES USING Ø 1/8" DRILL SIZE

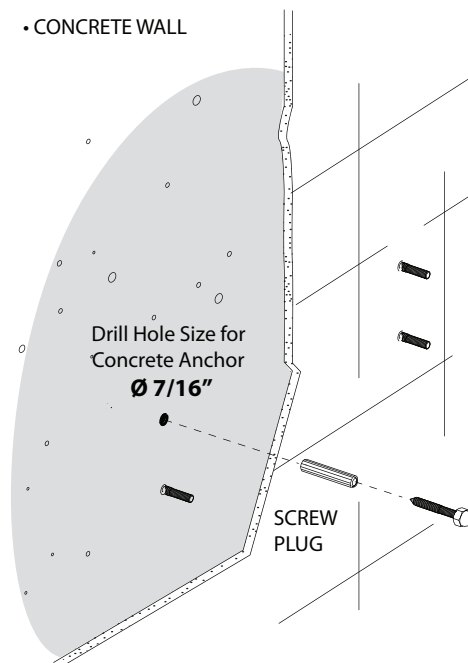


3

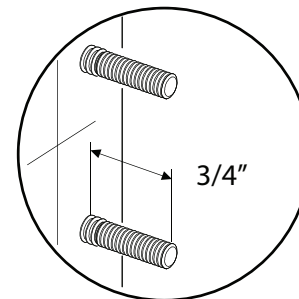
• STUD WALL BACKING



• CONCRETE WALL



SPARE ACORN NUT SUPPLIED FOR DRIVING ANCHORS INTO STUDS



SCREW ANCHOR MUST PROTRUDE FROM THE FINISHED WALL AS SHOWN