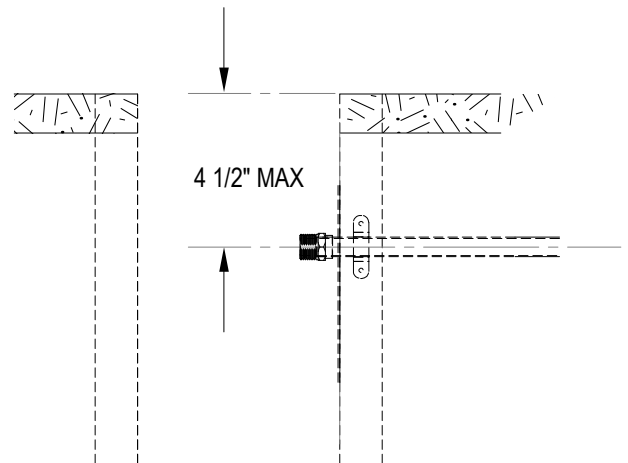
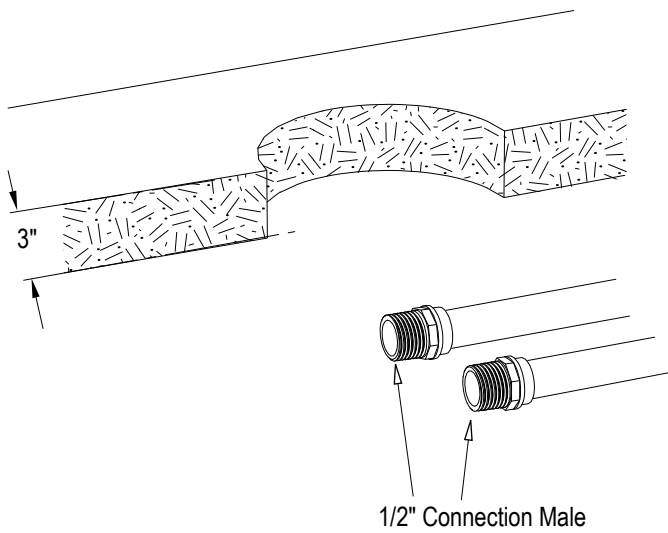
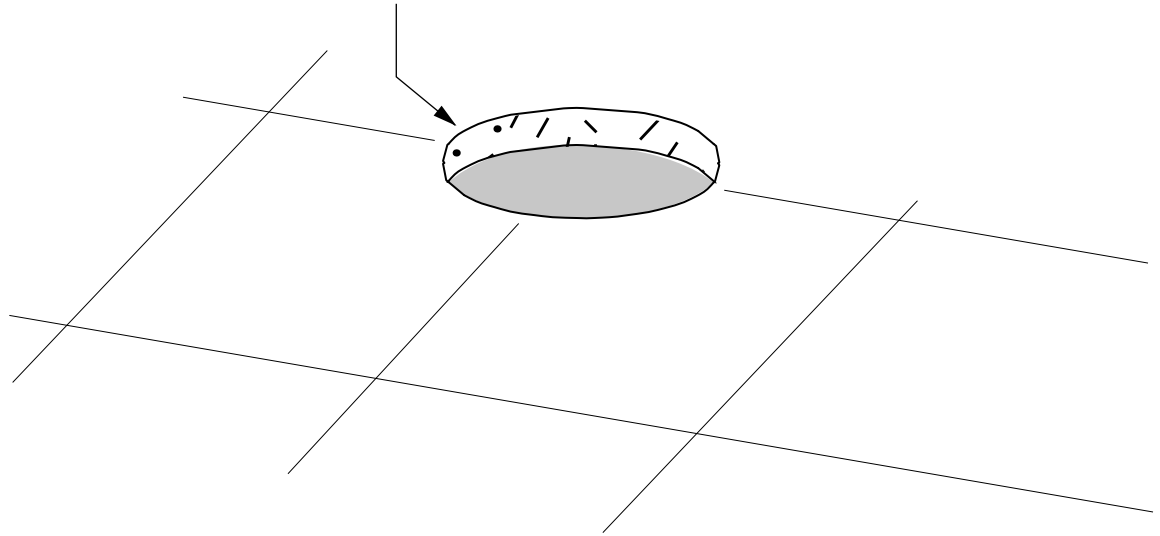
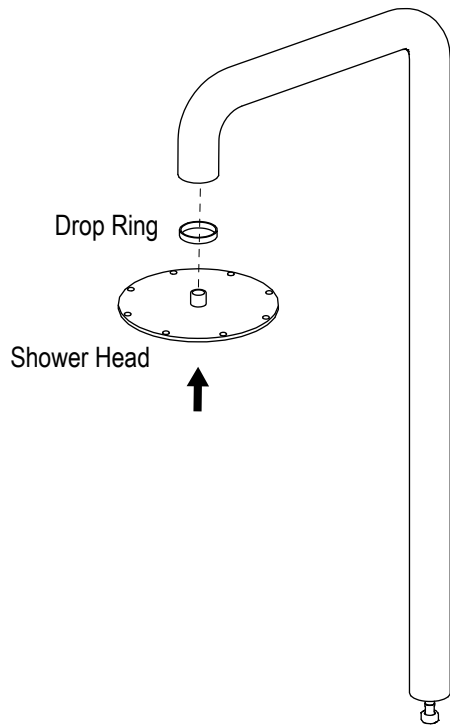


1

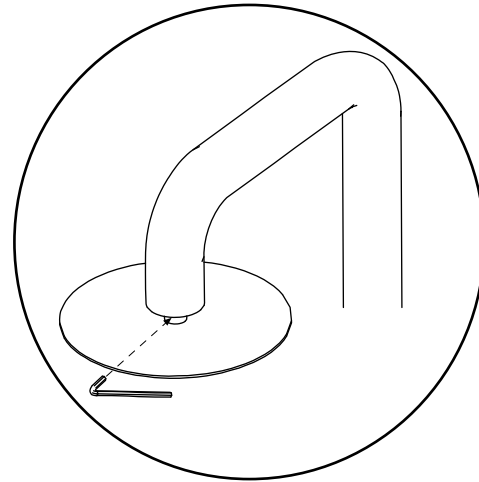
Ø 2 1/2" ~ 3 1/2" HOLE



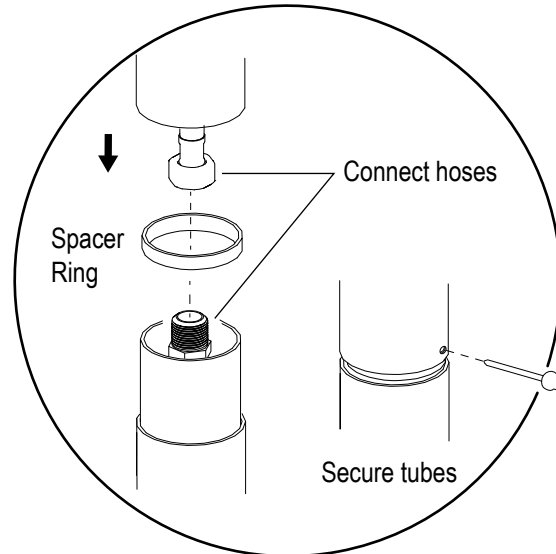
2



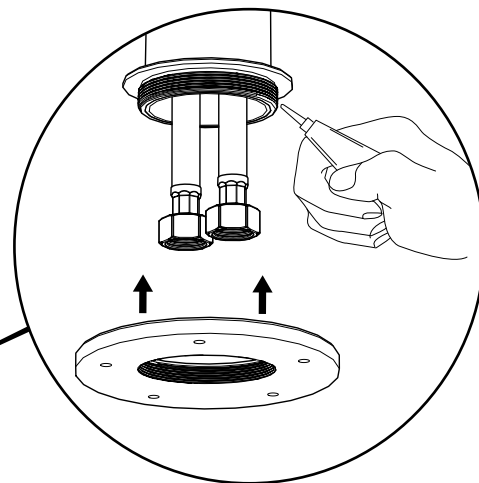
Drop Ring  
Shower Head  
↑



Secure Shower Head on Upper Tube

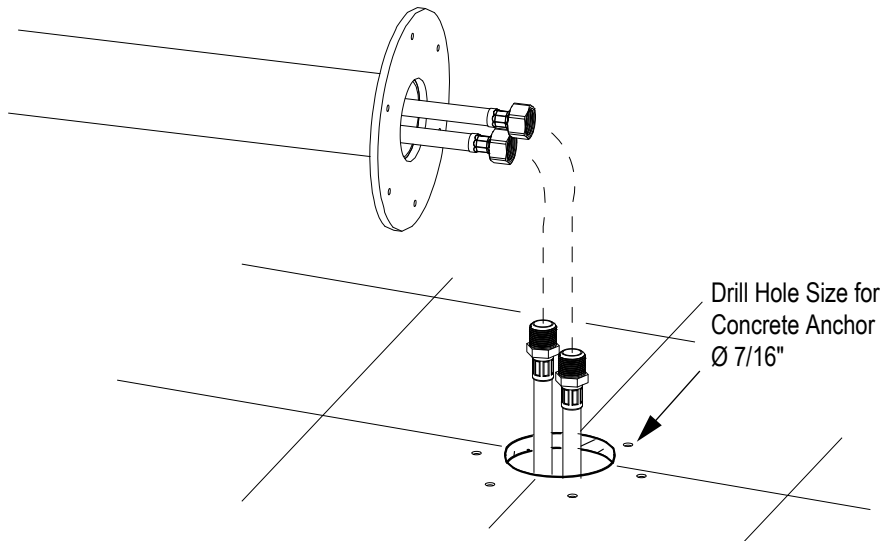


Connect hoses  
Spacer Ring  
Secure tubes  
Phillips Screw Driver

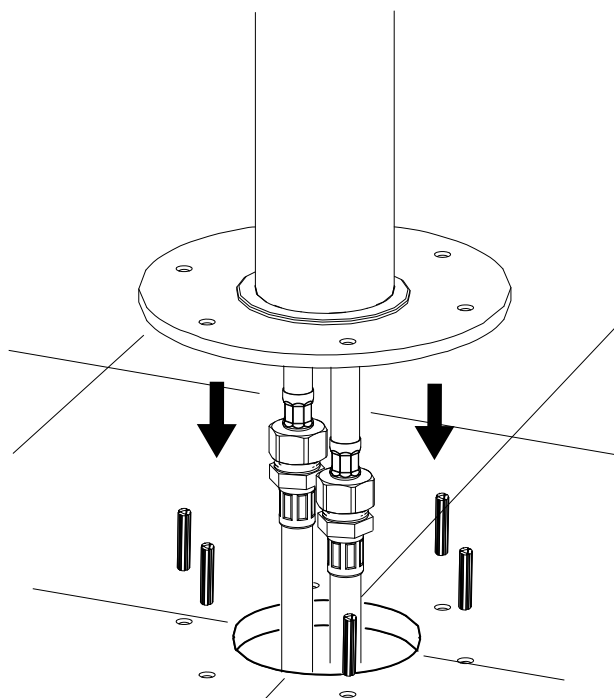
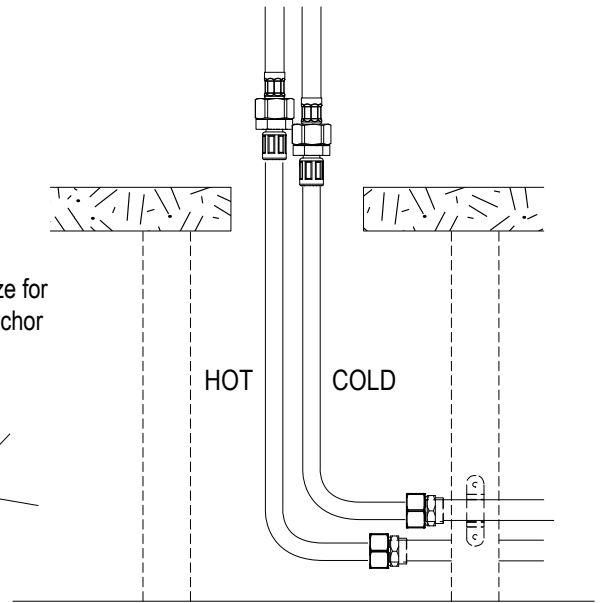


Apply Lock-tite on thread

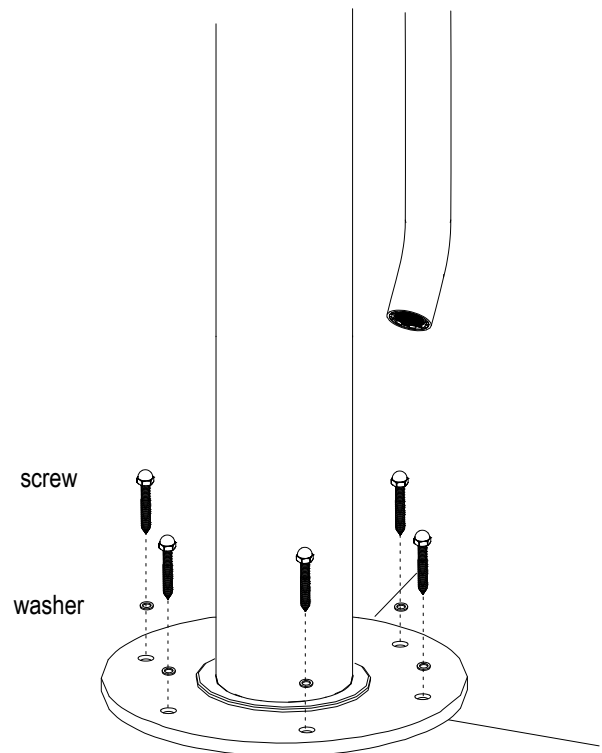
3



Connect the supply hose with the **BLUE** dot to the COLD water pipe.  
Connect the supply hose with the **RED** dot to the HOT water pipe.

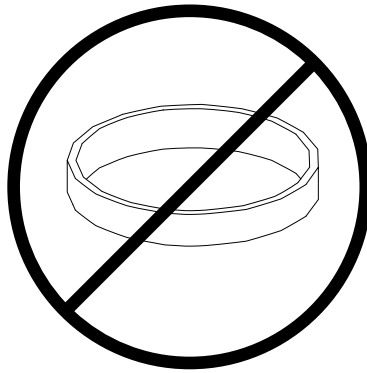
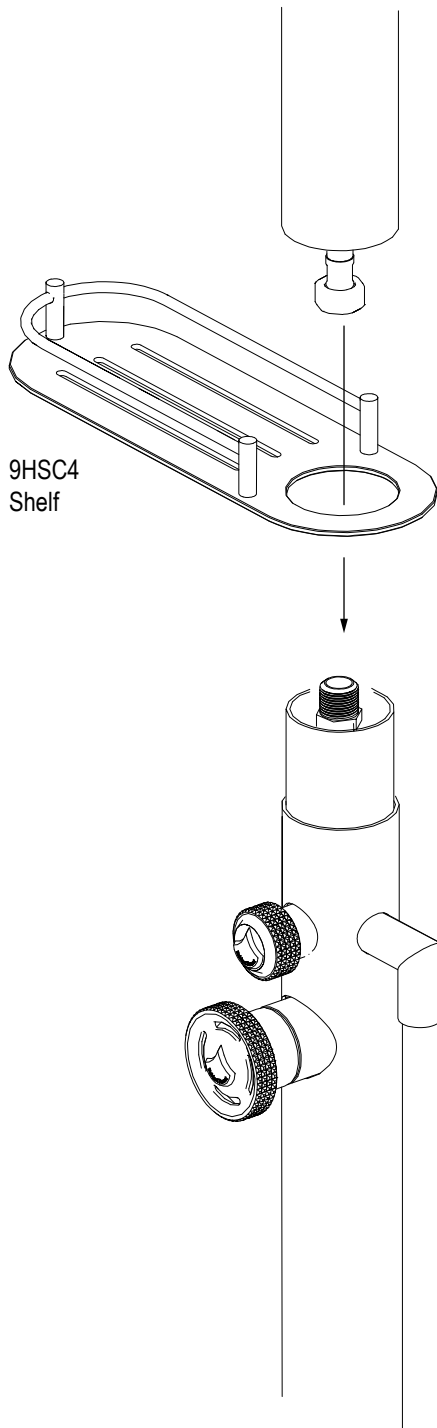


Insert Concrete Anchor into drilled holes



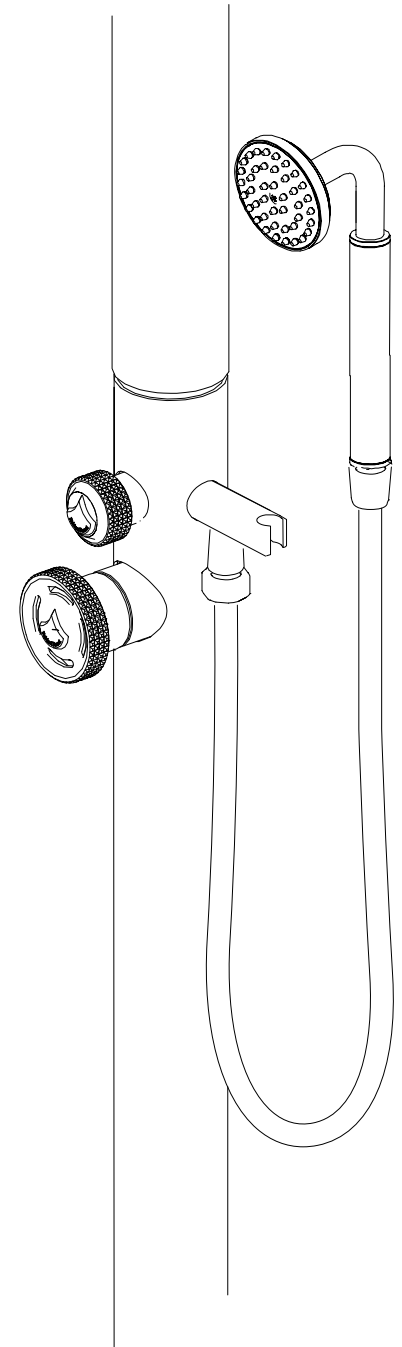
Secure base with screws.

**4** 9HSH3 / 9HSH4  
with Shelf option



Remove Spacer Ring  
when installing shelf

**5** 9HSH2 / 9HSH4  
with Hand Held Shower



**WINTERIZING**

It is recommended that a shut-off valve be installed in the water line going to the outdoor shower connection where freezing temperature can occur. Accessoires can be removed and other parts partially disassembled for complete protection against freeze damage.

**FEATURES:**

- Pressure Balance
  - 10" Shower Head (Flow rate : 2.5 gpm @ 50 psi)
  - Material AISI 316 Stainless Steel
- Conforms to ASTM A312-51T