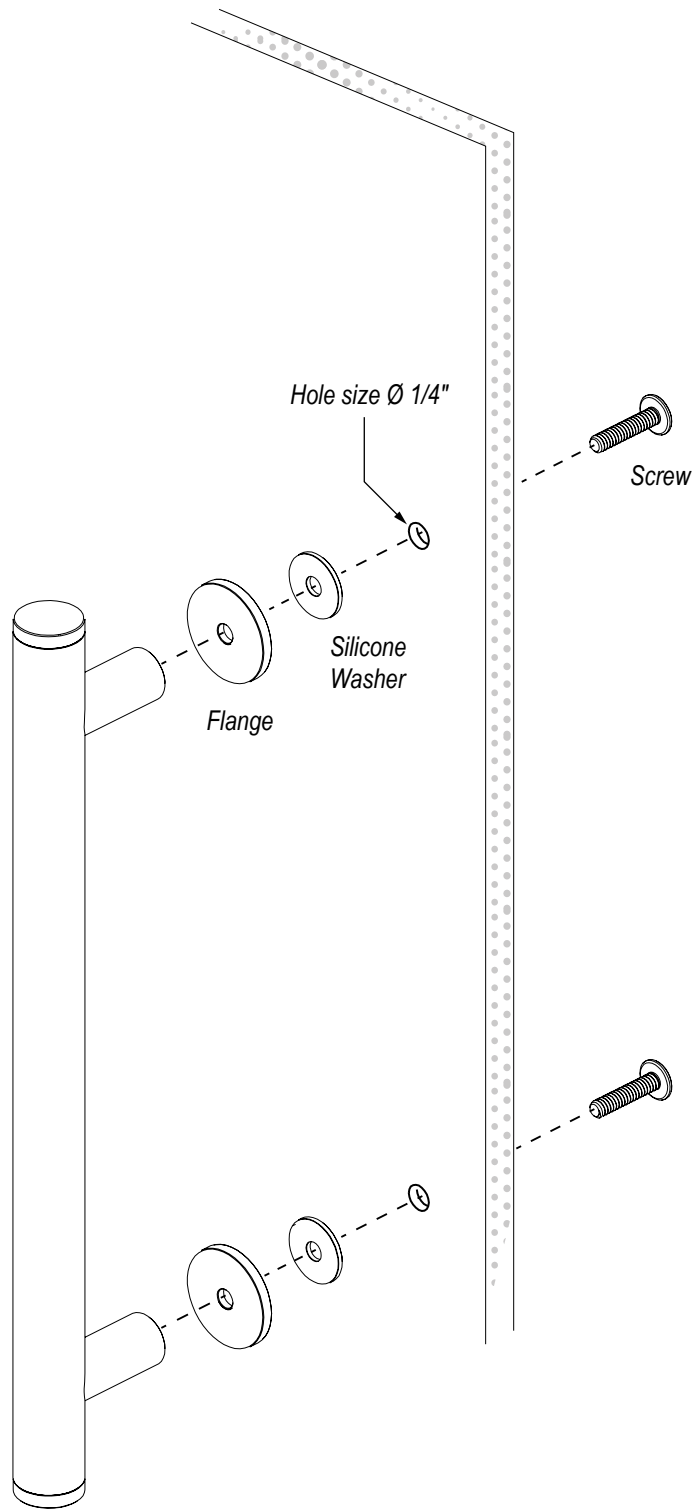


Door Handle Assembly



Features:

- Brass Construction with choice of 25 finishes
- Hole Diameter Required: 1/4" (6 mm)
- Thread Size: 1/4"-20

