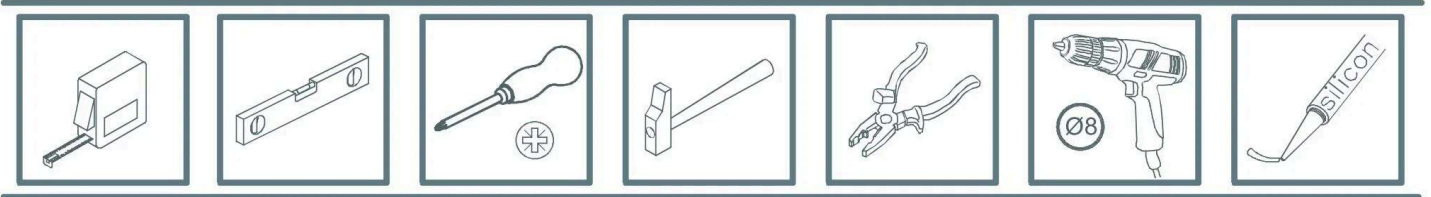
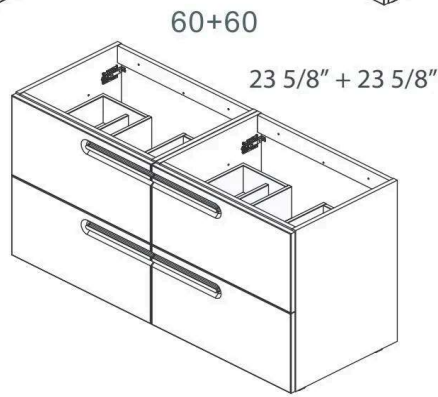
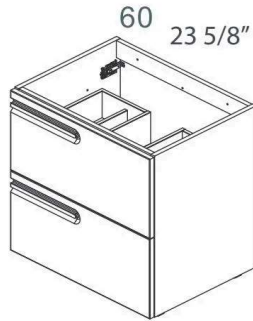


23 5/8" - 31 1/2" - 39 3/8"



60-80-100

23 5/8" - 31 1/2" - 39 3/8"



x2

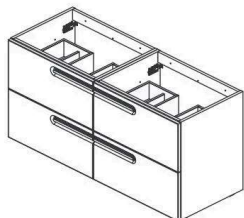
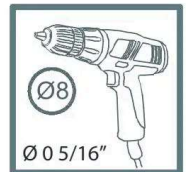


x4



x4

BO-719



60+60

23 5/8" + 23 5/8"



x4



x8



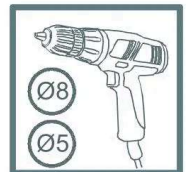
x8



x4

BO-719

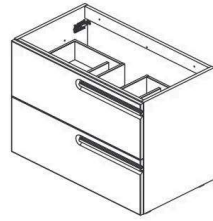
BO-266



01.



cms.

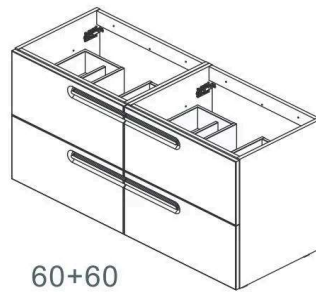
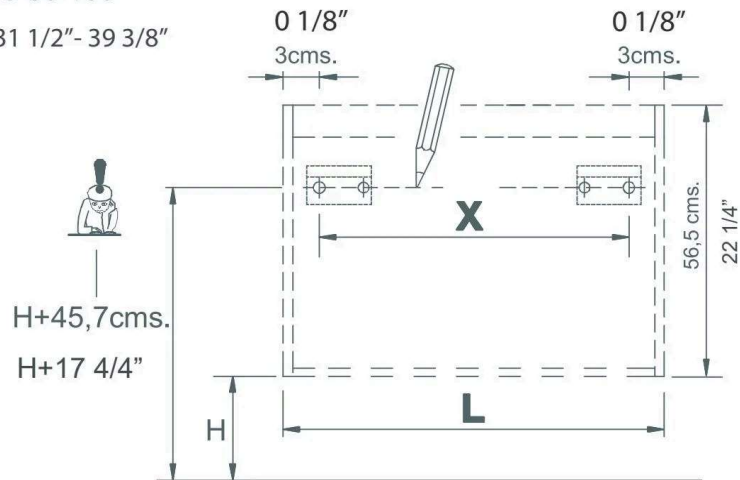


60-80-100

23 5/8" - 31 1/2" - 39 3/8"

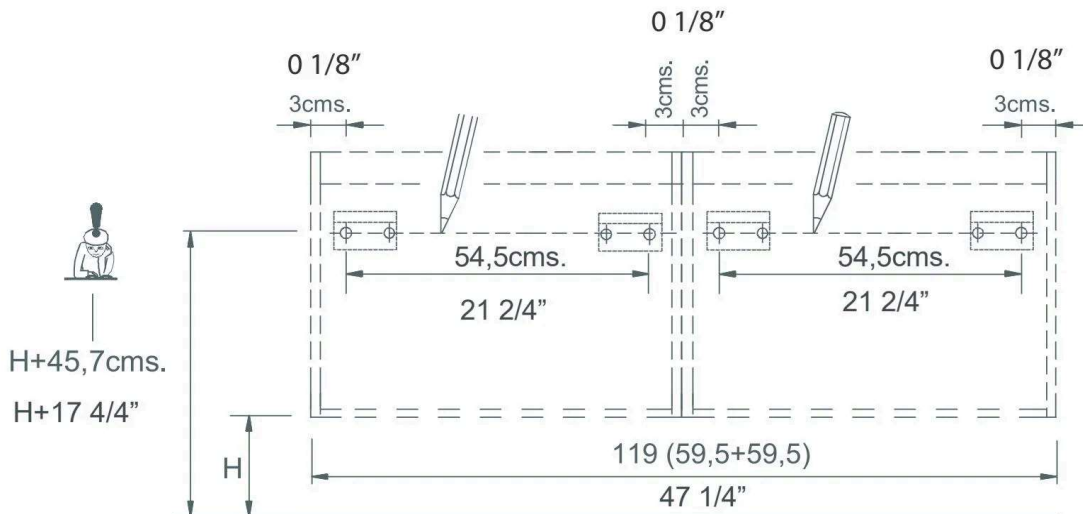
L:59,5cms. → X=53,5cms.
 L:79,5cms. → X=73,5cms.
 L:99,5cms. → X=93,5cms.

L:23 2/4" → X=21 1/16"
 L:31 1/4" → X=28 15/16"
 L:39 1/4" → X=36 13/16"



60+60

23 5/8" + 23 5/8"



02.



23 5/8" - 31 1/2" - 39 3/8"

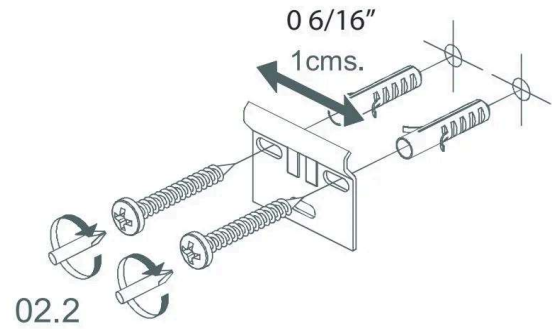
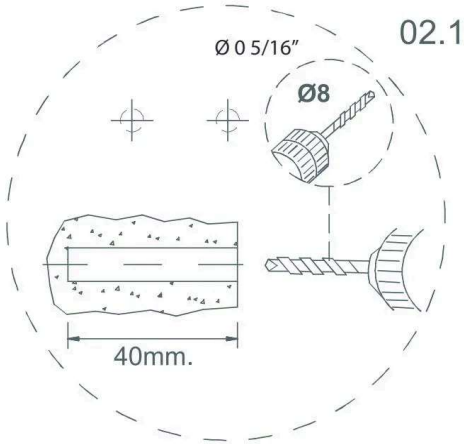
MLV-60/80/100 ——— x2 x4 x4

MLV-60+60 ——— x4 x8 x8

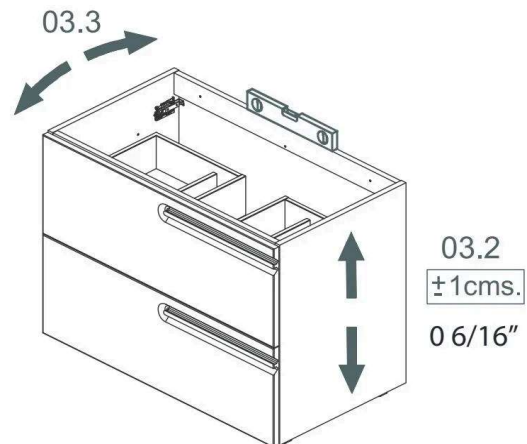
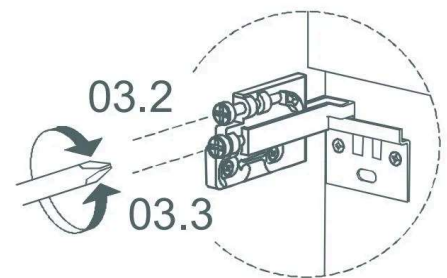
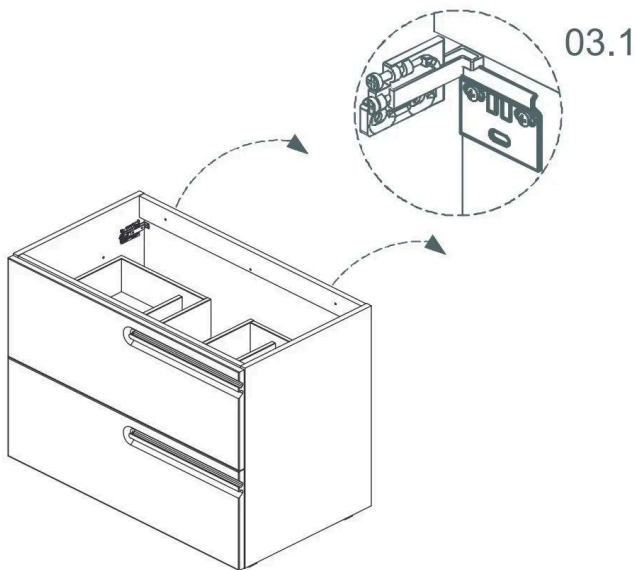
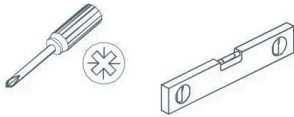
23 5/8" + 23 5/8"



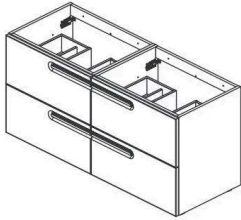
BO-719



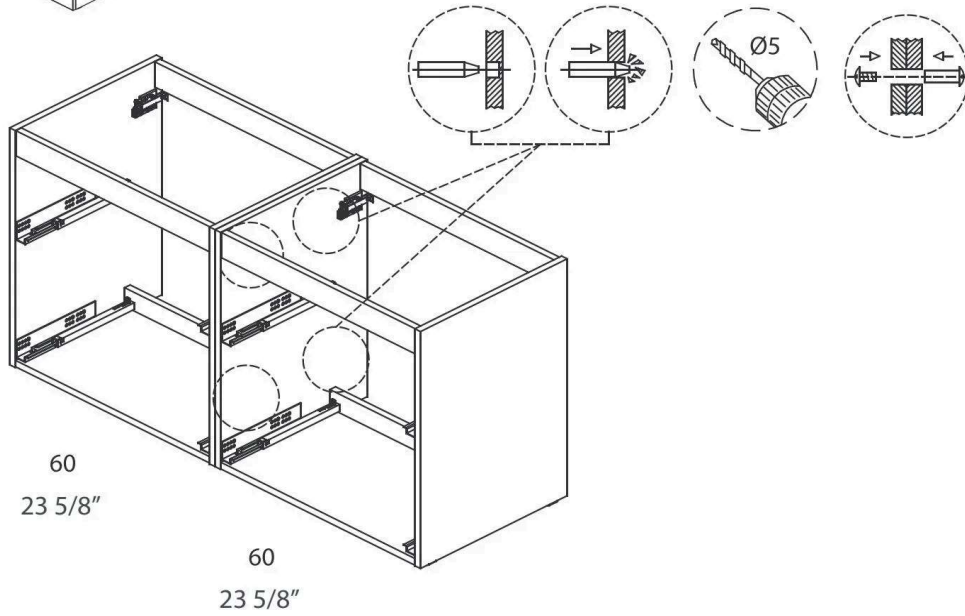
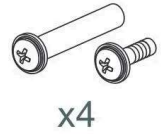
03.



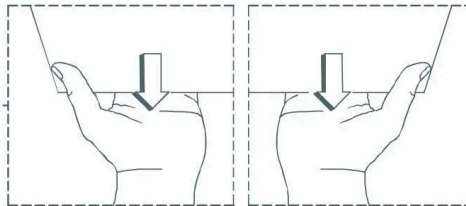
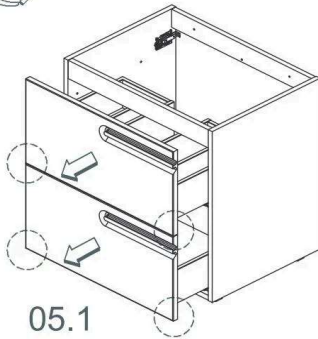
04.



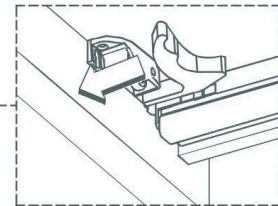
60+60
23 5/8" + 23 5/8"



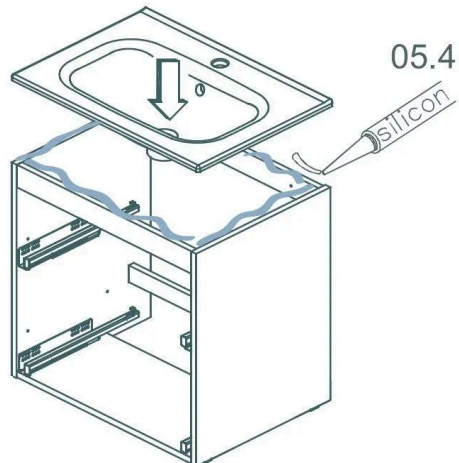
05.



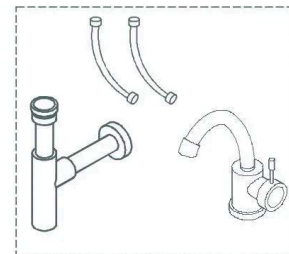
05.2



05.3

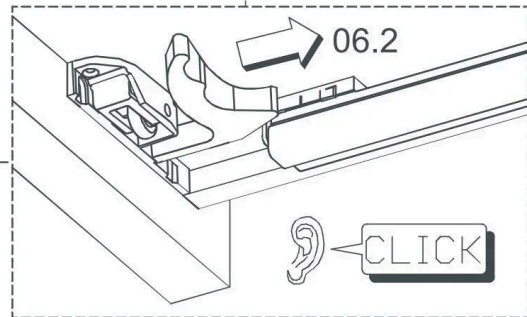
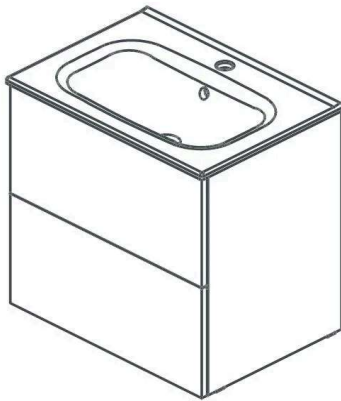
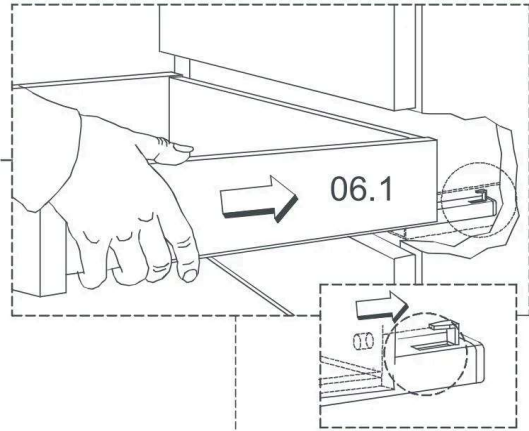
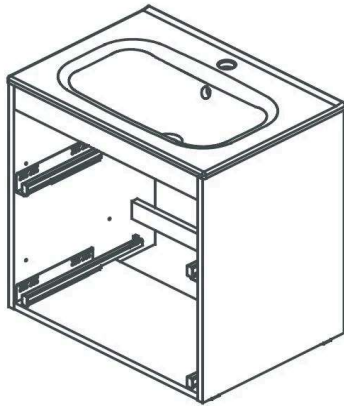


05.4



05.5

06.



07.

