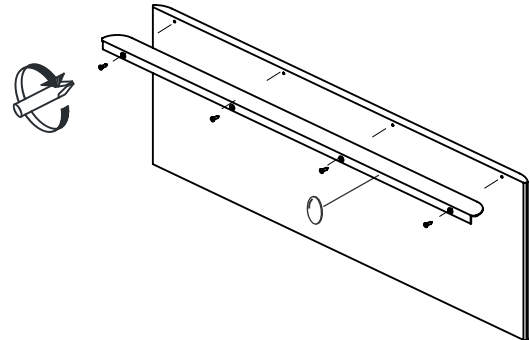
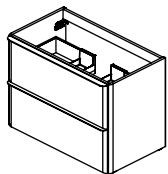
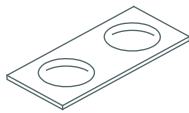
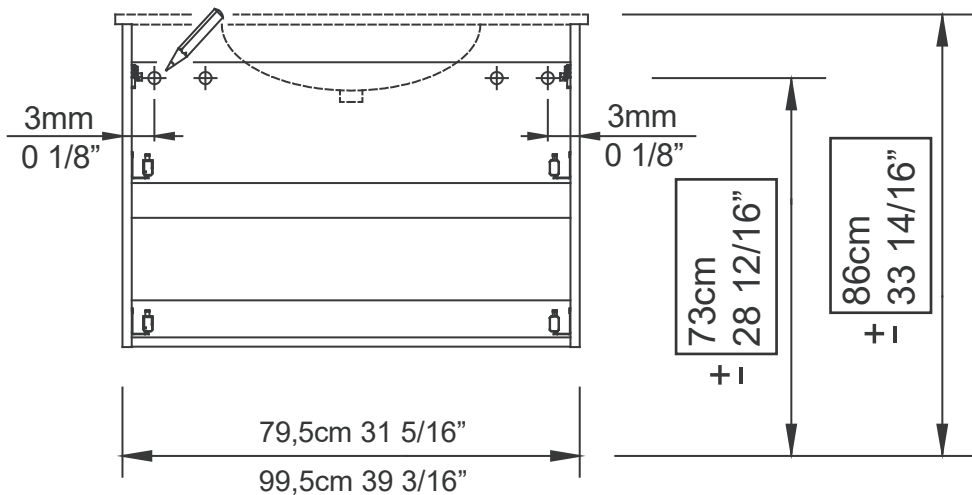


BO-719

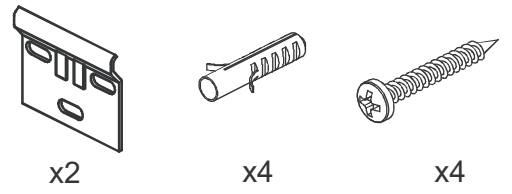
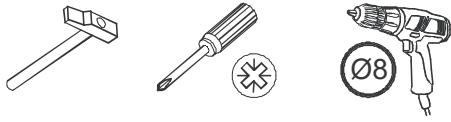
01.



02.



03.



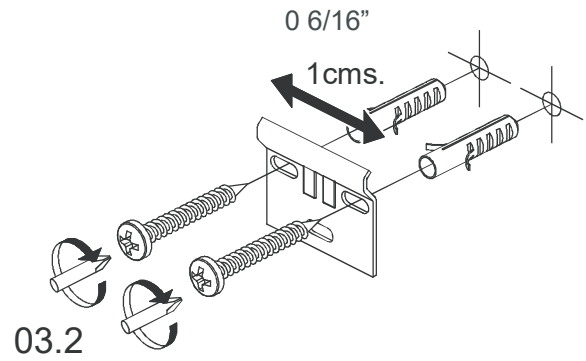
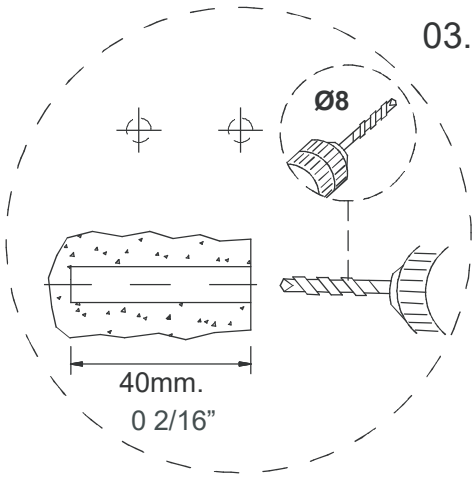
x2

x4

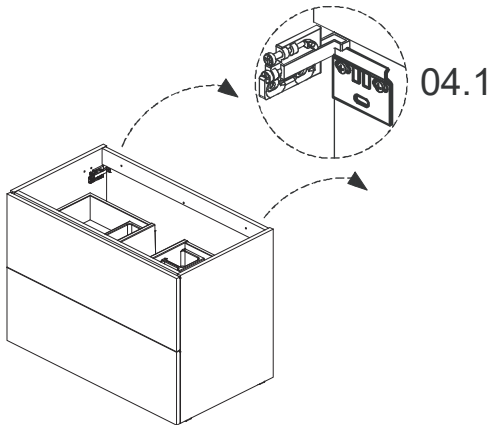
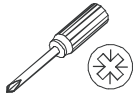
x4

BO-719

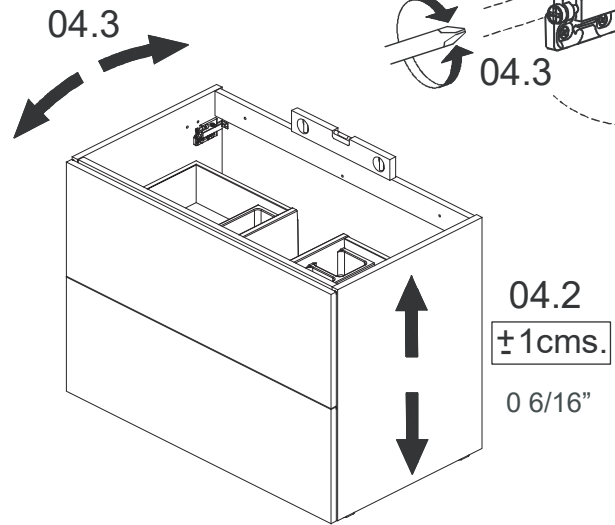
03.1



04.



04.1



04.3

04.2

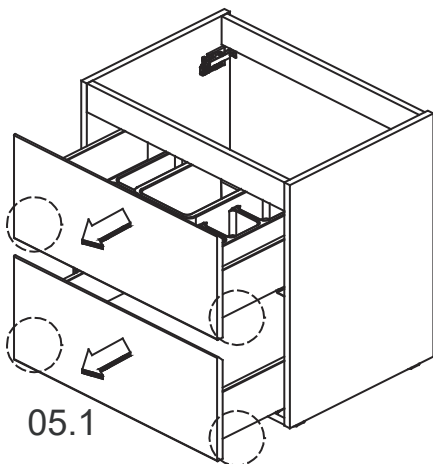
04.3

04.2

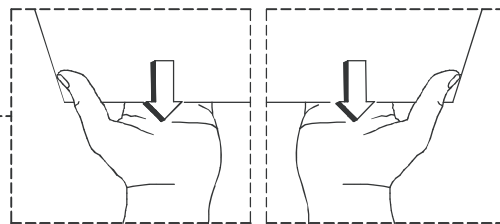
±1cms.

0 6/16"

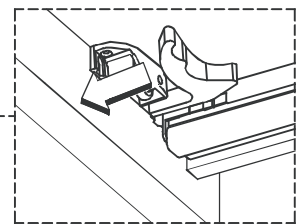
05.



05.1

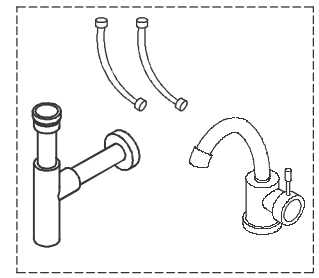
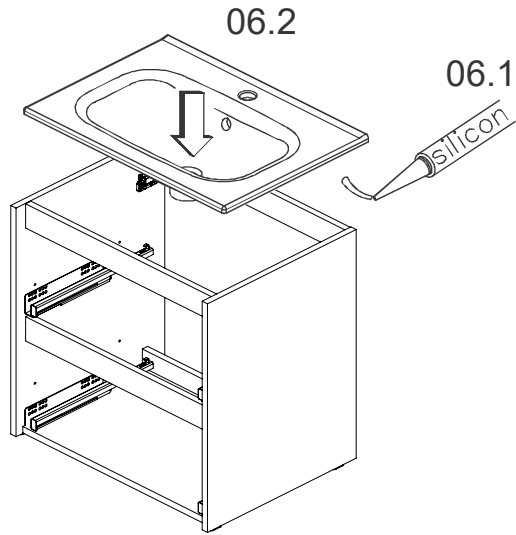


05.2



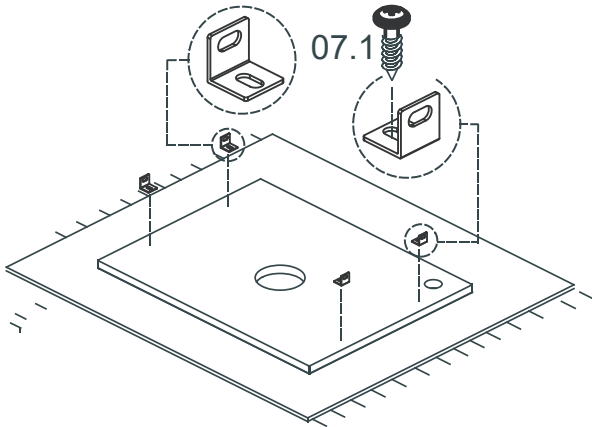
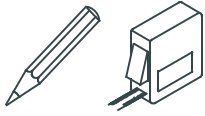
05.3

06.

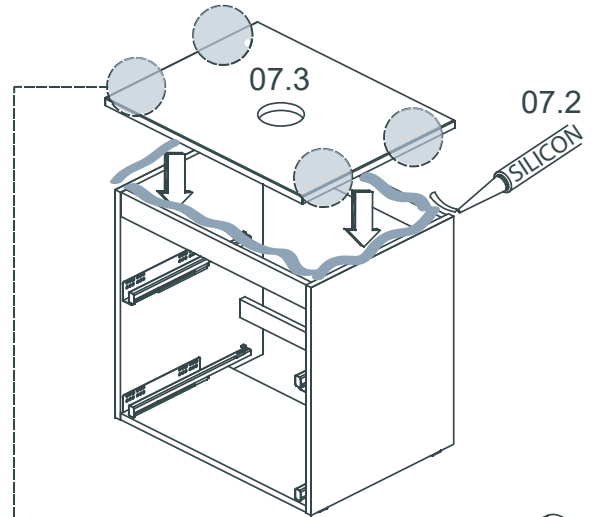


06.3

07.

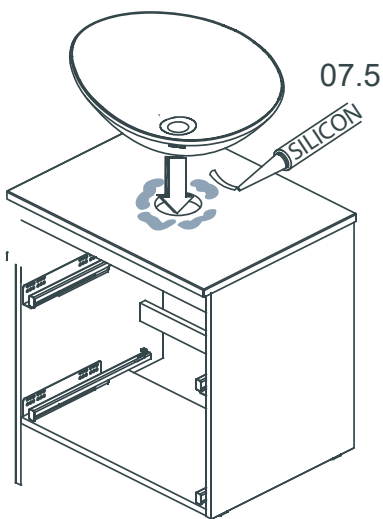


07.1

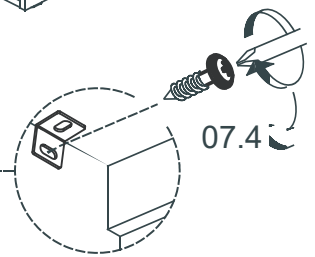


07.3

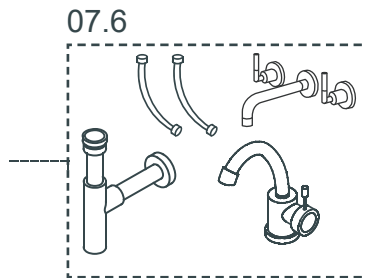
07.2



07.5

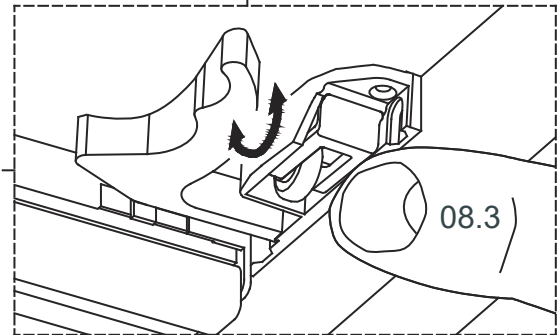
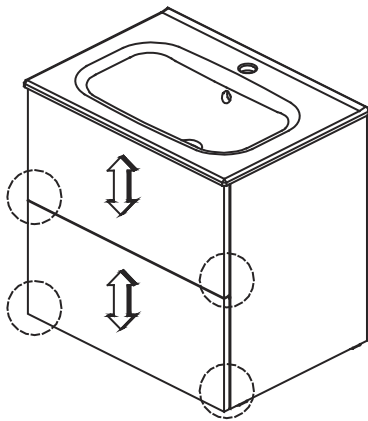
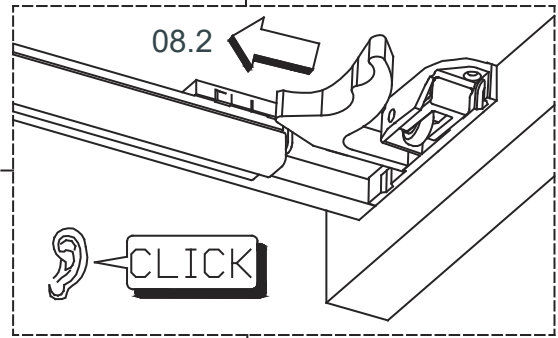
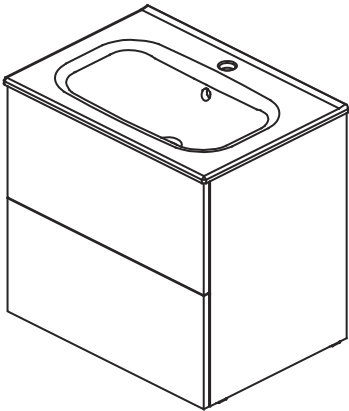
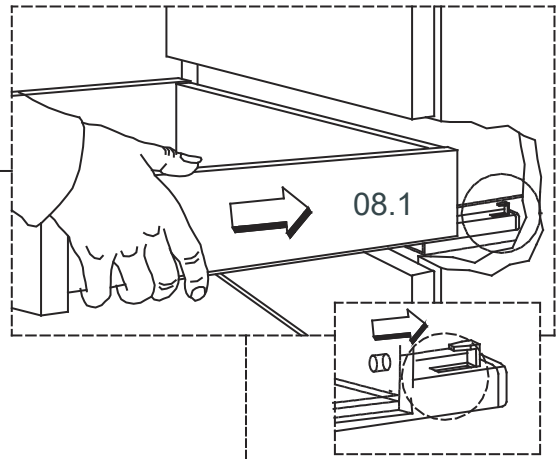
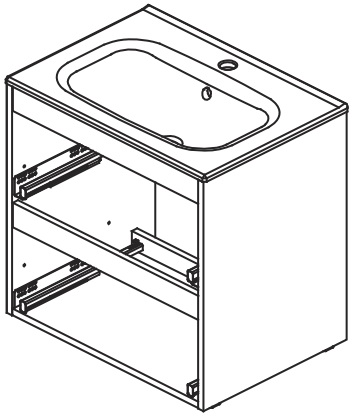


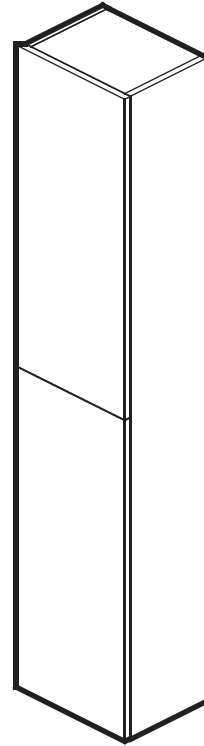
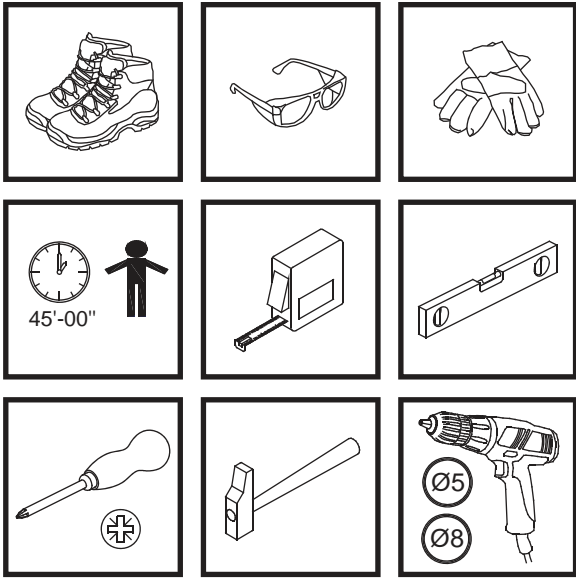
07.4



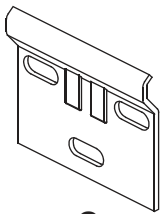
07.6

08.

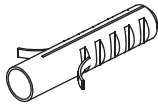




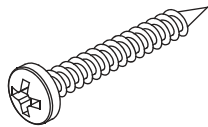
01.



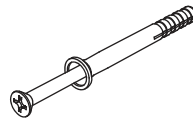
x2



x4



x4



x1



x1



x8

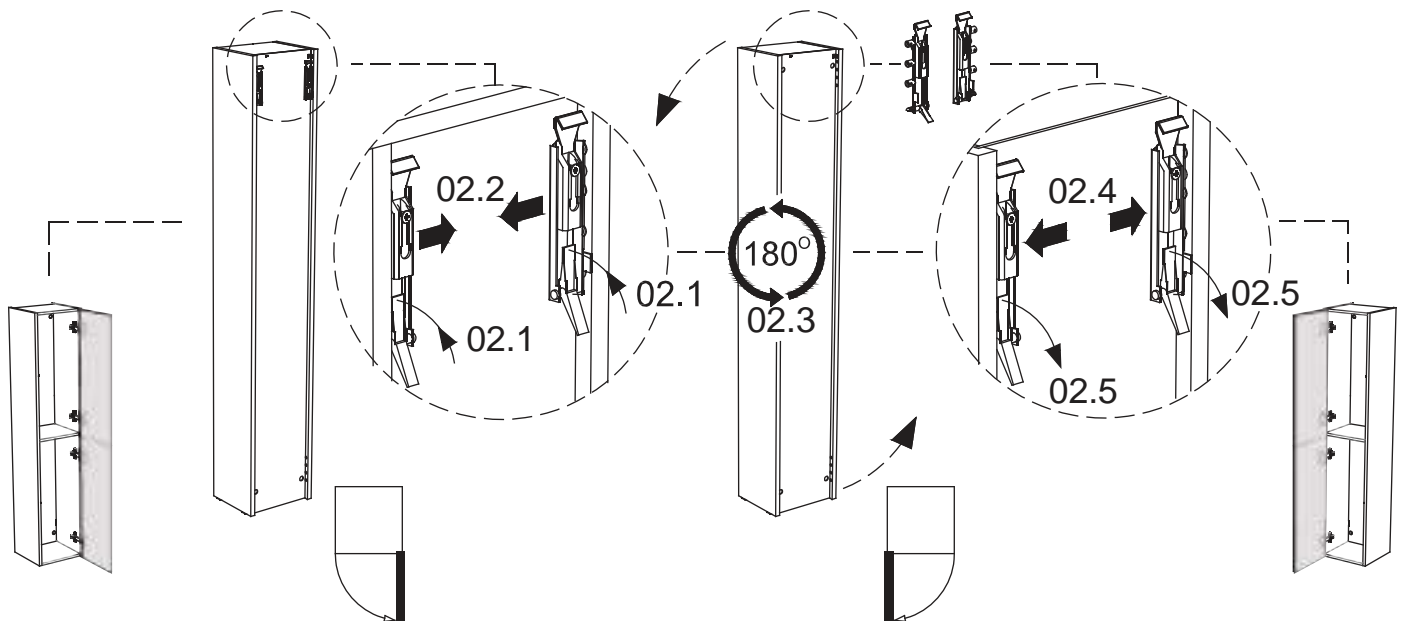


x4

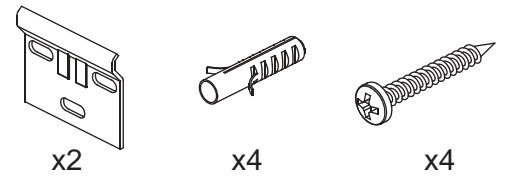
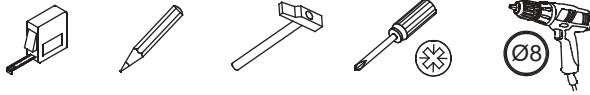
BO-719

BO-630

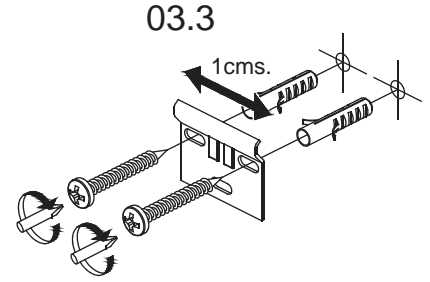
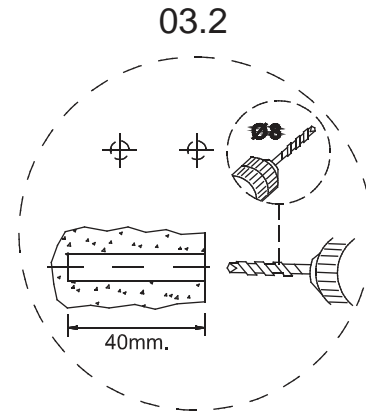
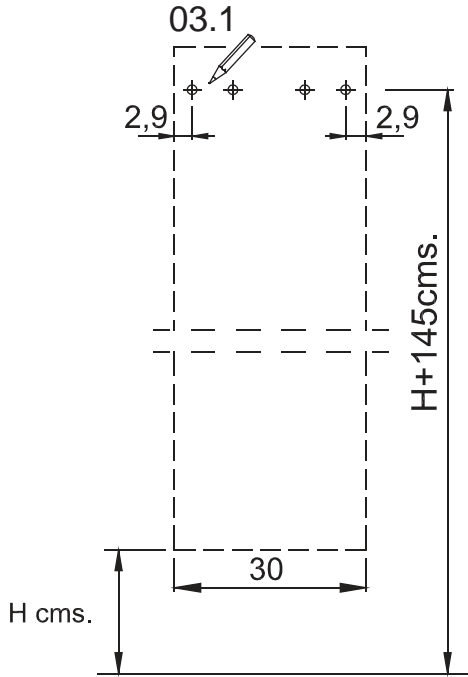
02.



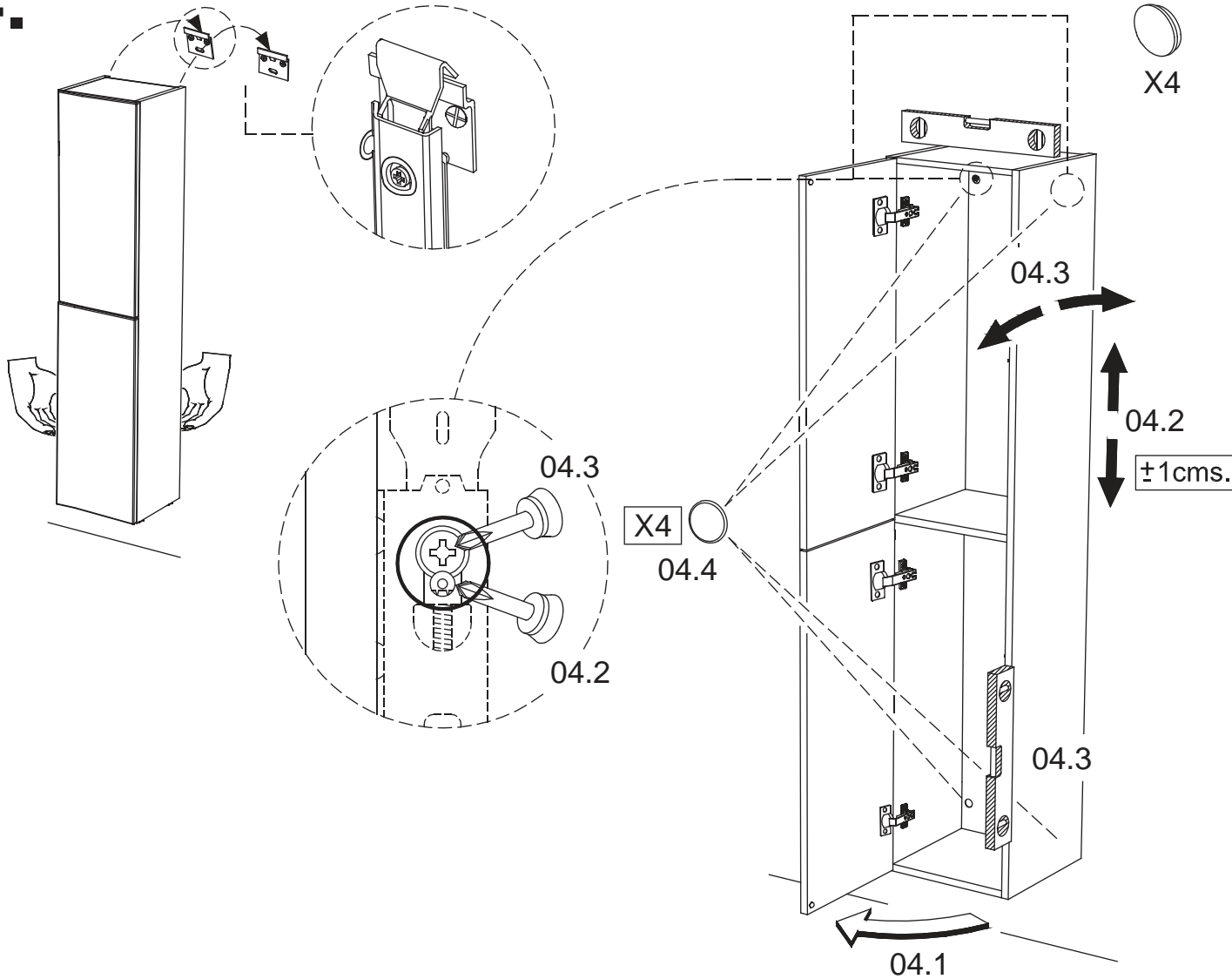
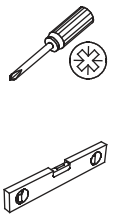
03.



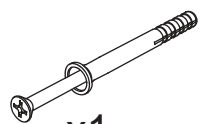
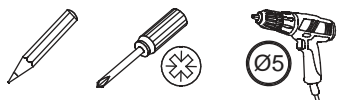
BO-719



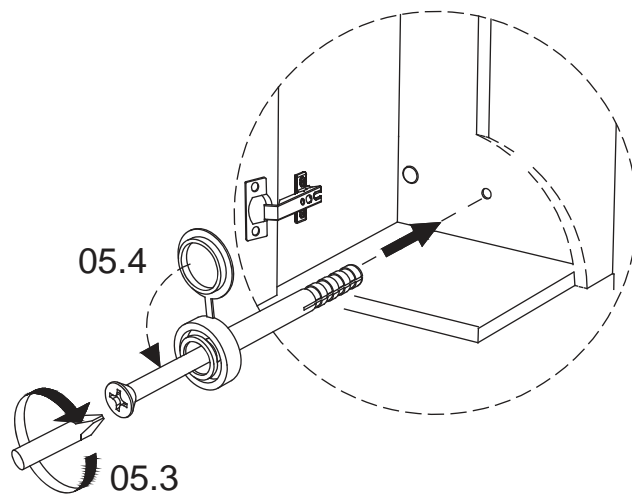
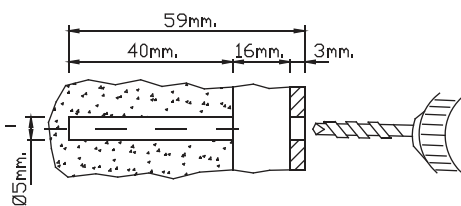
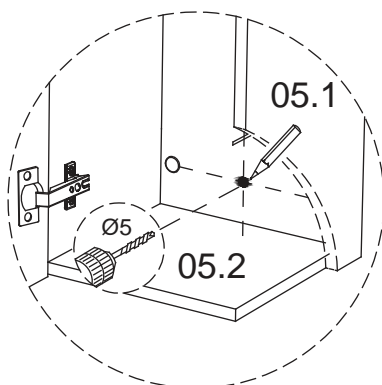
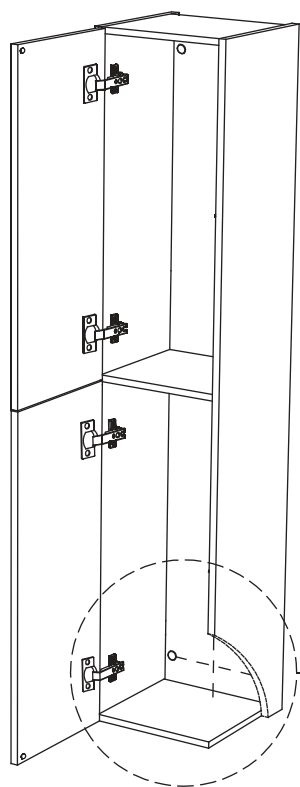
04.



05.



BO-630



06.



x8

