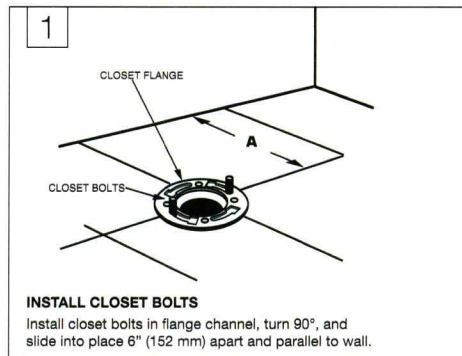


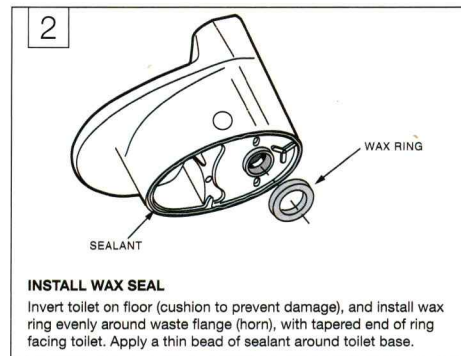
# INSTALLATION MANUAL

# Celite



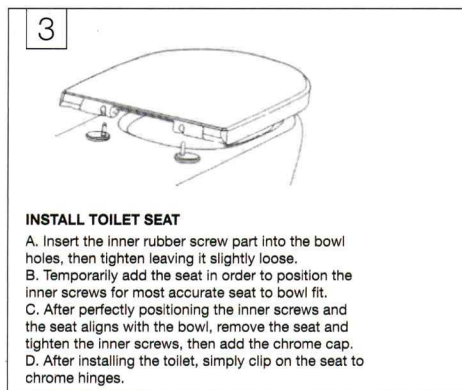
### INSTALL CLOSET BOLTS

Install closet bolts in flange channel, turn 90°, and slide into place 6" (152 mm) apart and parallel to wall.



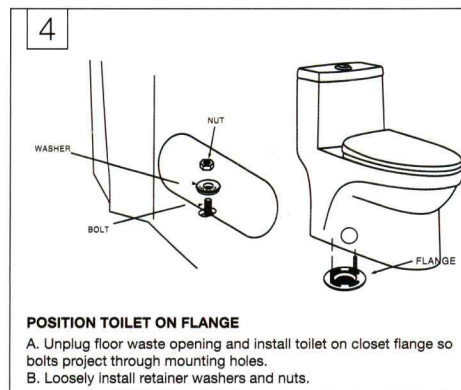
### INSTALL WAX SEAL

Invert toilet on floor (cushion to prevent damage), and install wax ring evenly around waste flange (horn), with tapered end of ring facing toilet. Apply a thin bead of sealant around toilet base.



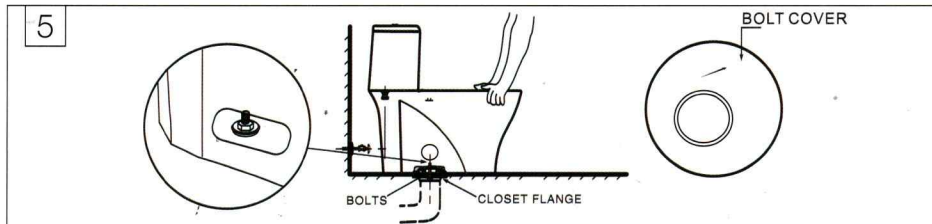
### INSTALL TOILET SEAT

A. Insert the inner rubber screw part into the bowl holes, then tighten leaving it slightly loose.  
 B. Temporarily add the seat in order to position the inner screws for most accurate seat to bowl fit.  
 C. After perfectly positioning the inner screws and the seat aligns with the bowl, remove the seat and tighten the inner screws, then add the chrome cap.  
 D. After installing the toilet, simply clip on the seat to chrome hinges.



### POSITION TOILET ON FLANGE

A. Unplug floor waste opening and install toilet on closet flange so bolts project through mounting holes.  
 B. Loosely install retainer washers and nuts.



### INSTALL TOILET

A. Position toilet squarely to wall and, with a rocking motion, press bowl down fully on wax ring and flange. Alternately, tighten nuts until toilet is firmly seated on floor.

**CAUTION: DO NOT OVERTIGHTEN NUTS OR BASE MAY BE DAMAGED!**

B. Adhere bolt covers to toilet.

C. Smooth off the bead of sealant around base. Remove excess sealant.

Roca Bathroom Products Inc  
 11190 Nw 25th Street Suite 110  
 Miami Fl 33172

 CUSTOMER SERVICE  
 (305)307-6103  
 PRODUCT.SUPPORT@US.ROCA.COM

CONSULT THE WARRANTY TERM  
[WWW.CELITE.US](http://WWW.CELITE.US)