

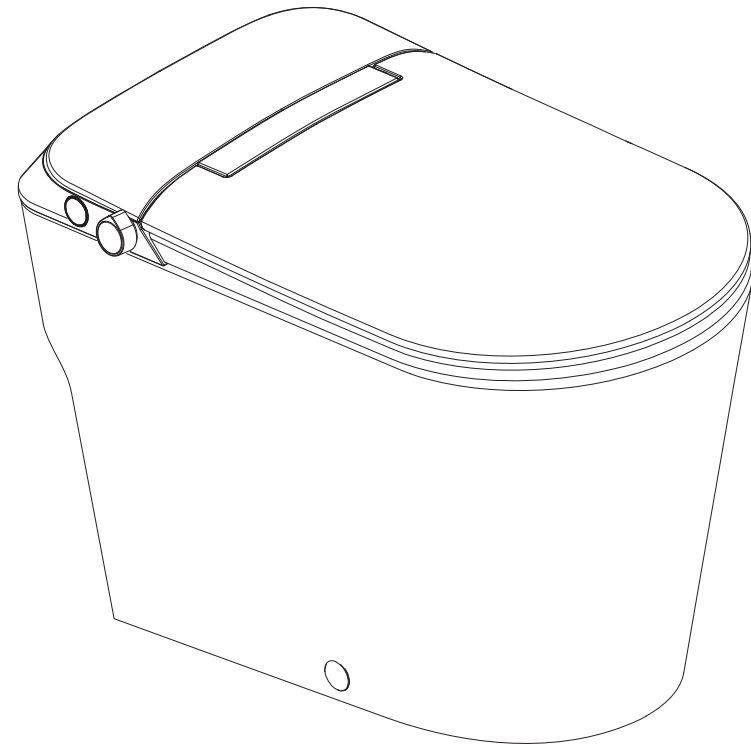
---

INSTALLATION &  
USER MANUAL

---

**Celite**

**ULTRA BIDET TOILET**



ROCA BATHROOM PRODUCTS INC  
11190 NW 25th St, Suite 110  
Miami, FL 33172  
Made in China

 **TECHNICAL ASSISTANCE**  
**+1 (786) 730-0024**  
**INFO.US@US.ROCA.COM**



## SAFETY

Before using or installing the product, read the safety instructions carefully.  
We will not be responsible for any loss due to violation of either requirement below.

- **The product should be installed by a qualified professional.**
- **Before installing the product, please read the safety instructions below and those in other parts of this manual. Please install the product as instructed in this manual. We will not be responsible for any adverse consequence due to a change of the installation method.**

## SYMBOLS DESCRIPTION



Visual inspection



Caution! Low risk of minor injury



Tightness inspection



Kind reminder



## CAUTION!

Please avoid faults or damage of the product due to misoperation.

- Do not use industrial water, circulating water, sea water or waste water as the water source of the product. Please use a water source meeting the hygiene requirements for domestic drinking water.
- When installing the product, please abide by all the local regulations on water supply and drainage, and buildings to avoid safety hazards.
- When using the product, make sure the water supply pressure and the water supply flow are 0.1MPa to 0.75MPa (14.5PSI to 108.8PSI) and equal to or more than 9L/min(2.4gal/min), respectively, to ensure thorough flushing.
- Make sure that the water temperature is 4°C to 35°C (39.2°F to 95°F) and that the bathroom temperature is above 4°C (39.2°F).
- Do not bend, squeeze or wind the water supply pipe excessively.
- Do not use benzene, paint thinner, cleaning powder or nylon brush but a thinned neutral detergent to clean the product.
- Do not use an old hose repeatedly. Please use the new hose provided with the product.
- Do not strike the ceramic violently.
- Do not put the product upside down.
- Before installation, water-proof treatment should be done for the bathroom's floor and walls.
- To avoid product surface scratches, please remove the electrostatic film on the product after its installation.

## SAFETY



## CAUTION!

Please avoid faults or damage of the product due to misoperation.

- The product is made of ceramic. Handle it gently in installation. Do not fix the ceramic with cement, otherwise the product will tend to get damaged; do not lock the nuts too tightly, otherwise the product may get damaged or crack.
- After installation, do a water supply test first.
- Leaning on the top cover when using the product may damage it.
- When moving or installing the product, hold its body with hands. If only its top cover and seat are held, they may separate from the body and cause injuries.
- Keep the product from direct sunlight to avoid its discoloration.
- Do not put any article tending to make the product clogged, such as newspaper, paper diaper or sanitary pad, into the product.

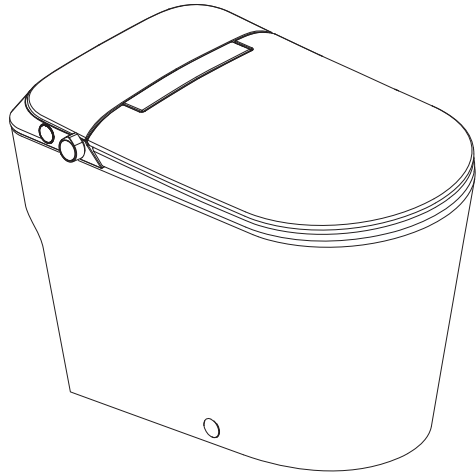


## KIND REMINDER!

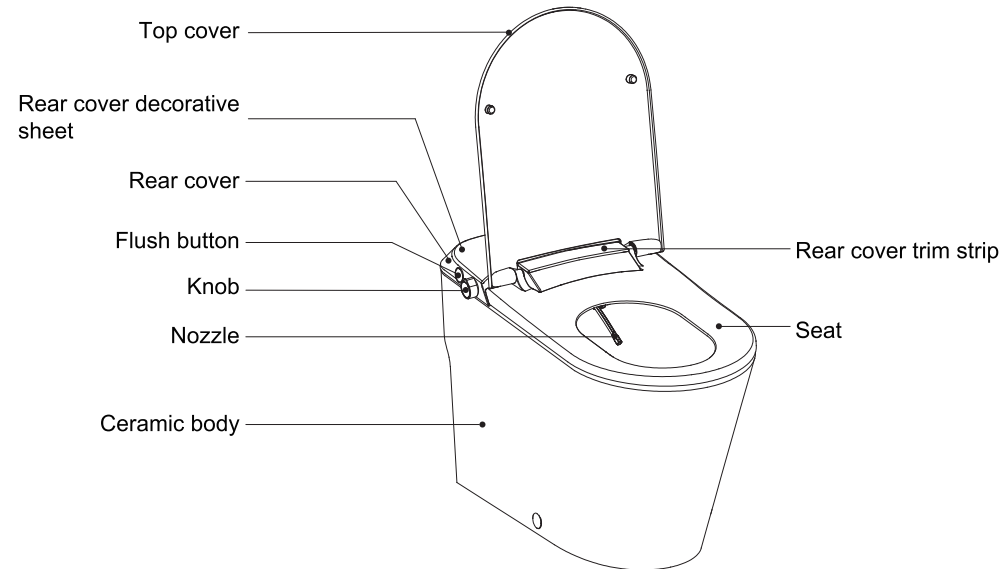
- The product undergoes a water test before being marketed, so it is normal for it to contain water inside or on the packaging.

# INTRODUCTION

## OVERVIEW

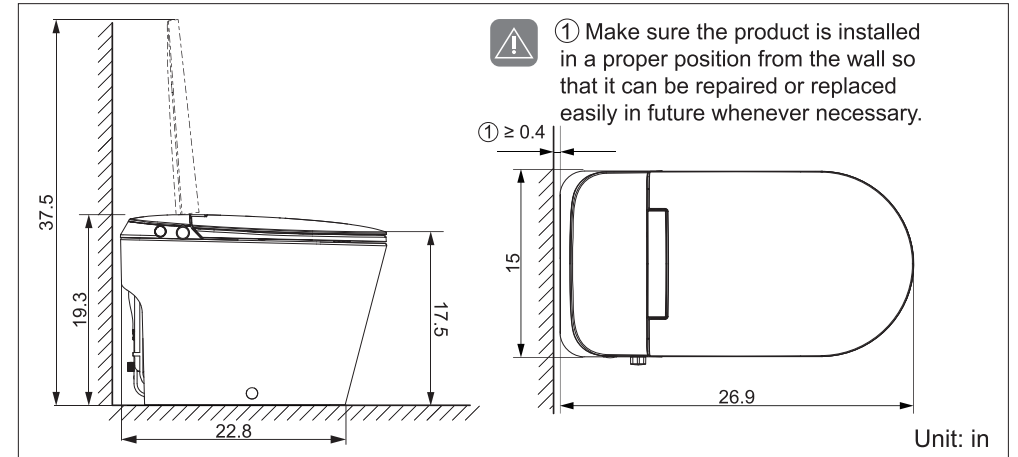


## MAIN

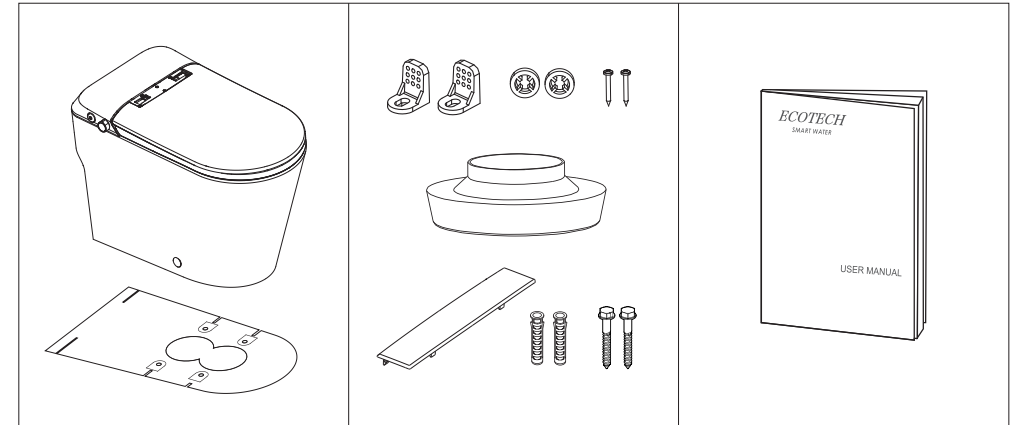


# PRE-INSTALLATION

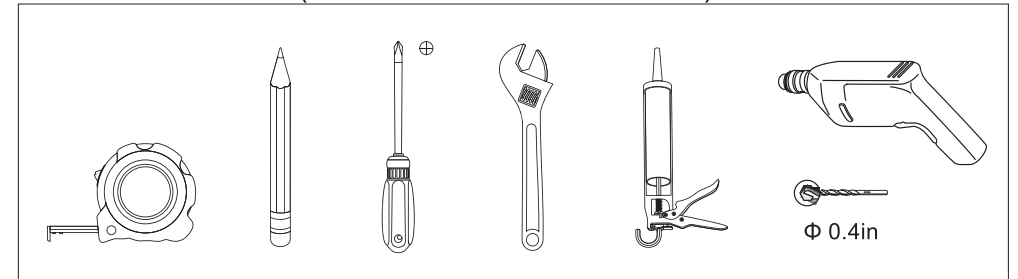
## DIMENSION



## STANDARD DELIVERY CONTENTS



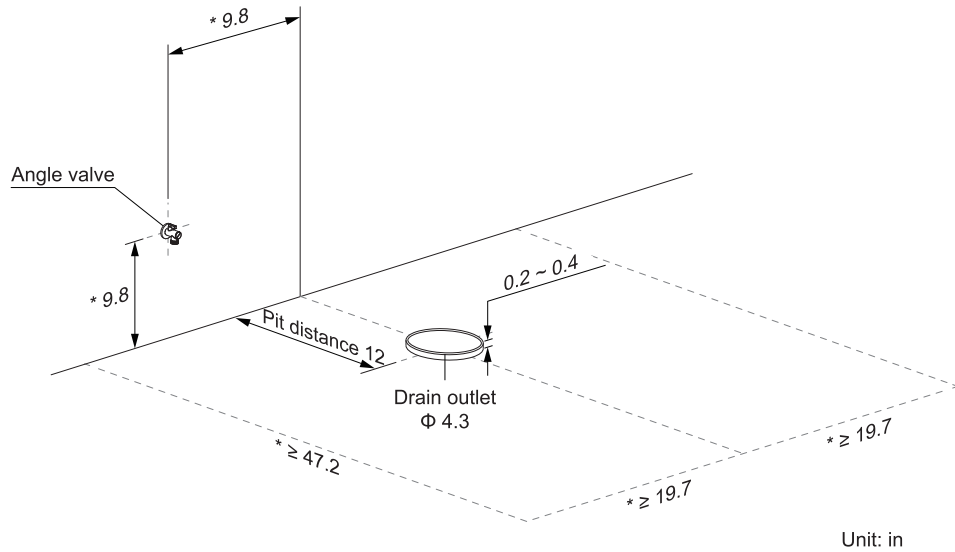
## TOOLS NEEDED (PROVIDED BY CUSTOMER)



# INSTALLATION

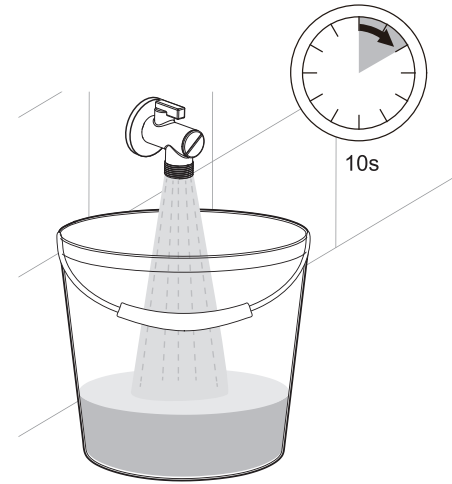
## ■ INSTALL PREPARATIONS

1. Make sure that the floor tiles and the wall tiles have been paved, and that a pit tube and a water supply pipe are reserved.
2. Reserve the installation position according to the dimensions given in the figure below (symbols \* refer to the recommended dimensions) to ensure normal use of the water supply pipe.
3. Make sure the distance between center of the pit tube and the wall, i.e., the pit distance, matches with the product.
4. Turn on the water supply switch to drain water to flush away the mud and other foreign matters in the reserved water pipes to avoid blockage of the water pipes.

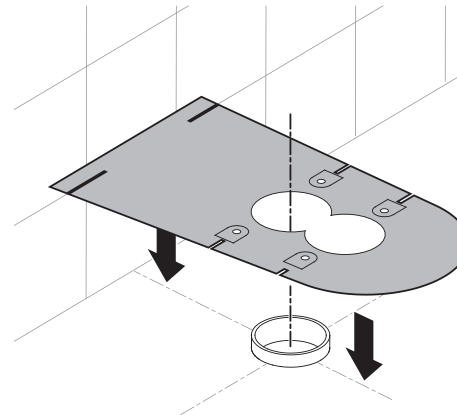


# INSTALLATION

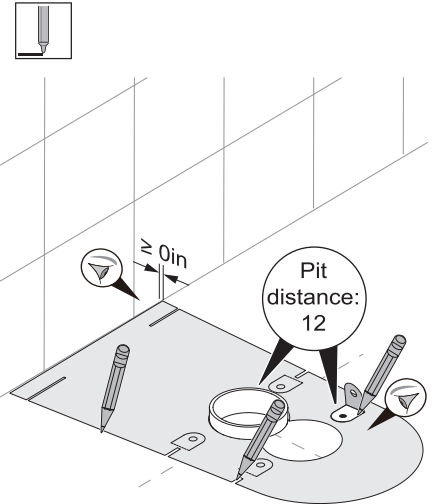
1



2

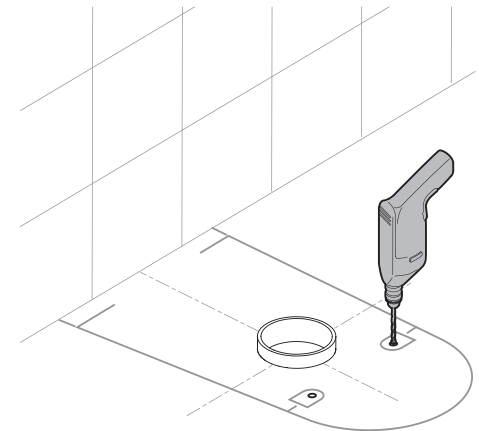
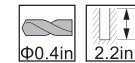


3



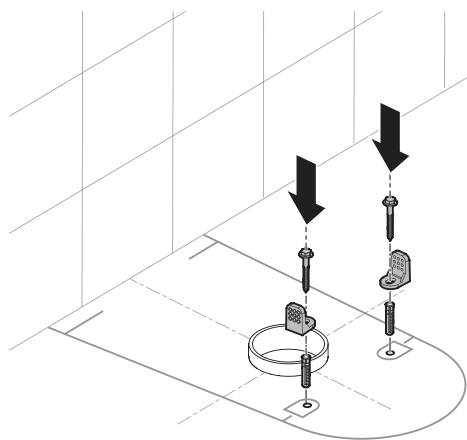
⚠ Make sure the product is installed in a proper position from the wall so that it can be repaired or replaced easily in future whenever necessary.

4

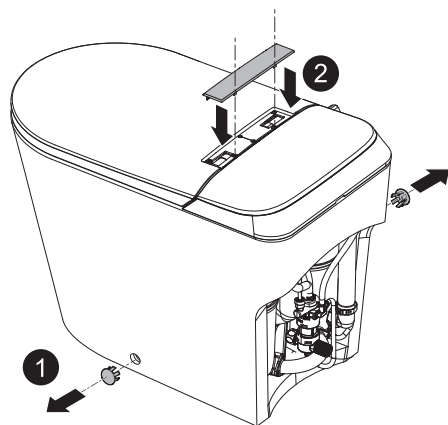


# INSTALLATION

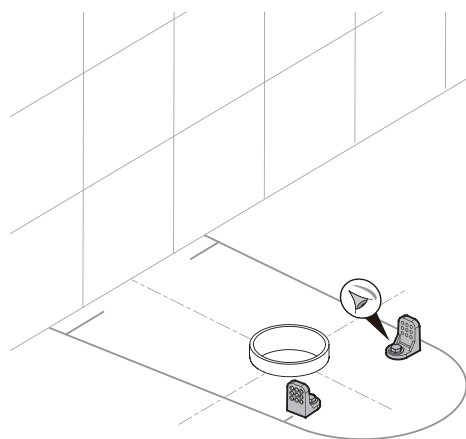
5 



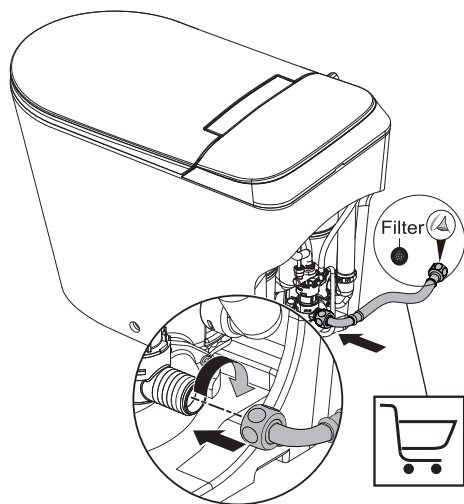
7



6

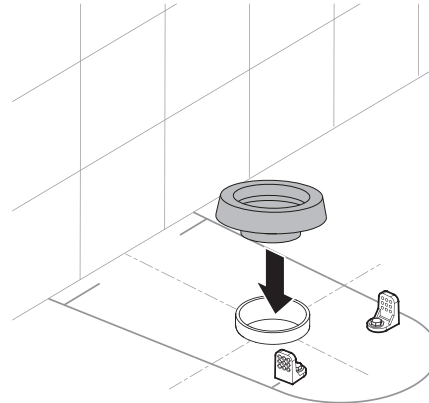


8 

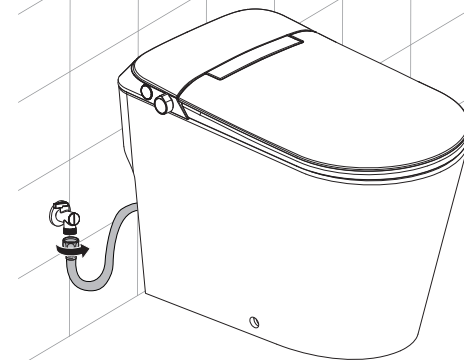


# INSTALLATION

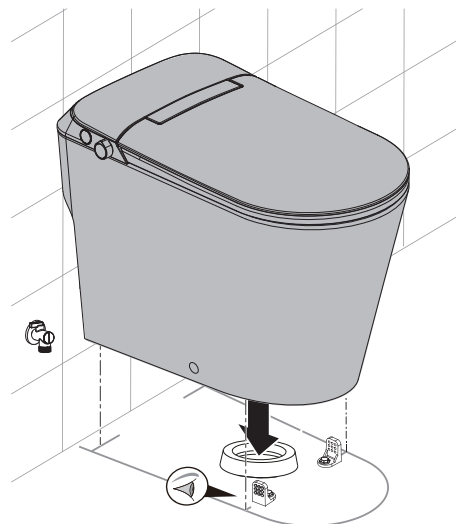
9



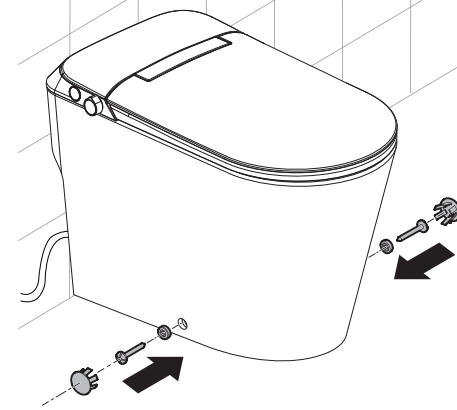
11 



10

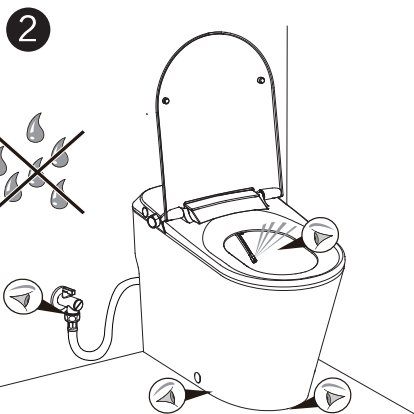
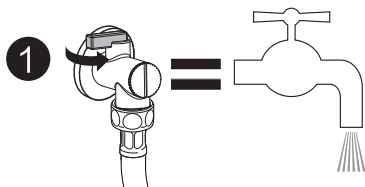


12

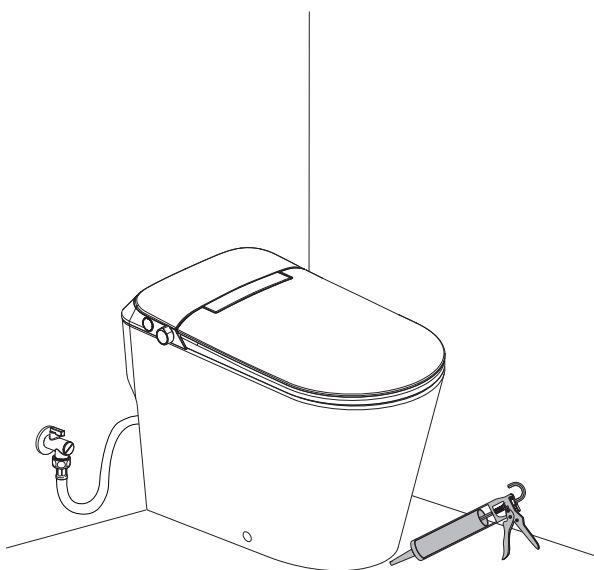


# INSTALLATION

13



14



After installation, make the product stand for 24h before use.

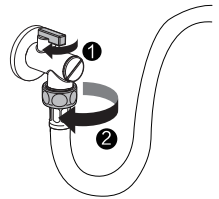
# OPERATION

## OPERATION KNOB

Function	Symbol	Operation	Remarks
Self-cleaning of the nozzle		Turn the knob forward till the first position for self-cleaning of the nozzle, or to the second position for front wash function. The water flow changes with rotation of the knob.	1. The nozzle does not stretch out in its self-cleaning. 2. The larger the rotating angles of the knobs, the larger the water flows will be.
Front wash function			
Self-cleaning of the nozzle		Turn the knob backward till the first position for self-cleaning of the nozzle, or to the second position for rear wash function. The water flow changes with rotation of the knob.	
Rear wash function			
Flushing		Press the flush button	

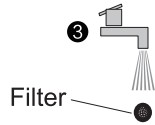
## CLEANING & MAINTENANCE

### FILTER CLEANING

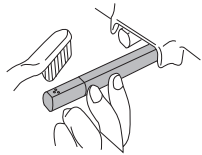


The filter needs to be cleaned at regular intervals. If the product fails in water supply, has a water supply pressure smaller than ordinary time or cannot work normally, please clean the filter first.

**!** In cleaning, make sure the water supply switch is off; after cleaning, mount the filter back and inspect and make sure there's no water leakage.



### NOZZLE CLEANING



Pull out the jet pipe gently and pull it for at least 5 times. Hold the jet pipe gently and wipe it and the nozzle with soft cloth, sponge or small brush with some neutral detergent.

### SURFACE CLEANING

Use a smooth sponge or a piece of soft cloth dipped with a proper amount of room temperature water or neutral detergent and then wrung out to wipe the product surface. When cleaning any other part of the product, lift the top cover and the seat. Do not lay down the top cover or the seat until the detergent in the product has been completely flushed away, otherwise the evaporated detergent may corrode the product surface.

### WINTERIZATION

When in use, make sure the indoor temperature is not below 4°C (39.2°F). When the indoor temperature is below 4°C (39.2°F), stop using the product and operate as below. Turn off the angle valve to stop water supply. After that, drain the water in the tank to flush the product once.

**!** If the product is maintained before drainage, the product may damage and leak. If the product is moved from a cold place to a warm place, the water in it will condensate. In this case, make the product stand for a couple of hours before use.

## TROUBLESHOOTING

If the product has a fault, please follow the recommended troubleshooting actions below. If the product continues to fail after that, please contact the Customer Service number in this manual.

Fault	Cause analysis	Solution
Water leakage	Loose hose connector	Turn off the water supply switch and check whether the connector between it (or the product) and the hose is tightened.
Flushing failure	Abnormal water supply	Check whether the water supply switch is on and whether the filter is blocked.
Insufficient flushing force	Too low water supply pressure	Please make sure the water supply pressure is above 0.1MPa (14.5PSI).
	Insufficient water in the tank	Please make sure the interval between each flushing is longer than 60s.

## TECHNICAL SPECIFICATION

Item	Description
Flushing capacity	4Lpf(1.0gpf)
Applicable water supply pressure (static pressure)	0.1MPa ~ 0.75MPa (14.5PSI ~ 108.8PSI)
Water supply temperature	(39.2°F ~ 95°F)
Ambient temperature	(39.2°F ~ 104°F)
Dimensions	26.9 x 15 x 19.3in (length x width x height)