

Ikon Smart One-Piece Smart Toilet

Installation Manual

Thank you for choosing our products. Please read the instructions carefully before installation and keep it available for future maintenance or reference.

Content

Installation	Safety instructions _____	01
	Technical specifications _____	03
	List of materials _____	05
	Technical drawing _____	06
	Parts identification _____	07
	Toilet installation _____	08
	Preparation _____	10
	Lid auto open/close _____	11
	Foot sensor _____	12
Maintenance	Maintenance _____	13
	1. Main unit care and maintenance	
	2. Filter maintenance	
	3. Spray nozzle maintenance and care	
	Emergency troubleshooting _____	14
	1. Power and water failure	
	2. Failure of remote control	
	3. Product unused for a period of time	
Others	Description of the button function _____	15
	Troubleshooting guide _____	16
	Warranty Terms _____	16

IMPORTANT SAFEGUARDS

When using electrical products, especially when children are present, basic safety precautions should always be followed, including the following:

1. The appliance is not to be used by persons (including children) with reduced physical, sensory or mental capabilities, or lack of experience and knowledge, unless they have been given supervision or instruction.
2. This appliance can be used by children aged from 8 years and above and persons with reduced physical, sensory or mental capabilities or lack of experience and knowledge if they have been given supervision or instruction concerning use of the appliance in a safe way and understand the hazards involved.
3. Children shall not play with the appliance.
4. Cleaning and user maintenance shall not be made by children without supervision.

READ ALL INSTRUCTIONS BEFORE USING



DANGER - To reduce the risk of electrocution:

1. Do not use while bathing.
2. Do not place or store product where it can fall or be pulled into a tub or sink.
3. Do not place in or drop into water or other liquid.
4. Do not reach for a product that has fallen into water. Unplug immediately.
5. Do not wash the main unit or electrical plug with water or detergent.
6. Do not handle the electrical plug with wet hands.
7. Never block the outlet of the air dryer.
8. Never disassemble, repair or modify this product.
9. During installation, disassembly, repair and maintenance of the product, the power plug must be switched off and water supply be shut off.



WARNING - To reduce the risk of burns, electrocution, fire, or injury to persons.

1. Close supervision is necessary when this product is used by, on, or near children or individuals with disabilities.
2. Use this product only for its intended use as described in this manual. Do not use attachments not recommended by the manufacturer.
3. Never operate this product if it has a damaged cord or plug, if it is not working properly, if it has been dropped or damaged, or dropped into water. Return the product to a service center for examination and repair.
4. Keep the cord away from heated surfaces.
5. Never use while sleeping or drowsy.
6. Never drop or insert any object into any opening or hose.
7. Do not use outdoors or operate where aerosol (spray) products are being used or where oxygen is being administered.
8. Connect this product to a properly grounded outlet only. See Grounding Instructions.
9. Do not throw cigarettes and other burning materials into toilet, otherwise it might cause fire. This product is an electric appliance, so it must be placed far away from water and other liquids.
10. Do not lay the product on its side or upside down during the electrical circuit.
11. It is prohibited to use other electric appliances in the same socket.
12. It is forbidden to use the power extension or unstable loose outlet.
13. Do not reuse any existing water supply hoses, otherwise it might cause leakage, fire or electrical shock. Installation should include specified components and a new water supply hose.

IMPORTANT SAFETY INSTRUCTIONS



CAUTION - Indicates that failure to follow the instruction may cause body injury or property damage.

1. Do not install or use the product in wet places as steam room etc.
2. It is recommended to use water-proof electrical outlet which should be installed in a place where it will not easily get wet.
3. This product should be used with 110V-120V, 50/60Hz electrical current only, load current is at least 15A. Power plug must be equipped with ground fault circuit interrupter or ground fault electrical leakage protector or similar high sensitive, rapid type leakage switch (Rated sensitive current under 6mA).
4. When it thunders, it is strongly recommended to pull out the power plug.
5. Do not stand on ceramic toilet.
6. Ceramic toilet must install floor fixing bolts.
7. Do not stand on product unit, seat and lid.
8. Do not lean against the seat lid when using the product, to avoid damage.
9. This product is equipped with a soft-closing seat lid. Do not push the toilet seat closed, or damage may occur.
10. Do not use any caustic chemicals or scrubbing brush to clean this product.
11. Exposure to direct sunlight is prohibited.
12. Only use tap water or potable water, otherwise it may cause chafing.
13. Do not connect water supply to heater outlet. Make sure inlet water temperature is between 3-35°C/37.4-95°F
14. When the room temperature is under zero degree, please drain the water tank, to avoid freezing.
15. Raise room temperature to prevent the toilet from damage due to freezing.
16. When moving the product from cold or wet environment into normal room temperature, wait for 2 hours until the condensation water is fully volatilized. Doing so can prevent the product from electrical short-circuit.
17. When not using the product over three(3) days, drain the water out of the toilet and pull the electrical plug from the wall outlet.
18. Stop using the product and shut off the power when product malfunctions. Call for professional service.

GROUNDING INSTRUCTIONS

This product should be grounded. In the event of an electrical short circuit, grounding reduces the risk of electric shock by providing an escape wire for the electric current. This product is equipped with a cord having a grounding wire with a grounding plug. The plug must be plugged into an outlet that is properly installed and grounded.



DANGER - Improper use of the grounding plug can result in a risk of electric shock.

If repair or replacement of the cord or plug is necessary, do not connect the grounding wire to either flat blade terminal. The wire with insulation having an outer surface that is green with or without yellow stripes is the grounding wire.

This product is factory equipped with a specific electric cord and plug to permit connection to a proper electric circuit. Make sure that the product is connected to an outlet having the same configuration as the plug. No adapter should be used with this product. Do not modify the plug provided – if it will not fit the outlet, have the proper outlet installed by a qualified electrician. If the product must be reconnected for use on a different type of electric circuit, the reconnection should be made by qualified service personnel.

SAVE THESE INSTRUCTIONS

Technical Specifications

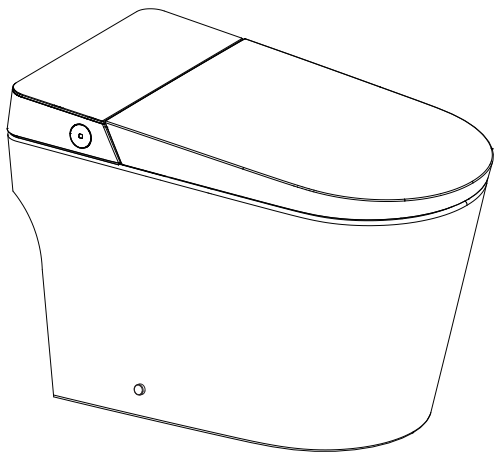
Model		Ikon Smart One-Piece Smart Toilet
Main Unit	Rated voltage	110V-120V, 50/60Hz
	Rated power	1170W
	Water proof	IPX4
	Power cord length	About 2.2m
Toilet	Flush volume	1.6/1.1Gpf, 6.0L(full flush)/4.1L(half flush)
	Flushing mode	Siphonic jet
	Rough-in	305mm
	Outlet outside diameter	≤100mm
	Drainage method	S-trap
	Water pressure range	0.09MPa (dynamic pressure, flow rate of 3.96 +Gal/min or 15.0+L/min) - 0.8MPa (static pressure)
Cleaning device	Heating mode	Instant
	Heating power	120V/1400W
	Water temperature	6-level adjustment
	Water volume	3-level adjustment
	Cleaning mode	Rear washing / Oscillating washing, Front washing / Oscillating washing
	Nozzle position	5-level adjustment
	Water pressure protector	Pressure maintaining device, Automatic pressure relief device
	Anti-fouling device	Automatic nozzle cleaning, Anti-syphon device, Anti-backflow device, Filter device
	Safety device	Thermal fuse, Water temperature sensor, Ground protection, Thermostat, Over temperature protection, Leakage protection plug
Drying device	Warm air volume	Over 0.2m ³ /min
	Warm air temperature	6-level adjustment
	Heating power	250W
	Safety device	Thermal fuse, Temperature sensor, Thermostat

Model		Ikon Smart One-Piece Smart Toilet		
Deodorization	Deodorization method	Photocatalyst-free		
Heated seat	Surface temperature	6-level adjustment		
	Heating power	50W		
	Burn protection	After 10 minutes of use, the seat temperature will automatically drop slowly to a low level		
	Safety device	Seat sensor, Temperature sensor, Thermostat, Thermal fuse, Leakage protection plug		
Caring device	Night light assembly	Intelligent, Always on, Always off		
	User ID setting	To avoid interference when used by multiple users		
	Automatic flushing	Automatic flushing after use		
	Foot sensor flushing function (optional)	Foot sensor flushing		
Difference description	Lid opening	Soft close	Lid auto-open	
			By microwave sensor (optional)	By foot sensor (optional)
Antibacterial site		Seat, Nozzle		

Rated power:

Under the condition of ambient temperature 23°C/73°F, water static pressure 0.18MPa±0.02MPa, water temperature 5°C/41°F, power toilet on, set water pressure, seat temperature, water temperature to the highest level in turn and perform one rear washing cycle.

List of materials



Main Unit



Remote Controller Components



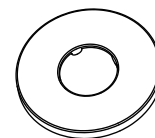
Sealing Flange



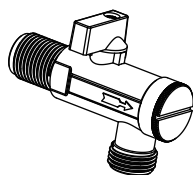
Installation Cardboard



Installation Manual



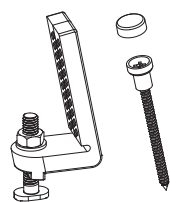
Flange



Angle Valve

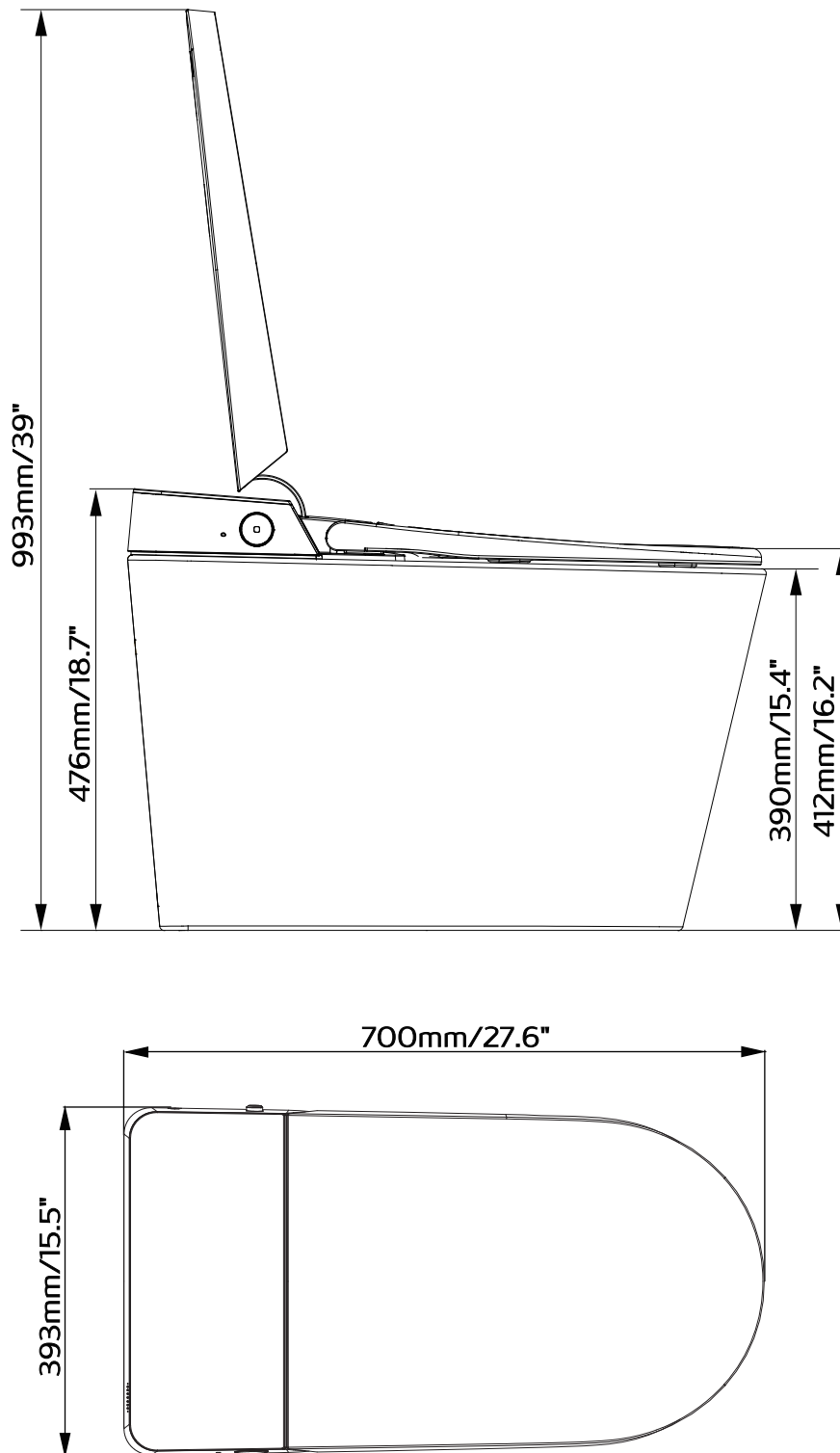


Braided Hose



Mounting Kit

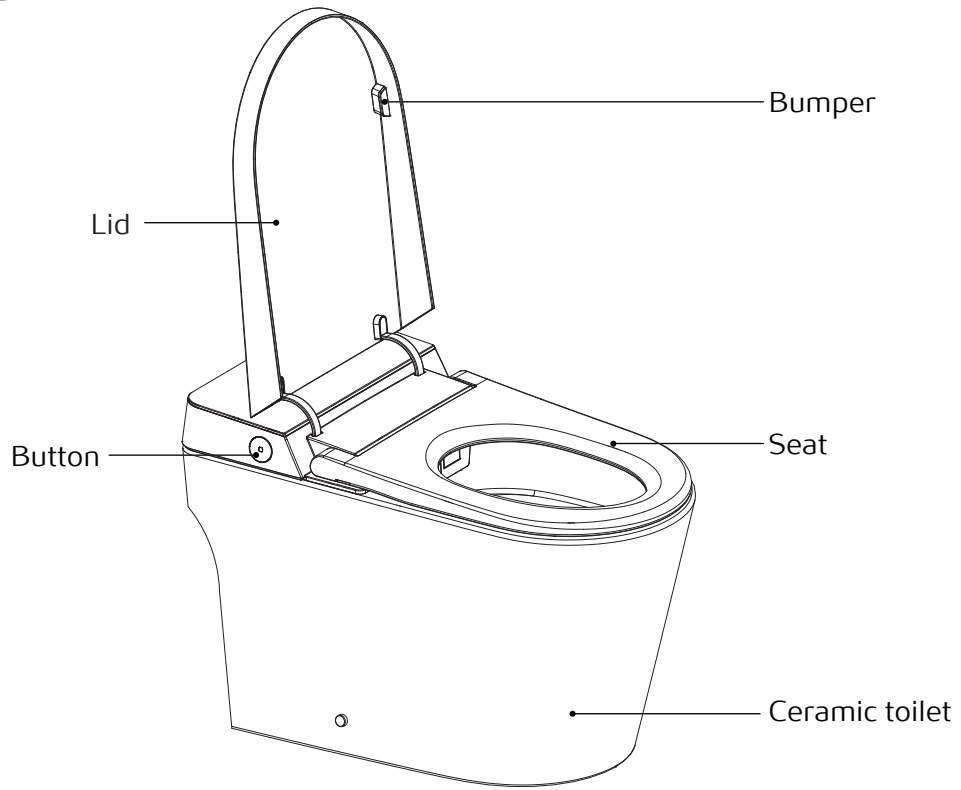
Technical drawing



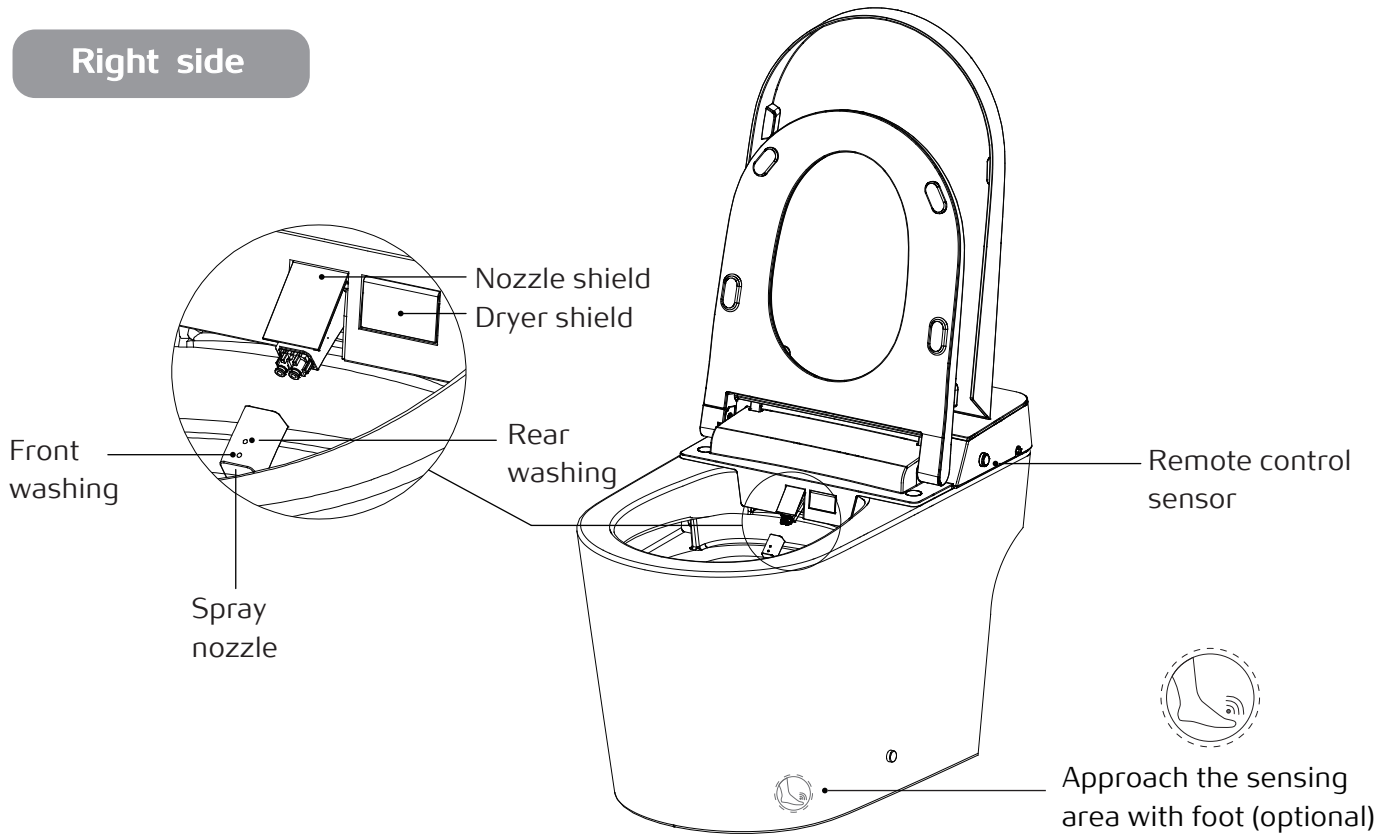
1. The drawing is for reference only, and we reserve the right to modify the product appearance.
2. Product appearance is subject to change in kind.

Parts identification

Left side



Right side

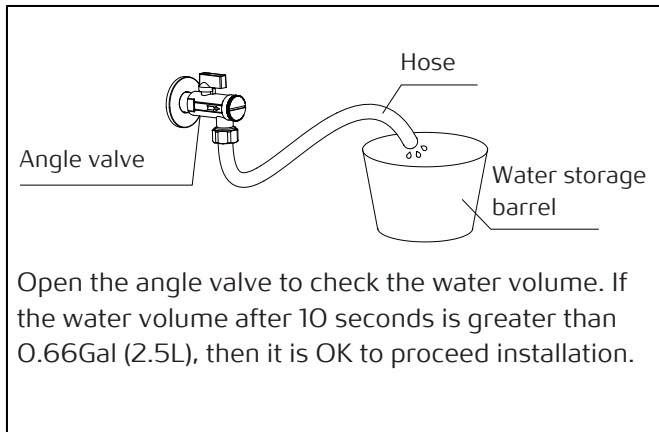


Toilet installation

⚠️ Precaution before installing

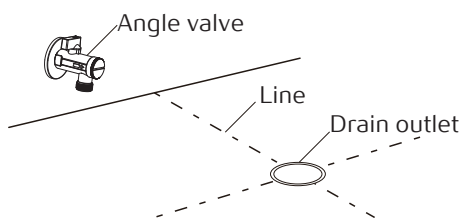
- Minimum dynamic working water pressure: 0.09+MPa (3.96+Gal/min or 15+L/min), failure to meet this pressure will not achieve the best flushing effect.

Note: Apply the methods below if you don't have water pressure testing device.



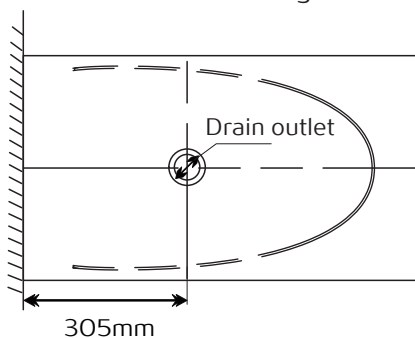
1. Installation of angle valve

- Draw drain outlet centerline on the floor. Install angle valve at proper position on the wall according to the dimension of toilet.



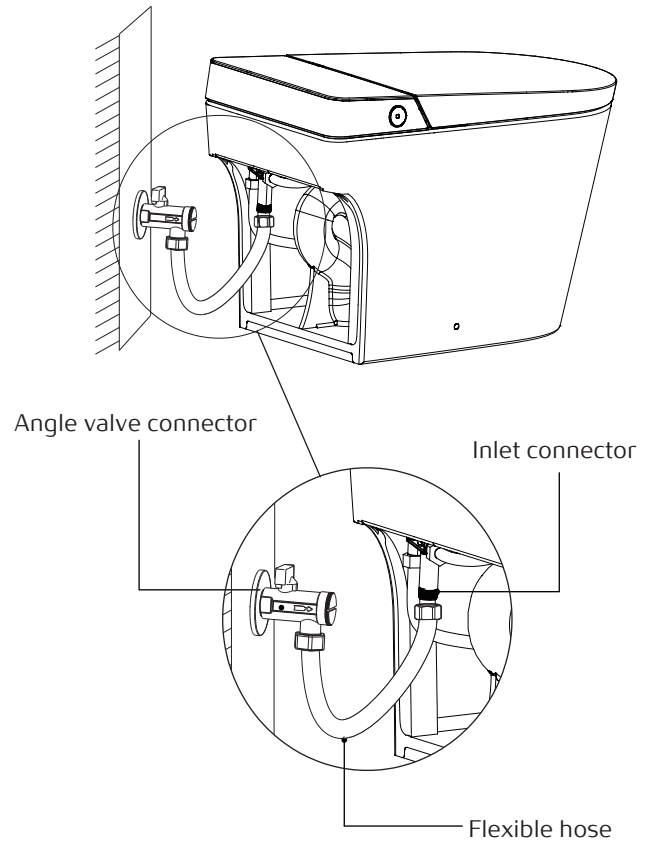
2. Cardboard installation

- Align cardboard with the centerline of drain outlet;
- Draw contour line according to cardboard;



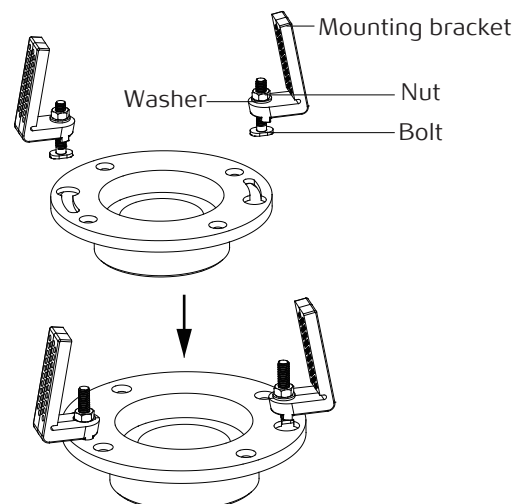
3.Hose

- Connect the water inlet and angle valve of the toilet with the matching hose and tighten it.



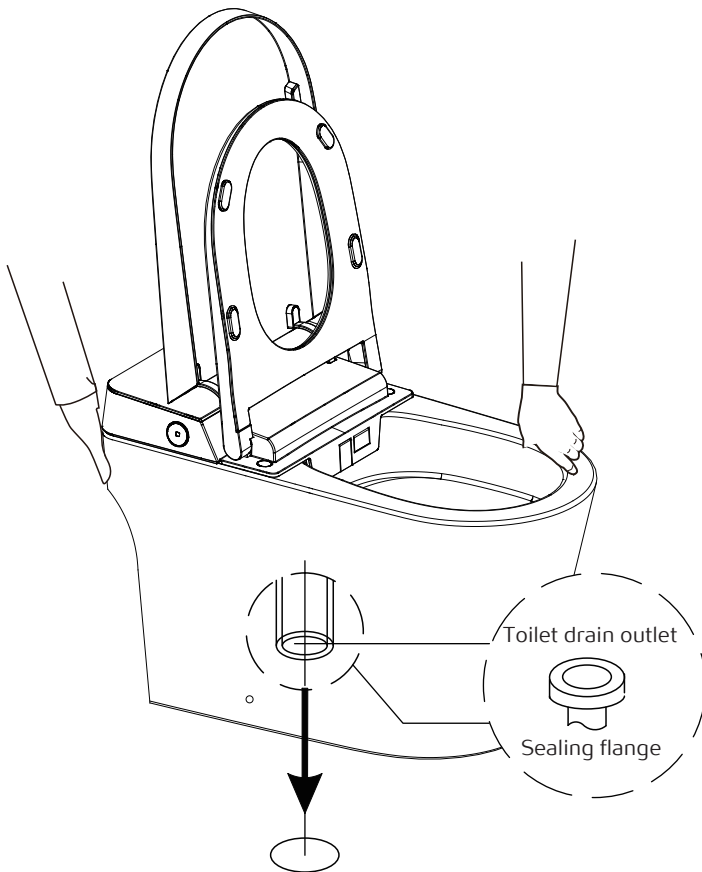
4.Mounting bracket installation

- Assemble the mounting bracket with bolts and then install them to the pre-installed flange plate on the ground and lock tight with nuts.



5. Ceramic toilet installation

- Install a sealing flange into drain outlet;
- Install ceramic toilet on the corresponding position.

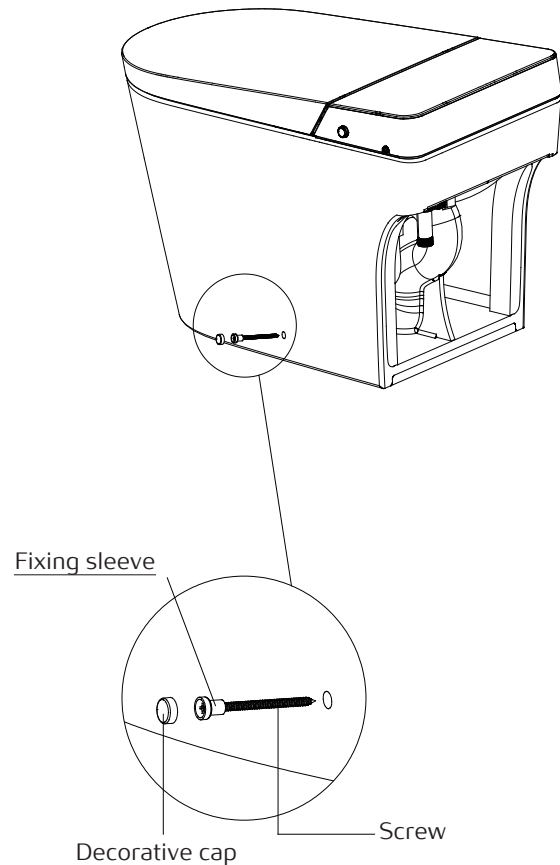


Note:

1. Two people are required to carry the toilet.
2. Please clean up the drain outlet;
3. Please make sure ceramic toilet outlet sits perfectly on drain outlet.

6. Screw installation

- Put the screw through the fixing sleeve and then install it through the holes (on both sides of the toilet ceramic) to the mounting bracket on the ground. Lock tight.
- Install the decorative cap on the fixing sleeve.

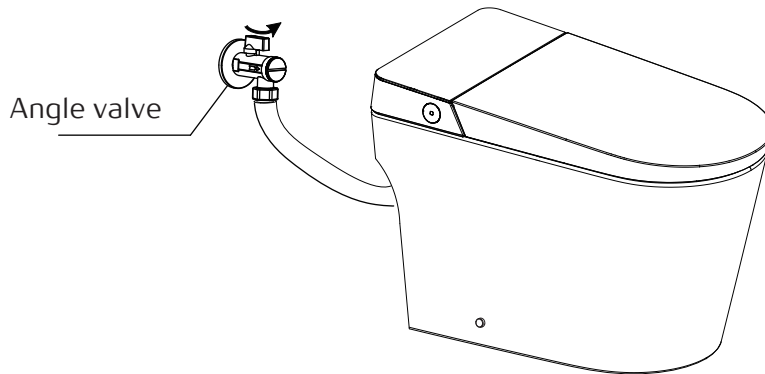


Preparation

1. Turn on the angle valve

Check the threaded connection for leaks to ensure complete sealing. Turn the angle valve counterclockwise to the full open position.

(Note: The angle valve opens with a large torque for the first time.)



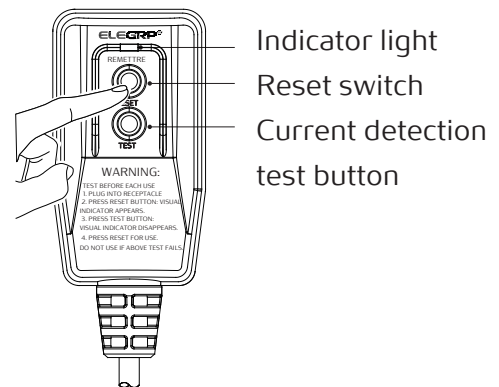
2. Power Connection

- Insert the leakage protection plug into a power socket, press the reset switch, plug indicator lights up, indicating that the power is on.

Note:

Press the test button prior to usage, the reset switch pops up indicating that the leakage protection function is normal.

Press the TEST button (then RESET button) every month to assure proper operation.



* Only for models with leakage protection plug.

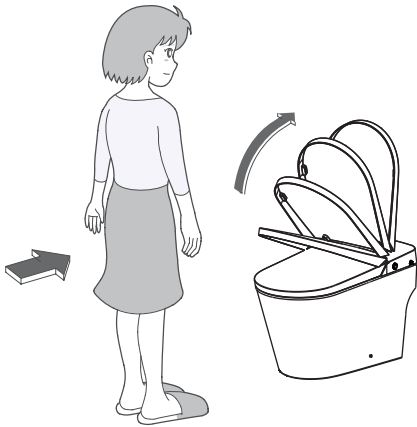
* Please refer to the actual product.

3. Self-inspection

1. Once power is connected, the buzzer beeps, the button lights up in white, and the self-inspection starts.
2. The buzzer beeps again, then the self-inspection completes. The button lights up in white.
3. The product is ready to use.

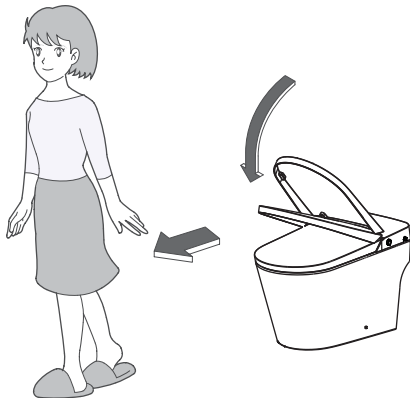
Lid automatic open/close

* Only for the product with lid auto opening/closing function. This function is turned off by default. For the first use, please turn on this function by remote control.



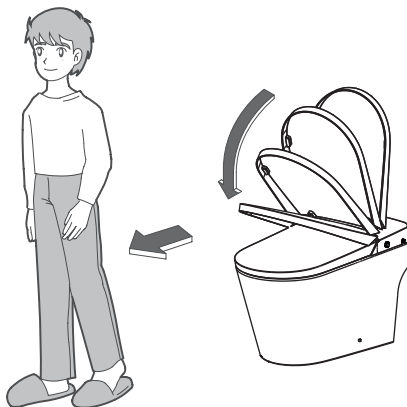
1. Approaching the toilet

When user enters the sensing range, the seat lid opens automatically.



2. Leaving the toilet

The seat lid closes automatically 180 seconds after user leaves.



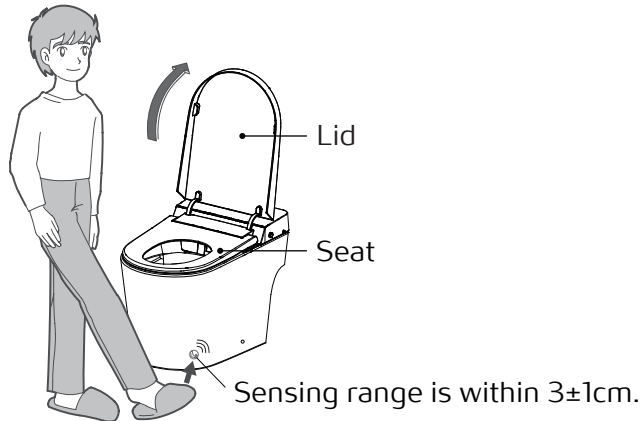
3. Standing up to urinate

1. Open the seat by remote control or hand.
2. The seat and lid close automatically 180 seconds after user leaves.

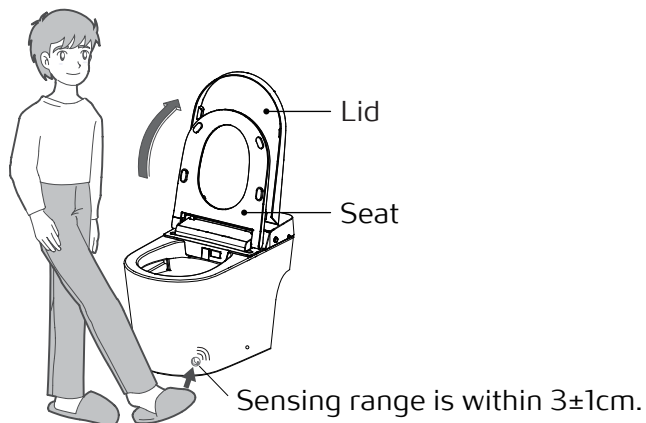
Foot sensor

If the model you purchased has a foot sensor option,

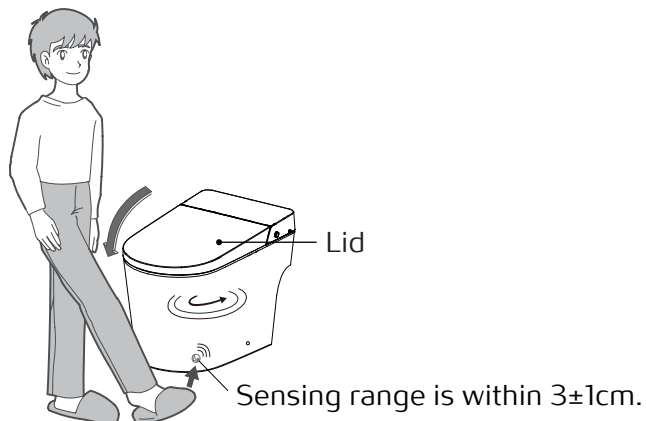
1. When the lid and seat are both closed, approach the sensing area with foot to open the lid.



2. When the lid is open and the seat is closed, approach the sensing area with foot to open the seat.



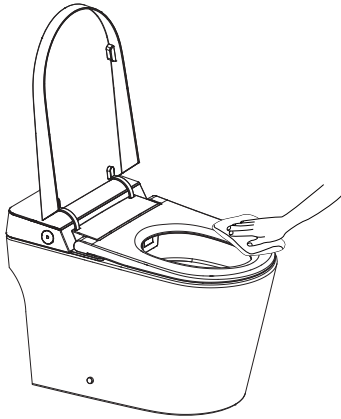
3. When the seat and lid are both open, approach the sensing area with foot to close the seat and lid and activate a half flush.



Maintenance

Main unit care and maintenance

1. Shut off power supply before doing maintenance.
2. Use only a soft, damp cloth to clean. Avoid using harsh chemicals.

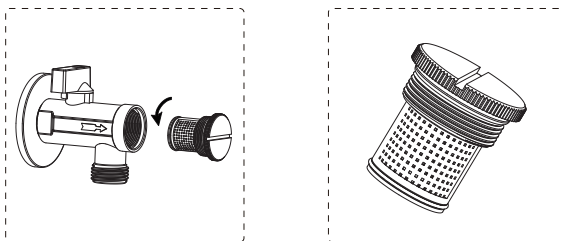


3. Once cleaning is completed and all surfaces are dry, re-connect the power plug.

Filter maintenance

If poor spray performance occurs under normal conditions:

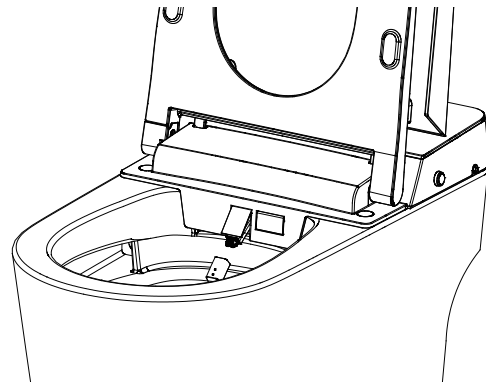
1. Turn off power and the angle valve
2. Unscrew angle valve nut
3. Remove filter net



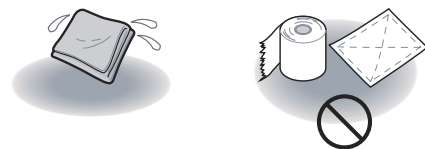
4. Clean out the filter net under running water using a toothbrush
5. Reinstall filter net and angle valve nut
6. Turn on the angle valve and connect the power.

Spray nozzle maintenance and care

1. Nozzle self-cleaning
 - When no one is seated, short press "REAR/MOVE" Button on the main unit, the nozzle will automatically stretch out to allow access for cleaning.
2. Spray nozzle disassembly
 - When the nozzle moves forward, the nozzle can be removed and cleaned separately.



3. Use only a soft cloth or soft brush to clean
 - Do not pull or push the wand, to avoid damage.



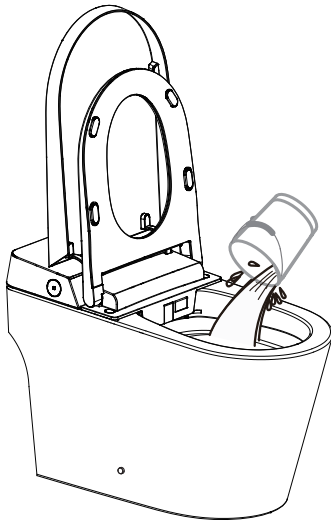
4. Nozzle retraction
 - Put the nozzle back on and press "Stop" Button to return the spray wand to its normal position.

Emergency troubleshooting

Power and water failure

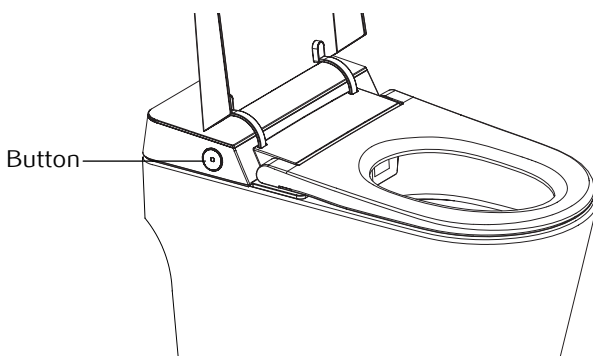
- Put around 2.1Gal (8L) water into a barrel and flush the ceramic bowl.

Note: Avoid water spilling from bowl.



Failure of remote control

1. Operate via buttons on the main unit.



2. Battery replacement

- Remove the remote control from holder.
- Open the battery cover and replace the batteries.
- Put the remote control back.

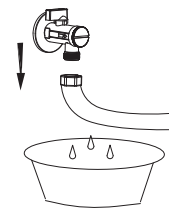
Note: After battery replacement, the remote control settings will be restored to the default. Please reset.

Product unused for a period of time

- When the product is left unused for a long time, especially in cold weather, it is highly recommended to drain the water to prevent freezing.

To discharge water

1. Activate flushing, and then turn off angle valve to stop water supply.
2. Unplug and cut off the electricity
3. Disconnect the hose from angle valve, drain the water and reconnect.



4. For your safety, it is recommended to put antifreeze into the remaining water in the bowl.

* Please turn on power and water supply when using again.




Note: Before water discharging, the power must be cut off.

Description of the button function

 Stop	<ol style="list-style-type: none"> 1. Press and hold Stop Button to enter shutdown mode (white light off), press Stop Button again to return to functional mode (white light always on). In shutdown mode, all functions and buttons (with the exception of the Stop Button) will not operate. 2. When seated, short press Stop Button to stop front washing, rear washing or drying functions; When no one is seated, repeatedly press Stop Button, the main unit will switch between functional mode (white light always on) and energy saving mode (white light flashing).
 Rear washing/ Oscillating washing	<ol style="list-style-type: none"> 1. When seated, press Rear Washing Button to start rear washing function and press again to shift to oscillating washing. Press Stop Button to stop rear washing immediately. After one cycle washing, drying function will be automatically turned on and stop after one cycle. 2. When no one is seated, press Rear Washing Button, the nozzle will stretch out to allow access for cleaning; Press Stop Button, the nozzle will retract.
 Front washing/ Oscillating washing	<p>When seated, press Front Washing Button to start front washing function and press again to shift to oscillating washing. Press Stop Button to stop front washing immediately. After one cycle washing, drying function will be automatically turned on and stop after one cycle.</p>
 Flushing	<ol style="list-style-type: none"> 1. When seated, long press Flushing Button to start drying function. The drying will stop automatically after on cycle, while it will stop immediately if the user presses Stop Button. 2. In non-off mode, short press Flushing Button to start flushing function. During rear washing or front washing, flushing function will not operate. During nozzle cleaning, only when spray wand is fully extended or retracted can flushing function be activated.

Note: Default settings for all functions are intermediate when powering on. Use remote control to switch to the function level set before.

Troubleshooting guide

Problem	Cause	Solution
No water from nozzle	Water supply hose is kinked	Straighten the hose to remove the kink
	Angle valve is off	Turn on the angle valve
	A water failure occurred	Restore the water supply
Poor water spraying	Water supply hose is kinked	Straighten the hose to remove the kink
	Angle valve is not fully turned on	Turn on the angle valve fully
	Filter is clogged	Clean the filter
Low water temperature	The water temperature is not set properly	Adjust the water temperature
Low seat temperature	The seat temperature is not set properly	Adjust the seat temperature
	In standby mode	Switch to functional mode and wait for 3+ minutes
Low dryer temperature	The dryer temperature is not set properly	Adjust the dryer temperature
Dryer not blowing	In standby mode or energy saving mode	Switch to functional mode to use dry function
Spray wand cannot retract	Power off	Push back the spray wand gently and put power on
	Get stuck by impurities	Remove the impurities
Spray wand cannot stretch out	Power off	Turn on the power
	User is not within the sensing area of the seat	Adjust position on seat to activate the sensor
Remote control cannot display	The positive and negative direction of the batteries is incorrect	Reload the batteries
	Low battery	Replace new batteries
Malfunction of deodorization	User is not within the sensing area of the seat	Adjust position on seat to activate the sensor
	Deodorization function continues after user leaves.	It is normal for the deodorizing function to continue operating after user leaves, for complete odor removal.
 Caution	If the problem cannot be resolved as per above solutions, please disconnect the power and contact service providers.	
	If the power leakage protection switch always trips, it means that the product is leaking. Please disconnect the power and contact service providers.	

Warranty Terms

1. One-year limited warranty for commercial installation, and two-year limited warranty for residential installation.
2. Celite warrants its product to be free from defects in materials and workmanship during normal use when properly installed and serviced, for a period of one year for commercial or two years for residential from date of shipment. This limited warranty is only to the ORIGINAL PURCHASER of the products and is not transferable to any third party, including but not limited to any subsequent purchaser or owner of the product. This warranty applies only to the Celite product purchased and installed in USA.
3. Celite's obligations under this warranty are limited to repair, replacement or other appropriate adjustment, at Celite's option, of the product or parts found to be defective in normal use, provided that such product was properly installed, used and serviced in accordance with instructions. Celite reserves the right to obtain necessary information including the claimed product to conduct investigation in order to determine the cause of the defect. Celite is not responsible for the cost of removal, return and/or reinstallation of the product.
4. This warranty does not apply to the following items:
 - a) Damage or loss sustained in a natural calamity such as fire, earthquake, flood, thunder, electrical storm, etc.
 - b) Damage or loss resulting from any accident, unreasonable use, misuse, abuse, negligence, improper care or maintenance of the product.
 - c) Damage or loss resulting from sediments or foreign matter contained in a water system.
 - d) Damage or loss resulting from the quality of water in the region where the product is used.
 - e) Damage or loss resulting from improper installation or from installation of the product in a harsh and/or hazardous environment, or improper removal, repair or modification of the product. This includes locations where the water pressure is above local codes or standards.
 - f) Damage or loss resulting from electrical surges or lightning strikes or other acts which are not the fault of the manufacturer or which the product is not specified to tolerate, including failure to use the factory equipped cord and plug or use of a loose or faulty electrical outlet or use of a current or socket other than a 110V, 60Hz electrical current from a GFI (ground, fused) socket.
 - g) Damage or loss resulting from normal and customary wear and tear, such as gloss reduction, scratching or fading over time due to use, cleaning practices or water or atmospheric conditions, including but not limited to, the use of bleach, alkali, acid cleaners, dry (powder) cleaners or any other abrasive cleaners or the use of metal or nylon scrubbers.
5. If the warning label placed on the seat is broken or otherwise not intact, this limited warranty is void.
6. In order for this limited warranty to be valid, Celite needs to investigate each case. During this process, the customer needs to provide necessary information for Celite to investigate, including but not limited to photos or videos to demonstrate the reported issue, purchase order number, production date or tracking information coming with the product.
7. This warranty gives you specific legal rights. You may have other rights which vary from state to state, province to province or country to country.

WARNING! Celite shall not be responsible or liable for any failure of, or damage to, this product caused by either chloramine in the treatment of public water supply or cleaners containing chlorine (calcium hypochlorite).

NOTE: The use of a high concentrate chlorine or chlorine related products can seriously damage the fittings. This damage can cause leakage and serious property damage.

THIS WRITTEN WARRANTY IS THE ONLY WARRANTY MADE BY THE MANUFACTURER. REPAIR, REPLACEMENT OR OTHER APPROPRIATE ADJUSTMENT AS PROVIDED UNDER THIS WARRANTY SHALL BE THE EXCLUSIVE REMEDY AVAILABLE TO THE ORIGINAL PURCHASER. THE MANUFACTURER SHALL NOT BE RESPONSIBLE FOR LOSS OF THE PRODUCT OR FOR OTHER INCIDENTAL, SPECIAL OR CONSEQUENTIAL DAMAGES OR EXPENSES INCURRED BY THE ORIGINAL PURCHASER, OR FOR LABOR OR OTHER COSTS DUE TO INSTALLATION OR REMOVAL, OR COSTS OF REPAIRS BY OTHERS, OR FOR ANY OTHER EXPENSE NOT SPECIFICALLY STATED ABOVE. IN NO EVENT WILL THE MANUFACTURER'S RESPONSIBILITY EXCEED THE PURCHASE PRICE OF THE PRODUCT. EXCEPT TO THE EXTENT PROHIBITED BY APPLICABLE LAW, ANY IMPLIED WARRANTIES, INCLUDING THAT OF MERCHANTABILITY OR FITNESS FOR USE OR FOR A PARTICULAR PURPOSE, ARE EXPRESSLY DISCLAIMED.