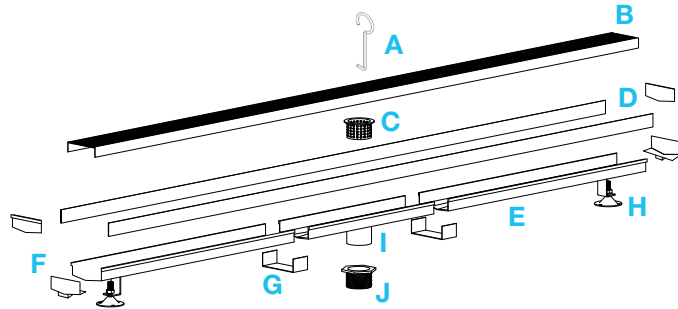


LAGOS LINEAR DRAIN ADJUSTABLE 2" OUTLET

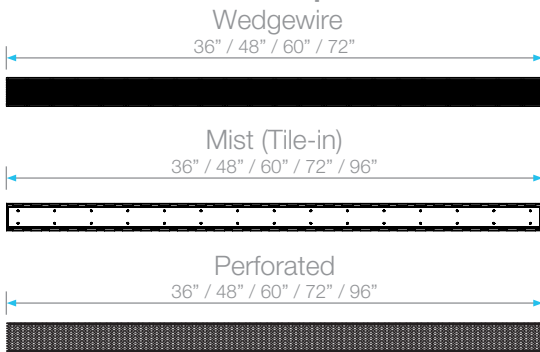
Kit Includes:

- A** Lifting Key
- B** Grate
- C** Hair/Debris Strainer
- D** Trims
- E** PVC Base
- F** Base End Cap
- G** Joiners
- H** Leveling Legs
- I** 2" Outlet
- J** Threaded Nipple
 - + Stainless Steel Cutting Blade

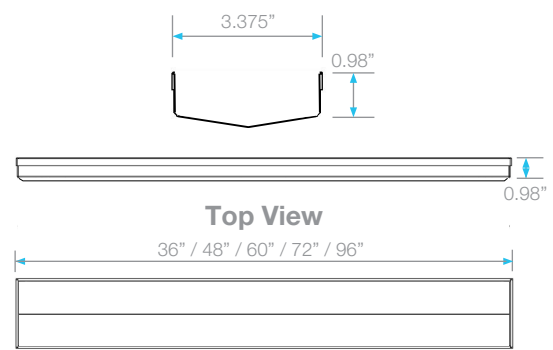


Specifications

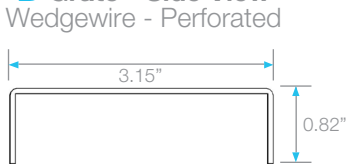
B Grate - Top View



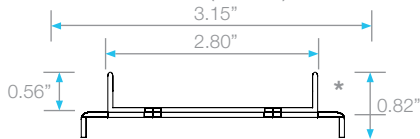
E Base - Side View



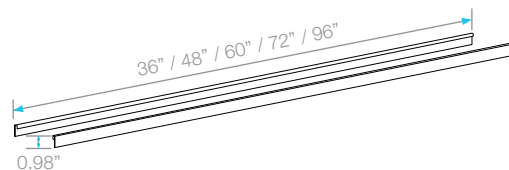
B Grate - Side View



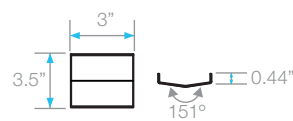
Mist (Tile-in)



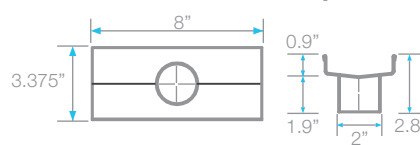
D Trims



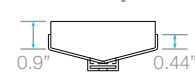
G Joiner - Side & Top View



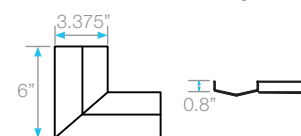
I 2" Outlet - Side & Top View



F Base End Cap - Side View



Corner - Side & Top View





Features

- Stainless Steel 316 Gauges:
Wedgewire grate: 8 gauges = 5mm for edge bars and 9 gauges= 4mm for inside bars.
Perforated & Mist grate: 16 gauge = 1.5 mm.
- PVC Base = 3 mm.
- Works with 2" ABS, PVC or Cast Iron shower drain flange (not included).
- Grate can be removed completely for cleaning.
- Hair Strainer Basket comes with every drain, fits inside the drain to collect hair and other debris, preventing pipe clogs.
- Adjustable is intended for use with traditional waterproofing methods.

Adjustable Complete Kit

	Length	Satin SKU	Polished SKU	Black SKU
Wedgewire 	36"	88.610.36 ST	88.610.36 PS	88.610.36 BK
	48"	88.610.48 ST	88.610.48 PS	88.610.48 BK
	60"	88.610.60 ST	88.610.60 PS	88.610.60 BK
	72"	88.610.72 ST	88.610.72 PS	88.610.72 BK
	96"	88.610.96 ST	88.610.96 PS	88.610.96 BK
Perforated 	36"	88.620.36 ST	88.620.36 PS	
	48"	88.620.48 ST	88.620.48 PS	
	60"	88.620.60 ST	88.620.60 PS	
	72"	88.620.72 ST	88.620.72 PS	
	96"	88.620.96 ST	88.620.96 PS	
Mist (Tile-in) 	36"	88.630.36 ST	88.630.36 PS	
	48"	88.630.48 ST	88.630.48 PS	
	60"	88.630.60 ST	88.630.60 PS	
	72"	88.630.72 ST	88.630.72 PS	
	96"	88.630.96 ST	88.630.96 PS	

Add to Kit (Specification Pages: 131-132)

	Drain Flange	SKU		Square Drain Flange	SKU
	2" PVC	83.FLG.2.PVC		2" PVC	83.SQFLG.2.PVC
	2" ABS	83.FLG.2.ABS		2" ABS	83.SQFLG.2.ABS
	2" Cast Iron No hub	83.FLG.2.CI		2" Cast Iron No hub	83.SQFLG.2.CI
	2" Cast Iron FIP	83.FLG.2.CI.IP		2" Cast Iron FIP	83.SQFLG.2.CI.IP

Note: 72" and *96" Kit includes two outlets, two hair strainers, two pair of joiners and two adapters. 96" Wedgewire Kit has two 48" grates. Choose the kit with equal or greater size than the length wanted; for longer lengths drain connect kits to build the desire length. Installer must verify all rough-in dimensions prior to installation and consult local and national codes. Conformity and compliance to local and national codes are the responsibility of the installer. Dimensions are subject to Manufacturers tolerance and change without notice. We can assume no responsibility for use of superseded or voided data.