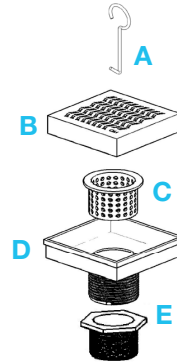


DELMAR SQUARE DRAIN

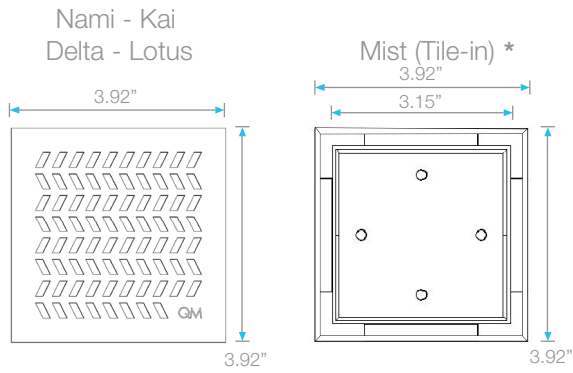
Kit Includes:

- A** Lifting Key
- B** Grate
- C** Hair/Debris Strainer
- D** Base
- E** Threaded Nipple

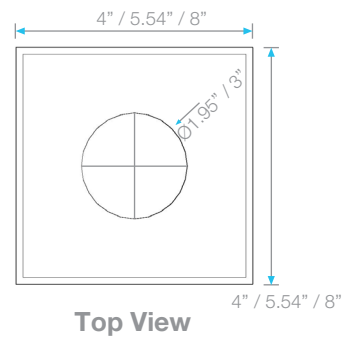


Specifications

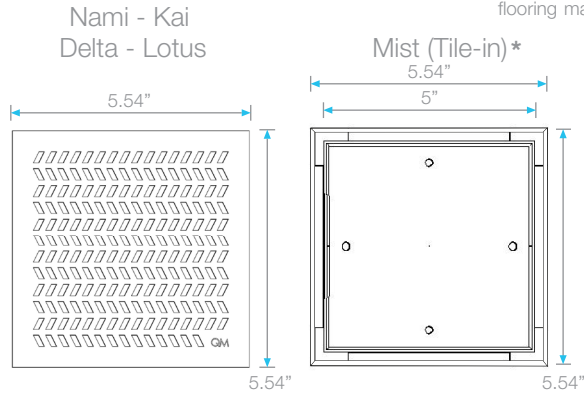
B Grate - Top View 4" x 4"



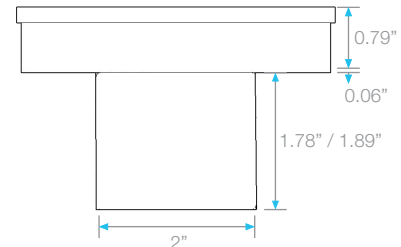
D Base - Top View



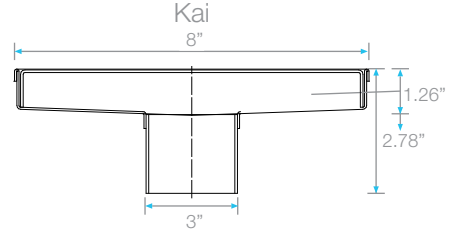
Top View 5 3/4" x 5 3/4"



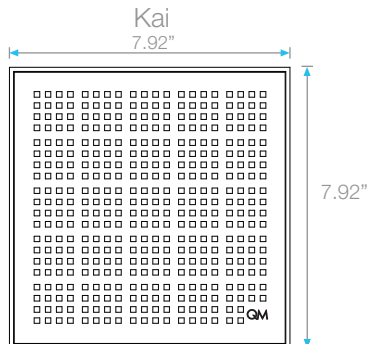
*Note: Tile-In grate accepts flooring material up to 1/2" thickness



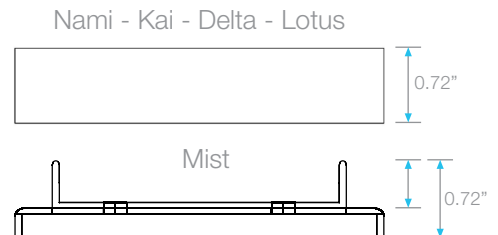
Side View 8" x 8"



Top View 8" x 8"



B Grate - Side View



Features

- 16 gauge 316 Stainless Steel Grate = 1.5 mm.
- 18 gauge 316 Stainless Steel Base = 1.2 mm.
- Works with 2" ABS, PVC or Cast Iron shower drain flange (not included).
- Center Drains is intended for use with traditional waterproofing methods.
- Hair Strainer Basket comes with every drain, fits inside the drain to collect hair and other debris, preventing pipe clogs.
- Grate can be removed completely for cleaning.

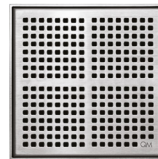
Complete Kit

Nami



Length	Satin SKU
4" x 4"	33.100.04 ST
5 3/4" x 5 3/4"	33.100.06 ST

Kai



Length	Satin SKU
4" x 4"	33.200.04 ST
5 3/4" x 5 3/4"	33.200.06 ST
8" x 8"	33.200.08 ST

(3" OUTLET HIGH FLOW)

Delta



Length	Satin SKU	Polished SKU
4" x 4"	33.300.04 ST	33.300.04 PS
5 3/4" x 5 3/4"	33.300.06 ST	33.300.06 PS

Mist



Length	Satin SKU
4" x 4"	33.500.04 ST
5 3/4" x 5 3/4"	33.500.06 ST

Lotus



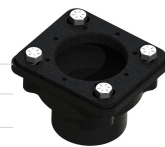
Length	Bronze SKU	Black SKU	Satin Gold SKU
4" x 4"	33.400.04 BZ	33.400.04 BK	33.400.04 GD
5 3/4" x 5 3/4"	33.400.06 BZ	33.400.06 BK	33.400.06 GD

Add to Kit (Specification Pages: 131-132)



Drain Flange	SKU
2" PVC	83.FLG.2.PVC
2" ABS	83.FLG.2.ABS
2" Cast Iron No hub	83.FLG.2.CI
2" Cast Iron FIP	83.FLG.2.CI.IP
3" High Flow	83.FLG.3.PVC

(only for Kai 8" HF)



Square Drain Flange	SKU
2" PVC	83.SQFLG.2.PVC
2" ABS	83.SQFLG.2.ABS
2" Cast Iron No hub	83.SQFLG.2.CI
2" Cast Iron FIP	83.SQFLG.2.CI.IP

Note: If modern waterproofing method is intended using a bonded flange, add a bonded flange adaptor. See page 132
 Installer must verify all rough-in dimensions prior to installation and consult local and national codes. Conformity and compliance to local and national codes are the responsibility of the installer. Dimensions are subject to Manufacturers tolerance and change without notice.
 We can assume no responsibility for use of superseded or voided data.