

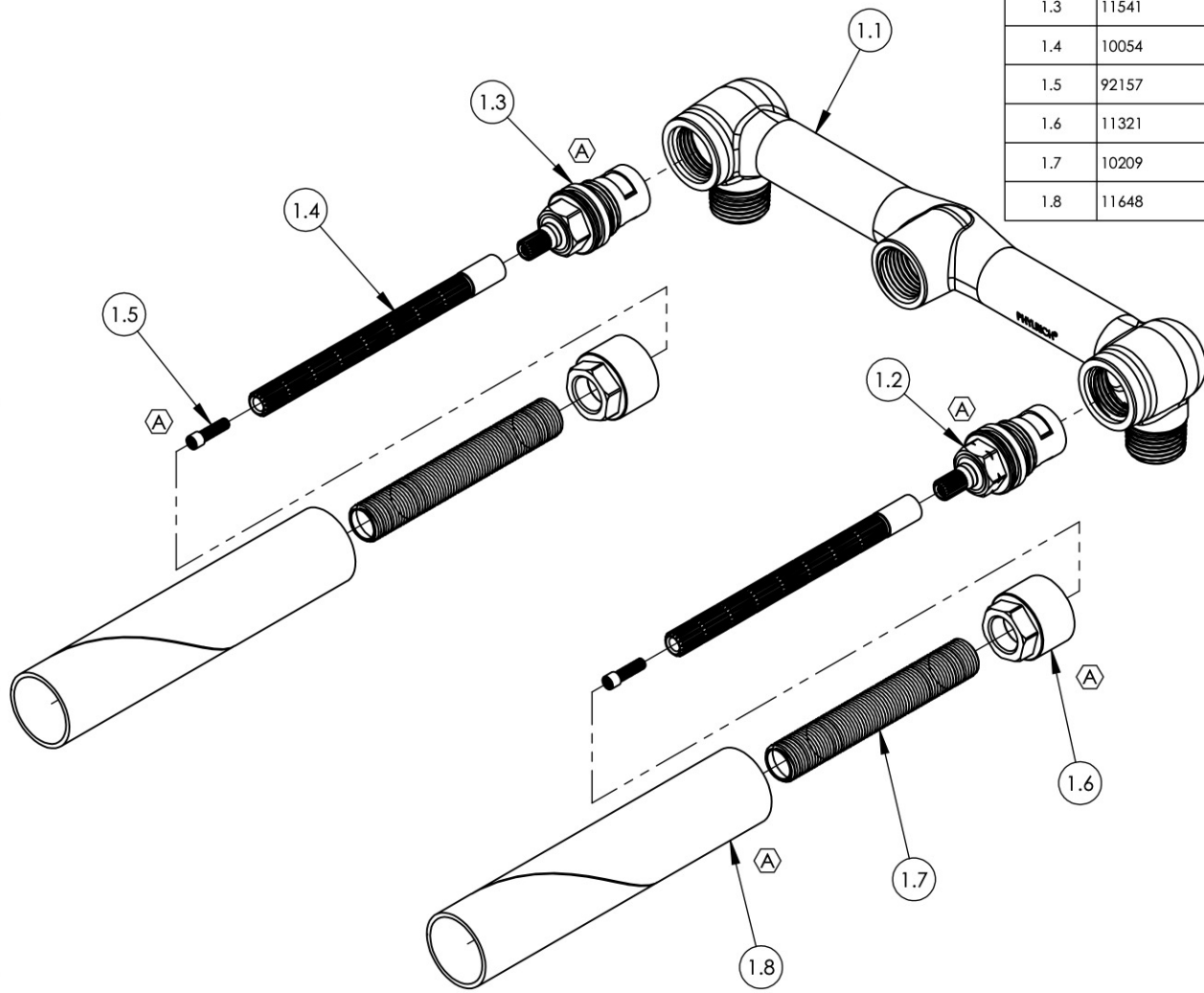
ITEM NO.	PART NO.	DESCRIPTION	QTY.
1	1-047	INWALL LAV, TWO HANDLE G1/2" 16PT, NO LEAD	1
1.1	10106	VALVE BODY, LAV INWALL	1
1.2	11540	CARTRIDGE, 1/2"G 20PT HOT, HI-TRQ LLL, EXACTO	1
1.3	11541	CARTRIDGE, 1/2" 20PT COLD, HI-TRQ LLL, EXACTO	1
1.4	10054	STEM EXTENSION, 6" LONG 20PT INT. TO 16PT LONG EXT. BROACH	2
1.5	92157	SCREW, SMALL HD M4X0.7 - 1/2"L	2
1.6	11321	CARTRIDGE RETAINER NUT	2
1.7	10209	SHANK, NIPPLE THREAD ALL 9/16"-20UN WITH .433"ID	2
1.8	11648	MUD GUARD, CARDBOARD, LONG	2

A

B

C

D



E

B3	A	UPDATED CARTRIDGES, RETAINER NUT, SCREW AND MUD GUARD	2/22/2018	RAH
ZONE	REV.	DESCRIPTION	DATE	APPROVED
REVISIONS				
1261 LOGAN AVENUE COSTA MESA, CALIFORNIA 92626 PHONE: 714.361.4800 FAX: 714.617.3120		<b>PROPRIETARY AND CONFIDENTIAL</b>		
<b>RSS</b> MANUFACTURING		THE INFORMATION CONTAINED IN THIS DRAWING IS THE SOLE PROPERTY OF RSS MANUFACTURING. ANY REPRODUCTION IN PART OR AS A WHOLE WITHOUT THE WRITTEN PERMISSION OF RSS MANUFACTURING IS PROHIBITED.		
		<b>DO NOT SCALE DRAWING</b>		

-		INTERPRET GEOMETRIC DIMENSIONING & TOLERANCING IN ACCORDANCE WITH ASME Y14.5-2009 & ASME Y14.41-2003 STANDARDS. UNLESS OTHERWISE SPECIFIED, DIMENSIONS ARE IN INCHES. TOLERANCES ARE:		
NEXT ASSY	USED ON	FRACTIONS ±1/64"	DECIMALS X.X: ±.1 X.XX: ±.01 X.XXX: ±.005	ANGULAR ±.5°
APPLICATION		MATERIAL	NAME	DATE
FINISH		DRAWN	MAF	6/18/2013
CHECKED		GRE		

ASSY, WALL LAVATORY SET VALVE			
SIZE	ASM/PRT NO.	REV	
<b>A</b>	8090536RNL	A	
SCALE: 1:2.5	WEIGHT: lbs.	SHEET 1 OF 2	

5

4

3

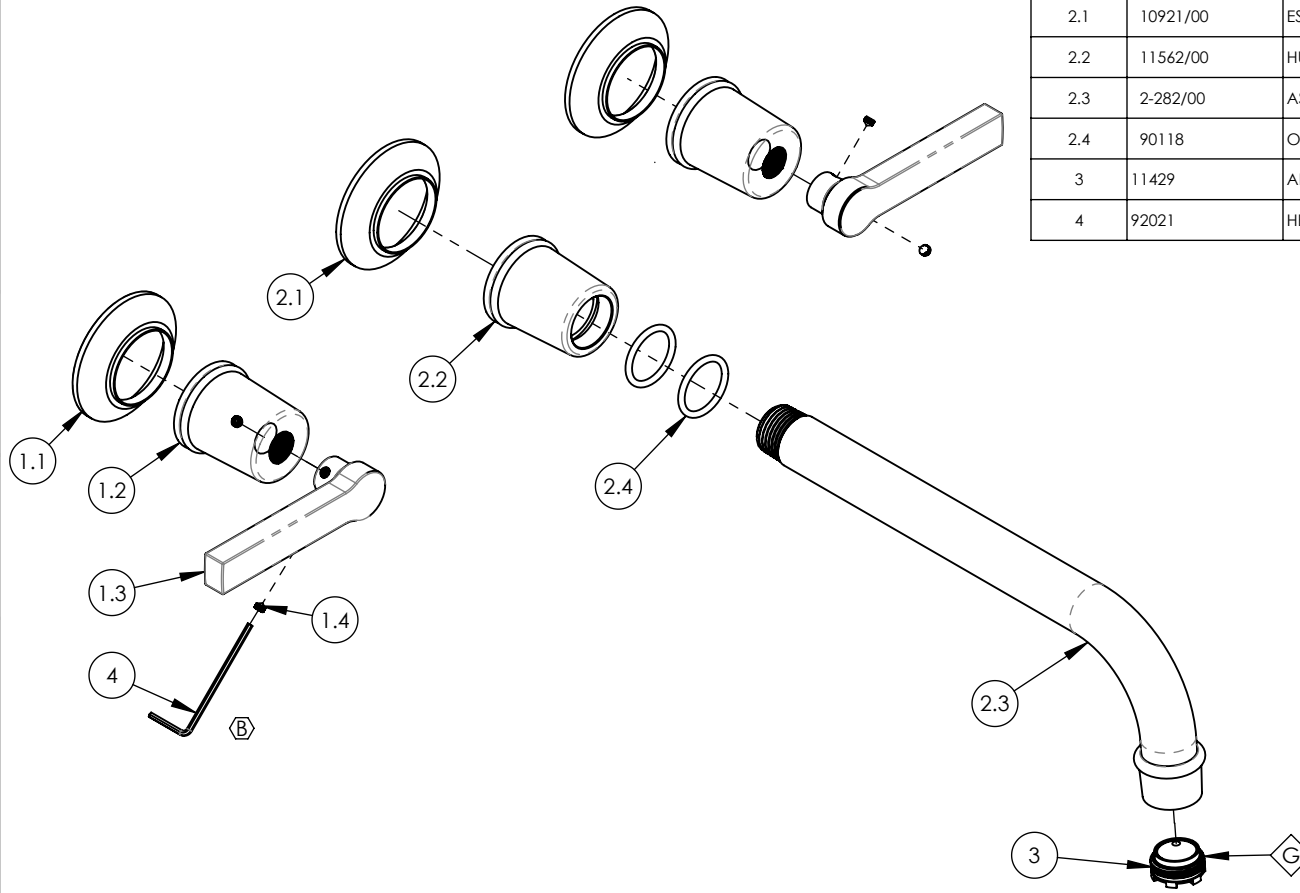
2

1

- NOTE(S):
- PART NUMBER, "/00" DENOTES PART SHALL HAVE FINISH.
  - APPLY NSF COMPLIANT GREASE TO ANY O-RING, SEALING JOINTS, AND/OR PIVOTAL POINTS.
  - APPLY NSF COMPLIANT LOCTITE TO THREADED AREA.
  - APPLY NSF COMPLIANT REMOVABLE (BLUE) LOCTITE TO THREADED AREA.
  - SILVER SOLDER JOINTS SHALL BE FULLY WETTED VIA CAPILLARY ACTION AND COMPLETELY NON-POROUS.



ITEM NO.	PART NUMBER	DESCRIPTION	QTY.
1	3-133/00	LEVER HANDLE, HEX MODERN, 501 SERIES	2
1.1	10921/00	ESCUTCHEON, TRANSITIONAL	1
1.2	10922/00	HUB, FOR HEX TRANSITIONAL	1
1.3	11036/00	HANDLE LEVER, CONTEMPORARY 16PT	1
1.4	92163	SET SCREW, CONE PT 8-32 X 1/8"L	2
2	3-555/00	ASSY, WALL SPOUT, HEX MODERN	1
2.1	10921/00	ESCUTCHEON, TRANSITIONAL	1
2.2	11562/00	HUB WALL SPOUT, HEX MOD. TRANS.	1
2.3	2-282/00	ASSY, WALL SPOUT, BRAZE, HEX MODERN	1
2.4	90118	O-RING, 7/8"ID X 1-1/16"OD X 3/32"THK, AS-568-118	2
3	11429	AERATOR CACHE JR, 1.2GPM, M21.5X1.0, 42.2260.450	1
4	92021	HEX KEY 5/64, FOR 8-32 SET SCREW	1



ZONE	REV.	DESCRIPTION	DATE	APPROVED
B5	B	UPDATE HEX KEY PART #	4/20/2021	AMM
REVISIONS				

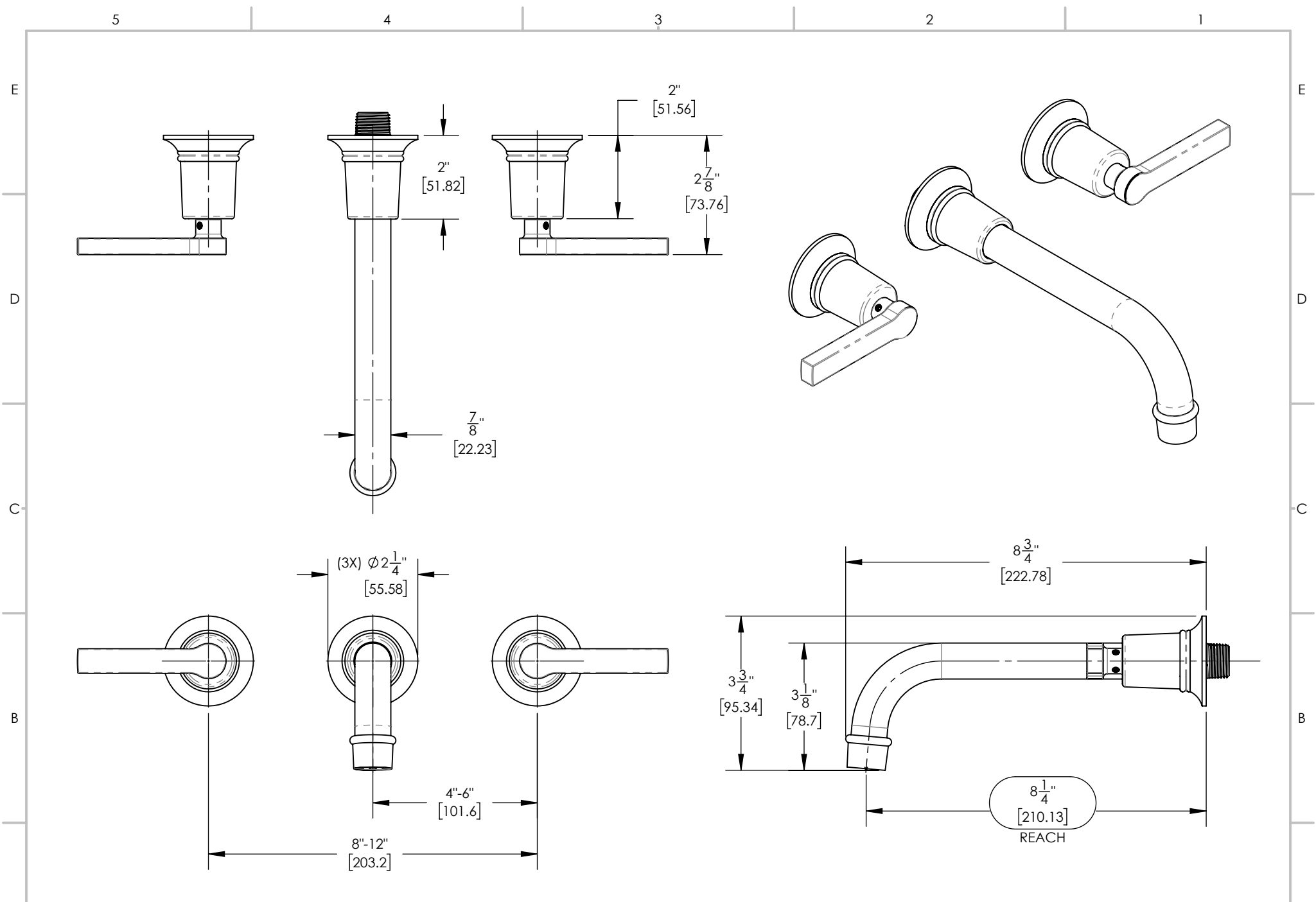
1261 LOGAN AVENUE  
COSTA MESA, CALIFORNIA 92626  
PHONE: 714.361.4800  
FAX: 714.617.3120

**PHYLIRICH**<sup>®</sup>  
Defining Luxury Since 1959

**PROPRIETARY AND CONFIDENTIAL**  
THE INFORMATION CONTAINED IN THIS DRAWING IS THE SOLE PROPERTY OF PHYLIRICH. ANY REPRODUCTION IN PART OR AS A WHOLE WITHOUT THE WRITTEN PERMISSION OF PHYLIRICH IS PROHIBITED.  
**DO NOT SCALE DRAWING**

WALL LAV SET, TUBE SPOUT W/ LEVER HANDLE, HEX MODERN

SIZE <b>A</b>	ASM/PRT NO. 501-14/00	REV B
SCALE: 1:3	WEIGHT: lbs.	SHEET 1 OF 2



1261 LOGAN AVENUE  
 COSTA MESA, CALIFORNIA 92626  
 PHONE: 714.361.4800  
 FAX: 714.617.3120

**PHYLIRICH**<sup>®</sup>  
 Defining Luxury Since 1959

**PROPRIETARY AND CONFIDENTIAL**  
 THE INFORMATION CONTAINED IN THIS DRAWING IS THE SOLE PROPERTY OF PHYLIRICH. ANY REPRODUCTION IN PART OR AS A WHOLE WITHOUT THE WRITTEN PERMISSION OF PHYLIRICH IS PROHIBITED.  
**DO NOT SCALE DRAWING**

**WALL LAV SET, TUBE SPOUT W/ LEVER HANDLE, HEX MODERN**

<b>SIZE</b> <b>A</b>	ASM/PRT NO. 501-14/00	REV B
SCALE: 1:3	WEIGHT: lbs.	SHEET 2 OF 2