

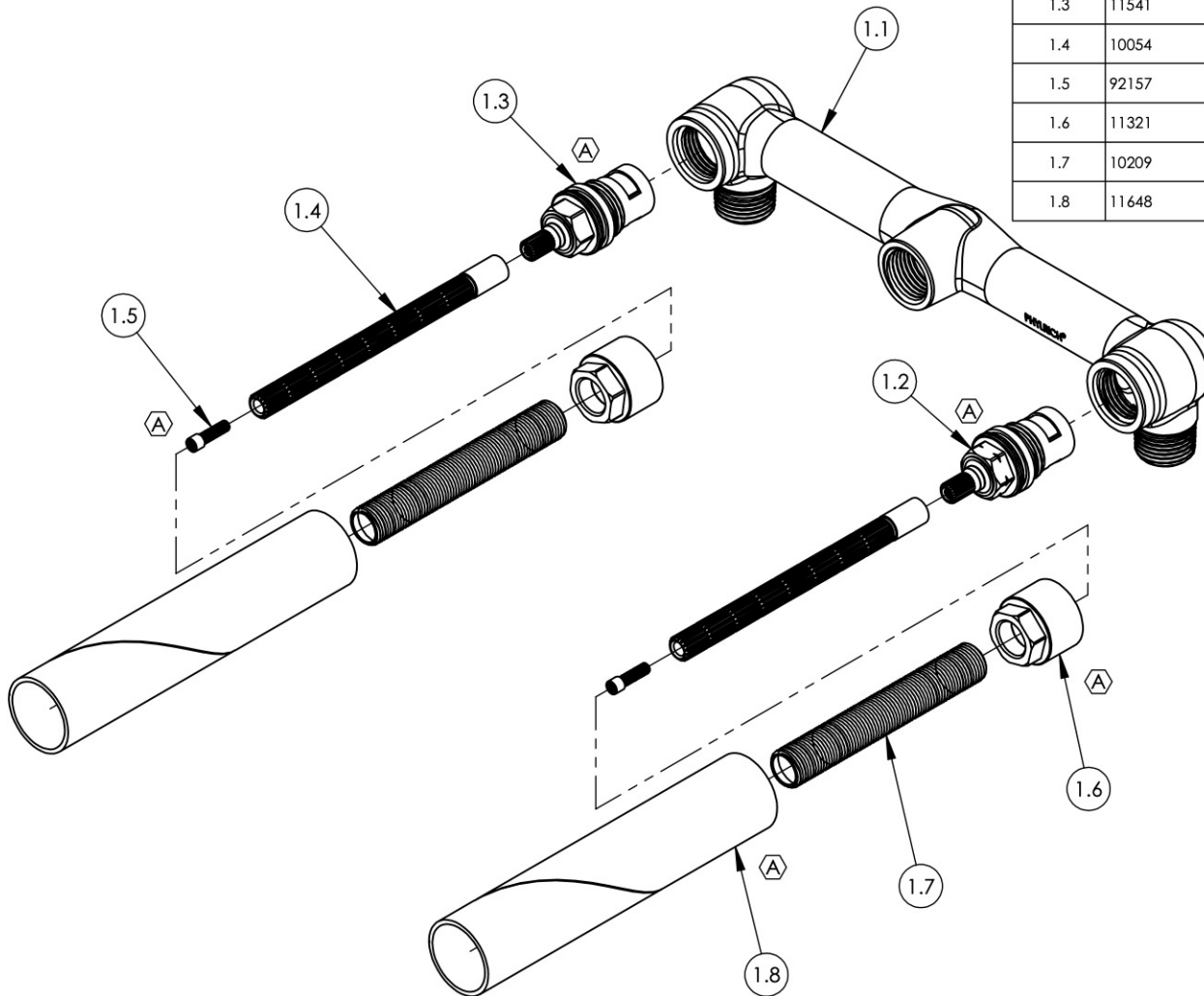
| ITEM NO. | PART NO. | DESCRIPTION | QTY. |
|----------|----------|--|------|
| 1 | 1-047 | INWALL LAV, TWO HANDLE G1/2" 16PT, NO LEAD | 1 |
| 1.1 | 10106 | VALVE BODY, LAV INWALL | 1 |
| 1.2 | 11540 | CARTRIDGE, 1/2"G 20PT HOT, HI-TRQ LLL, EXACTO | 1 |
| 1.3 | 11541 | CARTRIDGE, 1/2" 20PT COLD, HI-TRQ LLL, EXACTO | 1 |
| 1.4 | 10054 | STEM EXTENSION, 6" LONG 20PT INT. TO 16PT LONG EXT. BROACH | 2 |
| 1.5 | 92157 | SCREW, SMALL HD M4X0.7 - 1/2"L | 2 |
| 1.6 | 11321 | CARTRIDGE RETAINER NUT | 2 |
| 1.7 | 10209 | SHANK, NIPPLE THREAD ALL 9/16"-20UN WITH .433"ID | 2 |
| 1.8 | 11648 | MUD GUARD, CARDBOARD, LONG | 2 |

A

B

C

D



E

| B3 | A | UPDATED CARTRIDGES, RETAINER NUT, SCREW AND MUD GUARD | 2/22/2018 | RAH |
|------|------|---|-----------|----------|
| ZONE | REV. | DESCRIPTION | DATE | APPROVED |

REVISIONS

PROPRIETARY AND CONFIDENTIAL

THE INFORMATION CONTAINED IN THIS DRAWING IS THE SOLE PROPERTY OF RSS MANUFACTURING. ANY REPRODUCTION IN PART OR AS A WHOLE WITHOUT THE WRITTEN PERMISSION OF RSS MANUFACTURING IS PROHIBITED.

1261 LOGAN AVENUE
COSTA MESA, CALIFORNIA 92626
PHONE: 714.361.4800
FAX: 714.617.3120



| | | | | | |
|-----------------------------|---------|---------------------|--|---|--|
| - | | - | | INTERPRET GEOMETRIC DIMENSIONING & TOLERANCING IN ACCORDANCE WITH ASME Y14.5-2009 & ASME Y14.41-2003 STANDARDS. UNLESS OTHERWISE SPECIFIED, DIMENSIONS ARE IN INCHES. TOLERANCES ARE: | |
| NEXT ASSY | USED ON | FRACTIONS ±1/64" | DECIMALS X.X: ±.1 X.XX: ±.01 X.XXX: ±.005 | ANGULAR ±.5° | |
| APPLICATION | | | NAME | DATE | |
| MATERIAL | | | MAF | 6/18/2013 | |
| FINISH | | DRAWN | GRE | | |
| DO NOT SCALE DRAWING | | CHECKED | | | |

ASSY, WALL LAVATORY SET VALVE

| SIZE | ASM/PRT NO. | REV |
|----------|-------------|-----|
| A | 8090536RNL | A |

SCALE: 1:2.5 WEIGHT: lbs. SHEET 1 OF 2

5

4

3

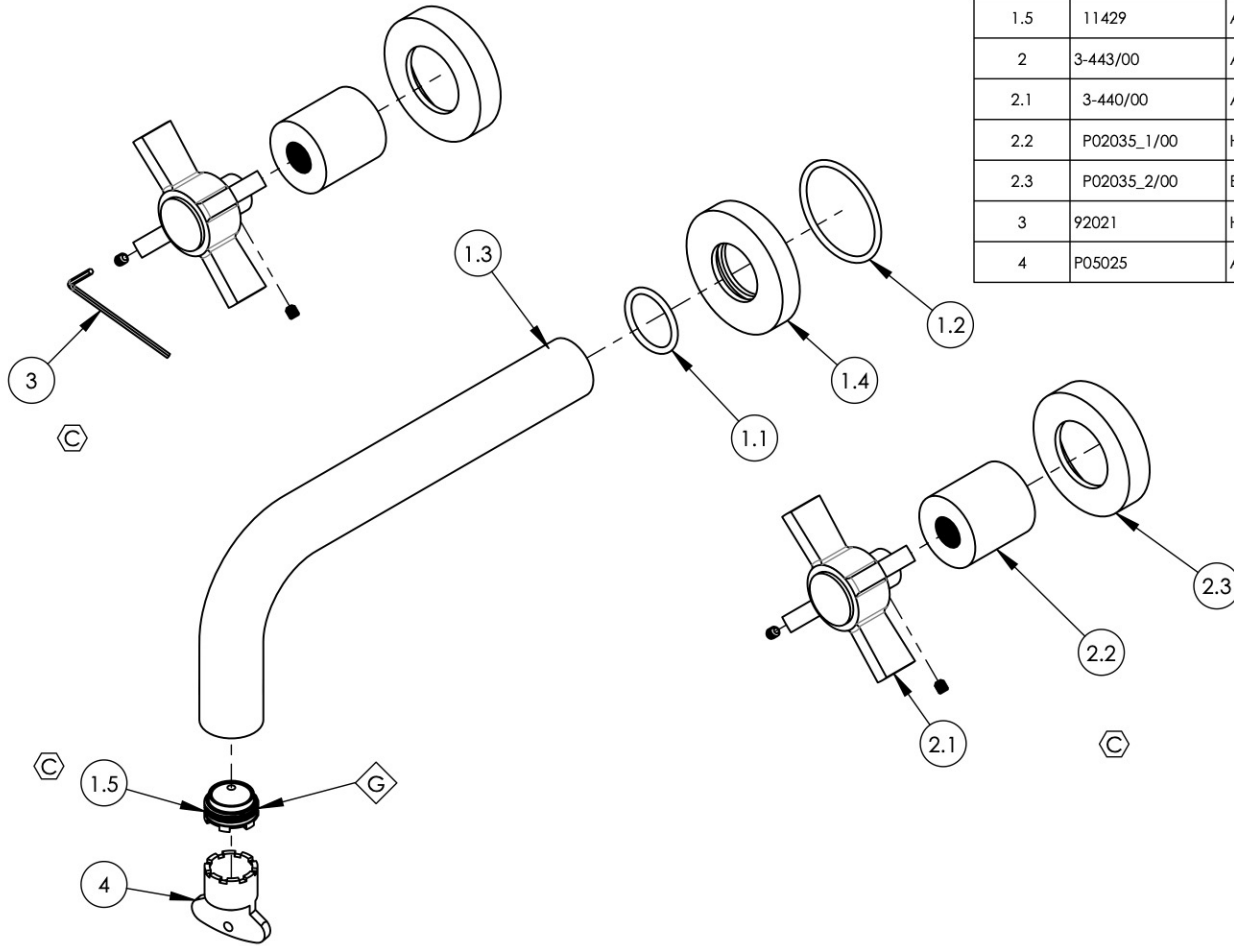
2

1

- NOTE(S):
1. PART NUMBER, "/00" DENOTES PART SHALL HAVE FINISH.
 2. APPLY NSF COMPLIANT GREASE TO ANY O-RING, SEALING JOINTS, AND/OR PIVOTAL POINTS.
 3. APPLY NSF COMPLIANT LOCTITE TO THREADED AREA.
 4. APPLY NSF COMPLIANT REMOVABLE (BLUE) LOCTITE TO THREADED AREA.
 5. SILVER SOLDER JOINTS SHALL BE FULLY WETTED VIA CAPILLARY ACTION AND COMPLETELY NON-POROUS.

-  G
-  L
-  B
-  S

| ITEM NO. | PART NUMBER | DESCRIPTION | QTY. |
|----------|-------------|--|------|
| 1 | 3-414/00 | ASSY. 7 1/2" C-C WALL LAV. SPOUT, BASIC | 1 |
| 1.1 | 90119 | O-RING, 15/16"ID X 1-1/8"OD X 3/32"THK, AS-568-119 | 1 |
| 1.2 | 90129 | O-RING, 1-9/16"ID X 3/32THK, AS-568-129 | 1 |
| 1.3 | P19018/00 | 7-1/2" WALL LAV SPOUT, BASIC SERIES | 1 |
| 1.4 | P19017/00 | ESCUTCHEON, FOR SPOUT | 1 |
| 1.5 | 11429 | AERATOR CACHE JR, 1.2GPM, M21.5X1.0, 42.2260.450 | 1 |
| 2 | 3-443/00 | ASSY. BLADE CROSS HANDLE, BASIC | 2 |
| 2.1 | 3-440/00 | ASSY. BLADE HANDLE, BASIC SERIES | 1 |
| 2.2 | P02035_1/00 | HUB ESCUTCHEON, CONTEMPORARY TOP | 1 |
| 2.3 | P02035_2/00 | ESCUTCHEON, CONTEMPORARY | 1 |
| 3 | 92021 | HEX KEY 5/64, FOR 8-32 SET SCREW | 1 |
| 4 | P05025 | AERATOR, BASIC KEY, PLASTIC RED | 1 |



| | | | | |
|------------|------|--|------------|----------|
| C5, B5, B3 | C | UPDATE HANDLE ASSEMBLY, AERATOR, & HEX KEY | 10/29/2021 | AMM |
| ZONE | REV. | DESCRIPTION | DATE | APPROVED |
| REVISIONS | | | | |

1261 LOGAN AVENUE
COSTA MESA, CALIFORNIA 92626
PHONE: 714.361.4800
FAX: 714.617.3120

PHYLIRICH[®]
Defining Luxury Since 1959

PROPRIETARY AND CONFIDENTIAL
THE INFORMATION CONTAINED IN THIS DRAWING IS THE SOLE PROPERTY OF PHYLIRICH. ANY REPRODUCTION IN PART OR AS A WHOLE WITHOUT THE WRITTEN PERMISSION OF PHYLIRICH IS PROHIBITED.
DO NOT SCALE DRAWING

WALL LAV SET, 7-1/2"L W/ CROSS BLADE, BASIC, (132-11)

| | | |
|------------------|--------------------------|--------------|
| SIZE A | ASM/PRT NO. DWL137/00 | REV C |
| SCALE: 1:3 | WEIGHT: lbs. | SHEET 1 OF 2 |