

NEWPORT BATH

Features

- Solid brass construction
- Provides anti-scald protection and temperature regulation
- Pressure-balancing technology maintains water temperature within +/- 2 degrees Fahrenheit
- High-temperature safety stop ensures water temperature stays below maximum setting
- Integral hot and cold inlet stops ensure easy cartridge access
- 1-1/16" functional depth (center-back) enables back-to-back installation.
- Maximum handle rotational requirement of 150 degrees to achieve maximum temperature setting

BP Rough Valve

1-684



Codes / Standards Compliance

Meets or exceeds the following at date of manufacture:

- ASME A112.18.1/CSA B125.1
- IAMPO/cUPC
- IPC
- ASSE 1016 / ASME A112.1016
- All applicable US Federal and State material regulations



Colors / Finishes

- 10B: Oil Rubbed Bronze
- 15: Polished Nickel
- 15S: Satin Nickel - PVD
- 26: Polished Chrome
- Other: Refer to the Newport Brass catalog for additional color/finish options.

Specified Model

Model	Description	Colors Finishes
1-684	Balance Pressure Valve W/ Diverter For Tub and Shower	<input type="checkbox"/> NA

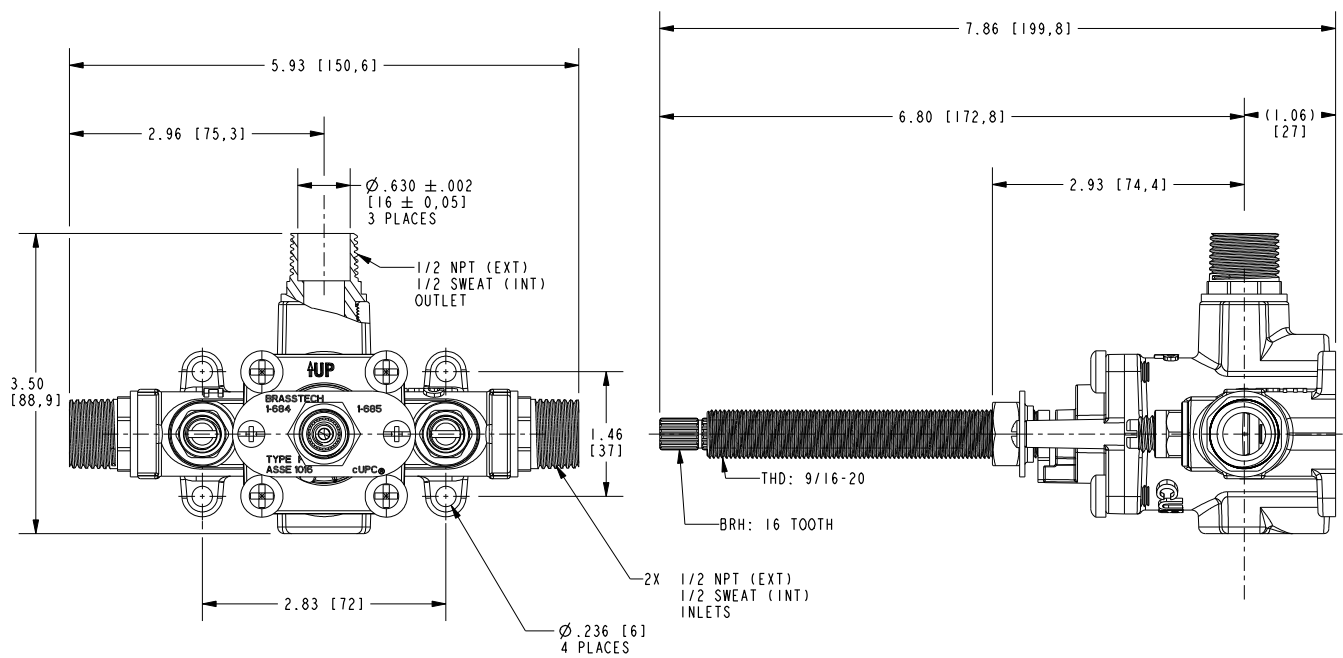
Product Specification:

Add "Color / Finish" suffix to Model number, below.

The Balance Pressure Valve for shower installations shall be made of solid brass construction. Valve shall provide anti-scald protection and temperature regulation while maintaining a constant set temperature of +/- 2 °F when exposed to in-line pressure variations. Valve shall incorporate a high-temperature safety stop to allow for maximum temperature control at time of installation. Valve inlets shall include integral stops and incorporate a universal design so as to allow both NPT and direct sweat connections. V Valve shall incorporate mounting tabs along the back surface. Valve shall have a functional depth (center – back) of 1-1/16" and a maximum permissible handle rotation of 150° to achieve maximum temperature setting. Balance Pressure Valve for shower installations shall be Newport Brass Model 1-684.

1-684

PRODUCT DIMENSIONS *(Units are in inches)*



(MUD COVER IS HIDDEN IN ALL THE VIEWS)

Newport BP Rough Valve 1-684

EAST SQUARE

Features

- Solid brass construction
- Face plate with ADA compliant contemporary lever handle
- ADA compliant contemporary lever & cross handle assembly options for control valve
- Intended for use with Newport Brass rough valve(s) as specified (Required Accessory)
- ADA Compliant

Codes / Standards Compliance

Meets or exceeds the following at date of manufacture:

- ASME A112.18.1/CSA B125.1
- IAMPO/cUPC
- IPC
- ADA & ICC/ANSI A117.1
- All applicable US Federal and State material regulations

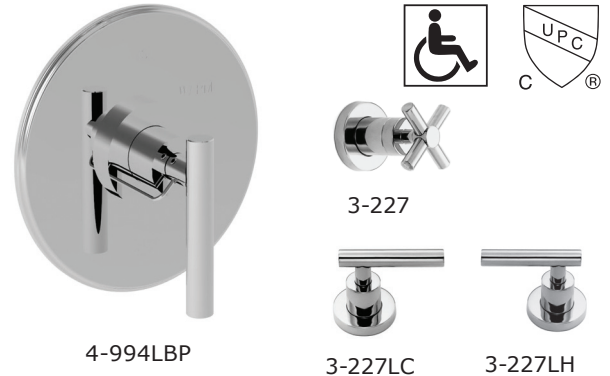
Colors / Finishes

- 10B: Oil Rubbed Bronze
- 15: Polished Nickel
- 15S: Satin Nickel - PVD
- 26: Polished Chrome
- Other: Refer to the Newport Brass catalog for additional color/finish options.

**Tub or Shower Trim
(less tub spout or showerhead, arm or flange)**

4-994LBP

Also 3-227, 3-227LC, 3-227LH



Specified Model

Model	Description	Colors Finishes				
4-994LBP	Tub or Shower Trim (less tub spout or showerhead, arm or flange)	<input type="checkbox"/> 10B	<input type="checkbox"/> 15	<input type="checkbox"/> 15S	<input type="checkbox"/> 26	<input type="checkbox"/> Other
3-227	Shower System Control Valve Trim (Escutcheon/Handle)	<input type="checkbox"/> 10B	<input type="checkbox"/> 15	<input type="checkbox"/> 15S	<input type="checkbox"/> 26	<input type="checkbox"/> Other
3-227LC	Shower System Control Valve Trim (Escutcheon/Handle, Cold)	<input type="checkbox"/> 10B	<input type="checkbox"/> 15	<input type="checkbox"/> 15S	<input type="checkbox"/> 26	<input type="checkbox"/> Other
3-227LH	Shower System Control Valve Trim (Escutcheon/Handle, Hot)	<input type="checkbox"/> 10B	<input type="checkbox"/> 15	<input type="checkbox"/> 15S	<input type="checkbox"/> 26	<input type="checkbox"/> Other

Required Accessory: Trim(s), above, and Rough Valve(s), below, must be specified.

System Element	Shower (or Tub) Valve (Choose One)		Control Valve (Optional)
Description	BP Valve Option A	BP Valve Option B	3-Outlet Diverter
Inlet/Outlet Size	1/2"	1/2"	1/2"
Part Number	<input type="checkbox"/> 1-594	<input type="checkbox"/> 1-684	<input type="checkbox"/> 1-703
Image			

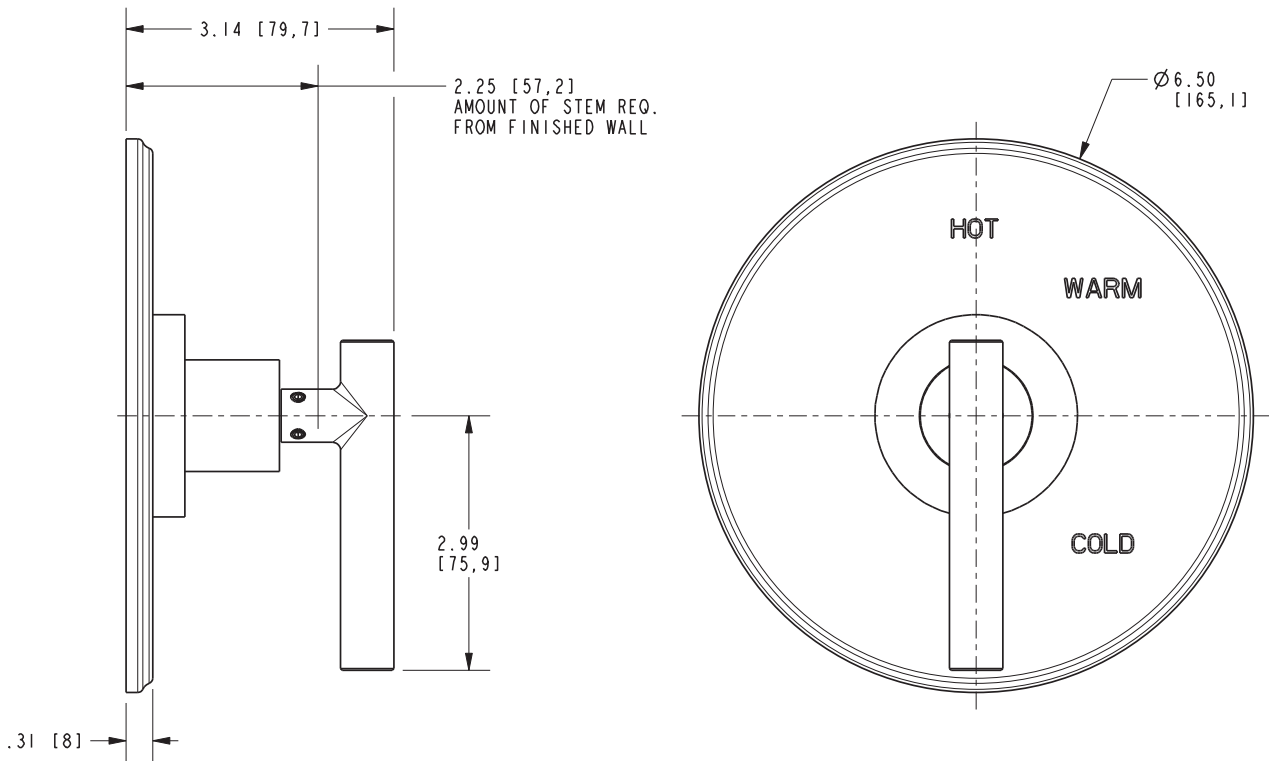
Product Specification: Add size designator and "Color / Finish" suffix to Model number, below.

The single-control Tub or Shower Trim (less tub spout or showerhead, arm & flange) shall be made of solid brass construction. Tub or Shower Trim shall include faceplate with ADA compliant handle. Shower System Control Valve Trim(s) (Escutcheon/Handle) shall be ADA compliant when used with specified Shower System Control Valve. Tub or Shower Trim (less tub spout or showerhead, arm & flange) shall be Newport Brass Model 4-994LBP/____ and single-control Tub or Shower rough valve shall be Newport Brass Model 1-594. Shower System Control Valve Trim(s) (Handle/Escutcheon) shall be 3-227____/____ (and 3-227____/____) and Shower System Control Valve shall be 1-703.

4-994LBP

PRODUCT DIMENSIONS *(Units are in inches)*

Product Dimensions are provided for reference only. For specific product installation guidelines, please reference the Installation Instructions of the product being installed.



East Square Shower Trim 4-994LBP