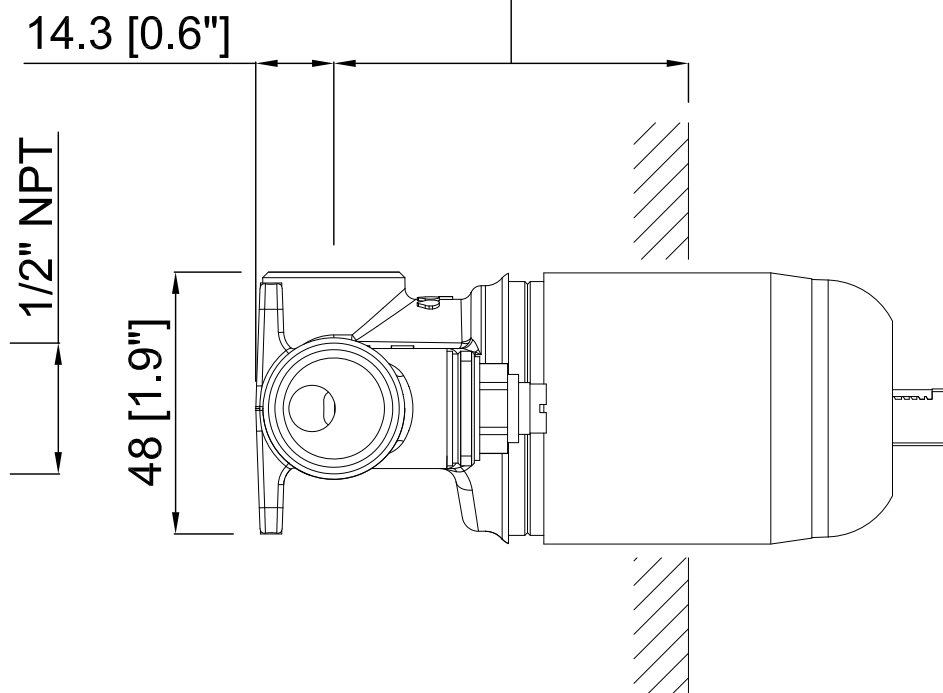
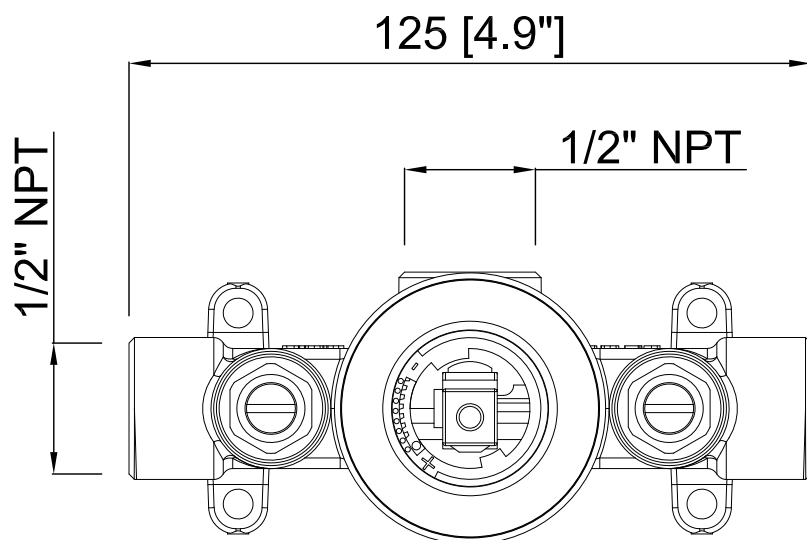


**Tolerancia empotrar**  
Built in wall tolerance  
*Tolérance d'encastrement*  
**De from de 40 [1.6"] a to à 75 [3"]**



**COD. CMD011-XX**

<p><b>Description</b> MINIMA shower trim, flange <math>\varnothing</math> 117 mm (<math>\varnothing</math> 4.6") Chrome.</p>	<p><b>Finish</b> Chrome</p>	<p><b>Item</b> 648900000</p>
<p><b>Photo</b></p>	<p><b>Technical drawing</b></p>	
		
<p><b>Specifications</b></p>	<p>Material: Brass plate. Zink handle Chrome coating; nickel 15 <math>\mu</math>m and chrome 0.50 <math>\mu</math>m. Requires rough-in valve: CMD009-00 or CMD011-00 (pressure balance)</p>	
<p><b>Accessories included</b></p>	<p>Rough-in valve not included</p>	
<p><b>Normative</b></p>	<p>Applicable: ASME A112.18.1/CSA B125.1</p>	
<p><b>Warranty</b></p>	<p>5 years against manufacturing defects.</p>	
<p><b>Observation</b></p>	<p>For more information <a href="http://www.mzrio.us">www.mzrio.us</a></p>	
<p><b>Manufacturers</b></p>	<p><b>M.Z. DEL RIO</b> Pol. Ind. Empresarium, Calle Lentisco n°.12 50720 La Cartuja Baja (Zaragoza) Spain Tel. 976-571517 Fax: 976-572018 E.mail: <a href="mailto:mzrio@mzrio.com">mzrio@mzrio.com</a></p>	