

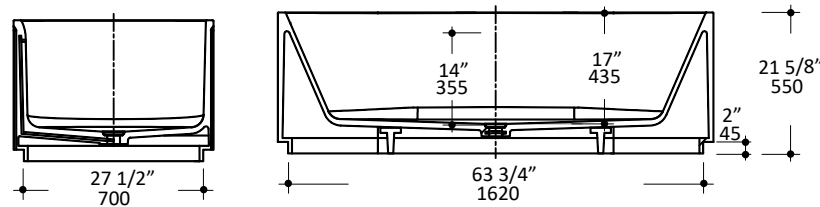
Specifications:

Installation:	Freestanding
Exterior dimensions:	67" w x 30 3/4" d x 21 5/8" h
Material:	Solid surface
Water capacity:	77 gal.
Weight:	353 lbs.
Overflow:	Yes
Finishes:	001G - Gloss white 001M - Matte white
Freight:	Class 5



Features:

- Solid surface soaking bathtub with overflow
- Includes brass click-clack drain assembly with decorative solid surface dome
- Freestanding installation



Codes + Standards:

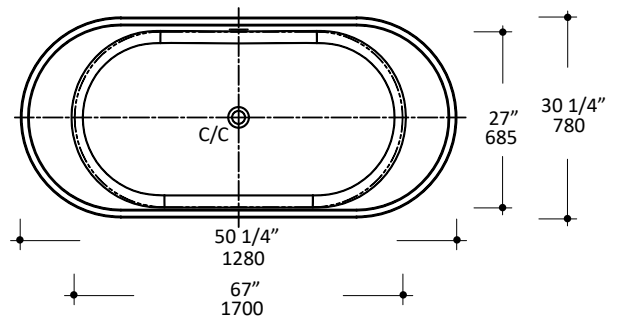
- Meets or exceeds applicable national codes and standards

Recommended Items:

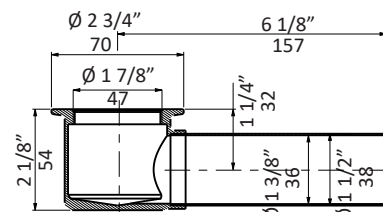
- Furniture
 - TUB-BR01 tub bridge in wood
 - TUB-BR02 tub bridge in wood
 - TUB-BR03 tub bridge in solid surface
 - TUB-BR04 tub bridge in metal
- Trap connections
 - TBSH90 - L-shaped 90 degree brass tub shoe
 - TBSH180 - Straight down 180 degree brass tub shoe

Care + Maintenance:

- To prevent damage to the solid surface material, hot objects and open flame should not be placed in direct contact with the surface
- [Click Here](#) to find out more about proper care and maintenance



TBSH90



TBSH180

