

Features

- Digitally controlled thermostatic mixing valve.
- Antiscald protection.
- Up to 13 gpm (49.2 lpm) flow rate at 45 psi (3.1 bar) with maximum flow of 8 gpm (30.3 lpm) from one outlet.
- Two independently controllable 1/2" outlets with copper tube connections.
- 1/2" (12.7 mm) inlets with copper tube connections.

Material

- Reinforced engineering-grade thermoplastic body.

Installation

- Mounts within standard 2" x 4" (38 x 102 mm) walls.
- Install valve up to 20' away from the digital interface (cable supplied with interface).
- Distance can be extended with a standard RJ-11 phone extension cord.
- Prewired with three-prong plug for connection to 110 V AC receptacle.

Required Products/Accessories

- K-527 digital shower interface, portrait setting
- or
- K-527-E digital shower interface with eco-mode diverter
- or
- K-29200 Wall-mount bath filler digital interface
- or
- K-29201 Wall-mount bath/shower digital interface
- or
- K-29202 Dual-outlet shower digital interface
- or
- K-29202-E Dual-outlet shower interface w/eco-mode diverter
- or
- K-29204 Deck-mount bath filler digital interface
- or
- K-29205 Deck-mount bath/shower digital interface

Included Components

- Additional Components:
Mounting hardware

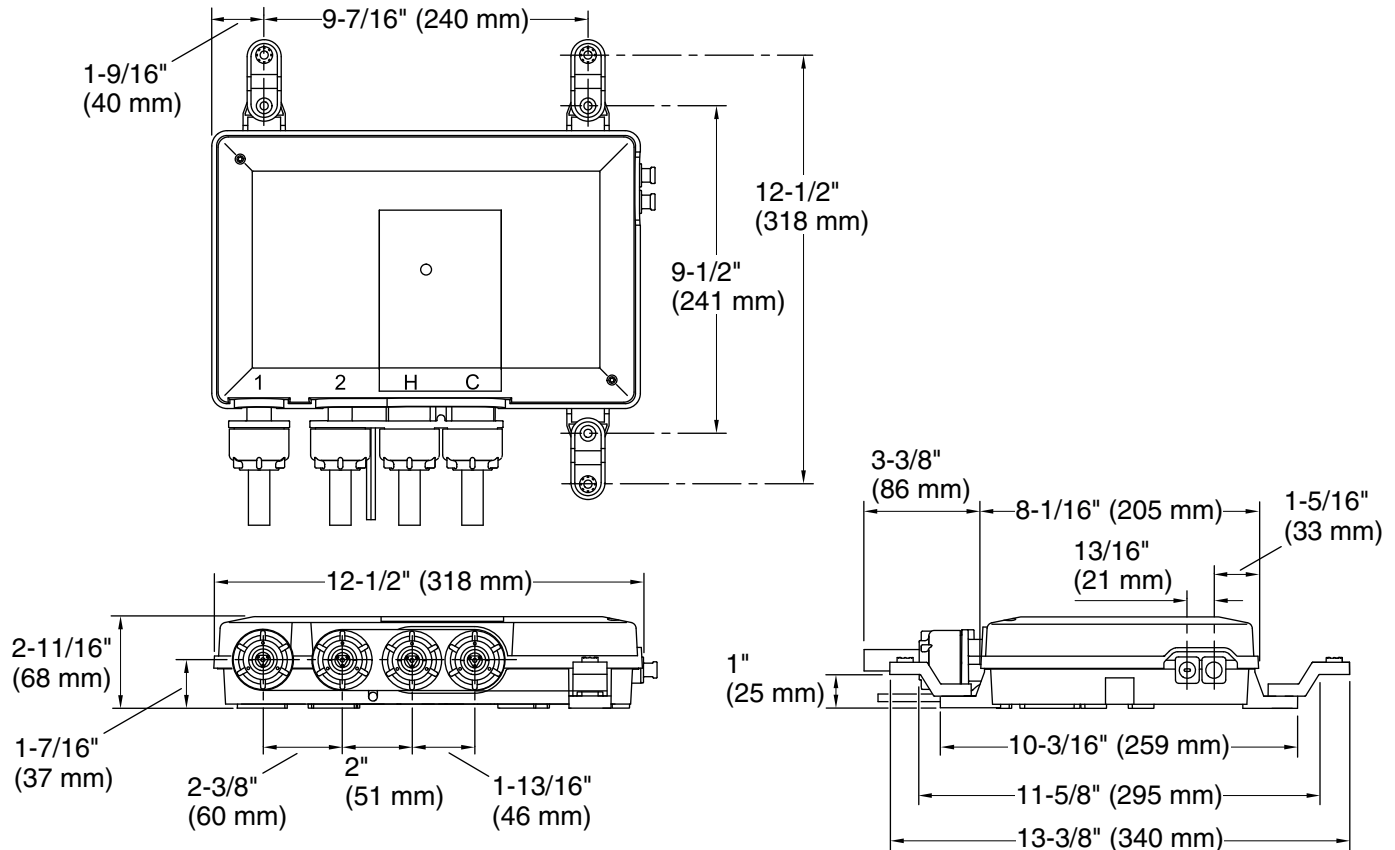


Codes/Standards

- ASME A112.18.1/CSA B125.1
- ASSE 1016/ASME A112.1016/CSA B125.16
- UL 1951
- CSA C22.2 No. 14
- CSA C22.2 No. 68

KOHLER® Electronic Faucets, Valves, and Controls Five-Year Limited Warranty

See website for detailed warranty information.



Required Electrical Service

One circuit required, protected with Class A Ground-Fault Circuit-Interrupter (GFCI). Outside North America, this device may be known as a Residual Current Device (RCD).

Thermostatic valve: 120 V, 15 A, 60 Hz

Technical Information

All product dimensions are nominal.

Power source: Plug - AC, included

Shower Valve:

Flow Rate (Max) @ 45 psi	13 gal/min (49.2 l/min)
Manufacturer's minimum rated flow:	1.6 gal/min (6.1 l/min)
Pressure:	45 psi (3.1 bar)
Maximum (Static) Pressure:	125 psi (8.6 bar)
Minimum (Operating) Pressure:	20 psi (1.4 bar)
Valve body:	Plastic
Drain included:	No
Electrical component rating:	Thermostatic valve: 120 V, 0.160 A, 60 Hz
Max. Ambient temp:	104°F (40°C)
Min. Operating temp:	86°F (30°C)

Notes

Install this product according to the installation instructions.

For use with showerheads or handsprays rated at 1.6 gal/min (6.1 l/min) or higher.

If used for bath-shower system, the bath spout must be connected to the #1 outlet port.

Provide access for servicing valve.

Use 1/2" supply lines.

Do not install this valve in walls exposed to subfreezing temperatures.

Avoid mounting the valve in a wall adjacent to a frequently occupied room.

Pressure regulators are recommended in applications where large pressure swings are anticipated or pressure differences between the supplies exist.

Water hammer arrestors and shut-offs are required in both the hot and cold supplies. Shower drain capacity must meet the shower system flow rate.

Locate a GFCI-protected 120 V, 15 A, grounded electrical outlet within close proximity

1-800-4KOHLER (1-800-456-4537)

Kohler Co. reserves the right to make revisions without notice to product specifications.

For the most current Specification Sheet, go to www.kohler.com.

1-7-2022 04:26 - US/CA