

### Features

- Single bowl
- 11" depth provides generous workspace
- Includes bamboo cutting board, two multipurpose grated racks, colander, and wash bin
- Three graduated ledges in basin allow you to place accessories at your preferred height
- Accessories stack and slide on ledges for a custom arrangement
- Beveled cone-shape basin slopes into drain, easily disposing debris
- Medium size cutting board (10"x16") included with sink - covers 1/3 of sink
- 36" (914 mm) minimum base cabinet width
- Also available: Large size cutting board 21"x16" – covers 2/3 sink
- Includes installation hardware

### Material

- Premium 18-gauge stainless steel

### Installation

- Undermount

### Required Products/Accessories

K-11352 Disposal Flange with Stopper

or

K-8801 Sink drain and strainer with tailpiece

### Recommended Products/Accessories

K-23729 Stainless steel cleaner

K-23726 Drain treatment

### Included Components

K-5541 Bamboo Cutting Board

K-5542 Multipurpose grated rack

K-5544 Colander and wash bin

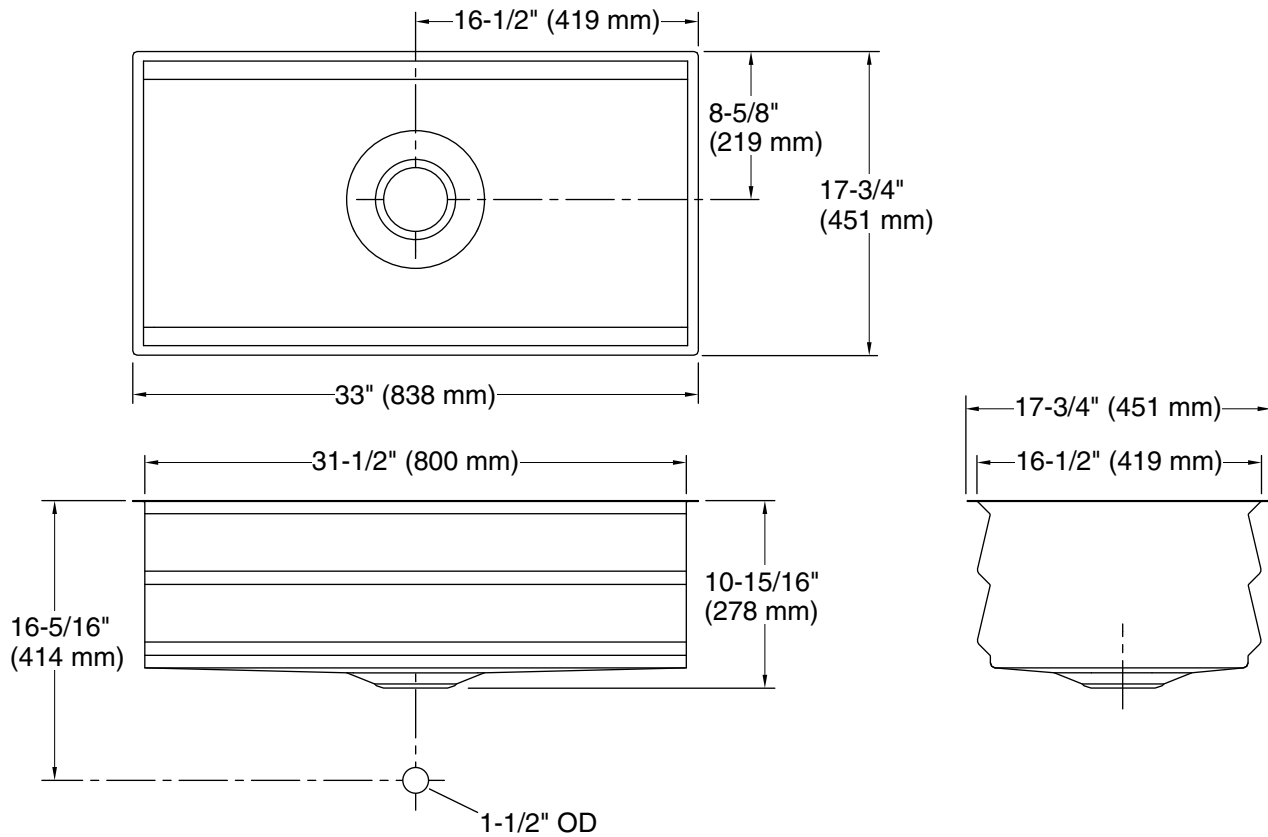


### Codes/Standards

ASME A112.19.3/CSA B45.4

### KOHLER® Stainless Steel Sinks Lifetime Limited Warranty

See website for detailed warranty information.



## Technical Information

All product dimensions are nominal.

Bowl configuration:	Single
Installation:	Undermount
Min. base cabinet width:	36" (914 mm)
Bowl area (Only):	Length: 31-1/2" (800 mm) Width: 16-1/2" (419 mm) Bowl depth: 10" (254 mm) Water depth: 10" (254 mm)
Drain hole:	3-3/4" (94 mm)
Template:	1093327-7, required, included

## Notes

Install this product according to the installation instructions.