

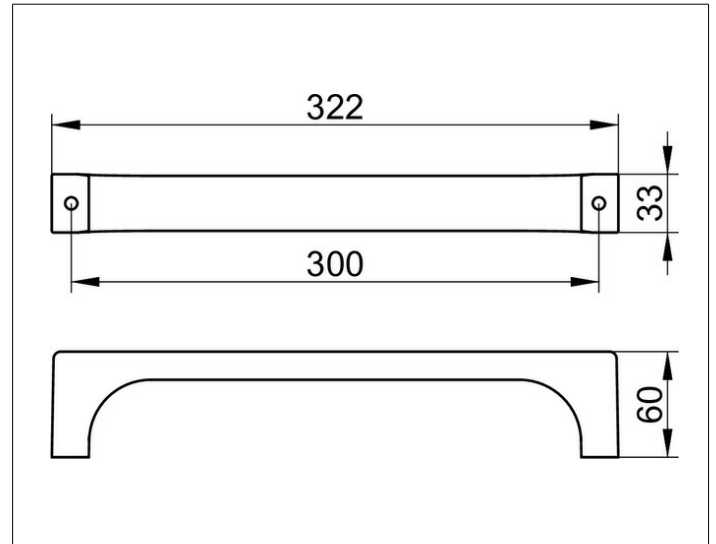
Edition 11

11107010000 Grab bar

**PRODUCT**



**DRAWING**



**SURFACE**

chrome-plated

**DIMENSION**

300 mm

**SPECIFICATIONS**

KEUCO EDITION 11 grab bar 11107010000

chromed handle, seamlessly

in clear-cut design and geometric shapes, solid zinc die-cast mounting, max.

115 kg load easy to clean,

Installed at 300 mm, with a total width of 322 mm

Radius 60 mm