

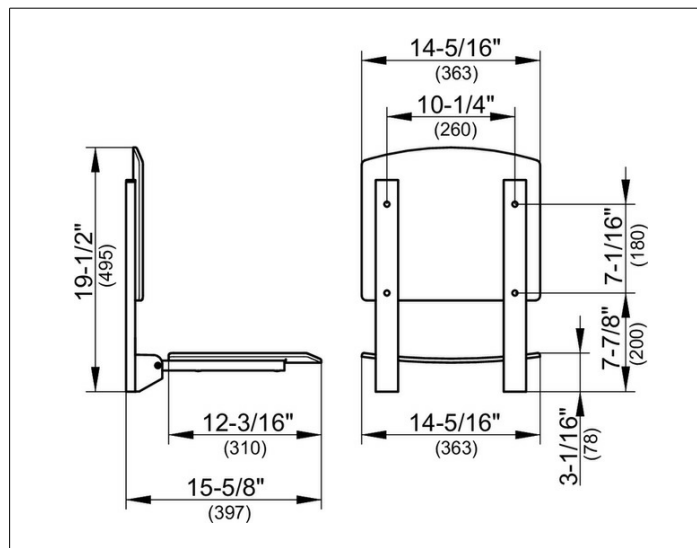
**Plan Care**

**35982010051 Tip-up seat**

**PRODUCT**



**DRAWING**



**PRODUCT ATTRIBUTES**

tip-up, wall mounted

**SURFACE**

chrome-plated/white (RAL 9010)

**SPECIFICATIONS**

KEUCO PLAN CARE tip-up seat 35982010051  
 tip-up seat in white (RAL 9010)  
 made from polypropylene  
 in esthetic, practical design, to be mounted on the wall for  
 safe seating arrangement in the shower  
 wall and seat support chrome plated as a design feature  
 anti-static, easy to clean  
 to tilt upwards, seat can carry weight up to 253 Lb  
 width 14-5/16' (363 mm),  
 length 12-3/16' (310 mm),  
 height 19-1/2' (495 mm).