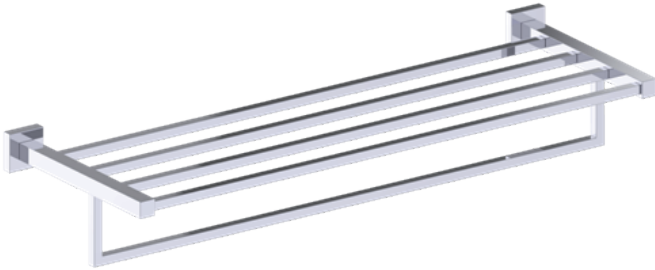
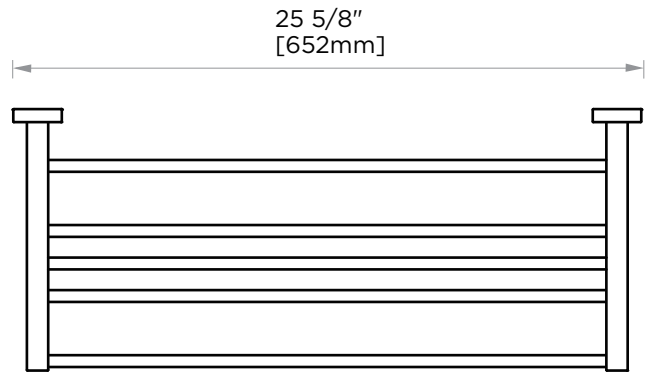


LONDON COLLECTION
DOUBLE TOWEL SHELF
248442



8 3/4"
[222mm]



PRODUCT NAME: DOUBLE TOWEL SHELF

PRODUCT CODE: 248442

MATERIAL: All-brass construction

KEY FEATURES: Contemporary design. Sleek rectangular shapes offset by strong squared anchors.

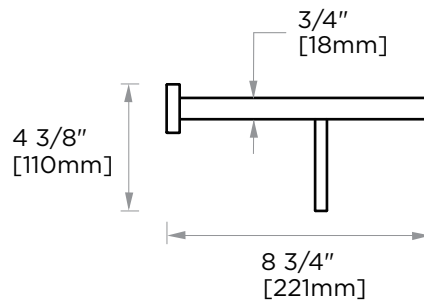
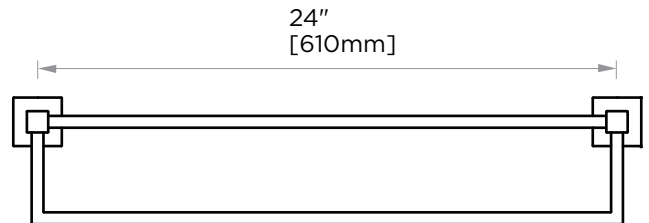
STOCKED FINISHES:

- Polished Chrome (99)
- Brushed Nickel (81)
- Polished Nickel (68)
- Matte Black (48)

SPECIAL FINISHES AVAILABLE: 26 options available. Please see our website for full list samples

WARRANTY:

Lifetime Limited (Residential Use)
One Year (Commercial Use)



NOTE: Dimensions and specifications are subject to change without notice.