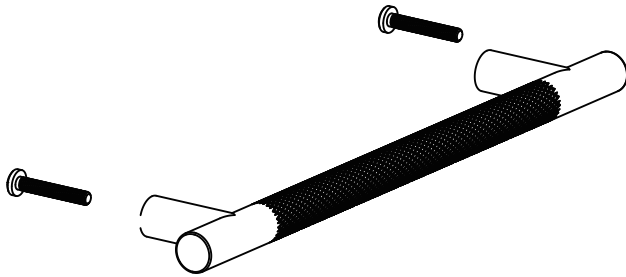


CIRCO KNURLED COLLECTION APPLIANCE PULL

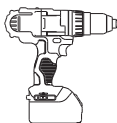
- 12" 366912
- 18" 366918
- 24" 366924
- 30" 366930



Tools required for installation



Level



Drill



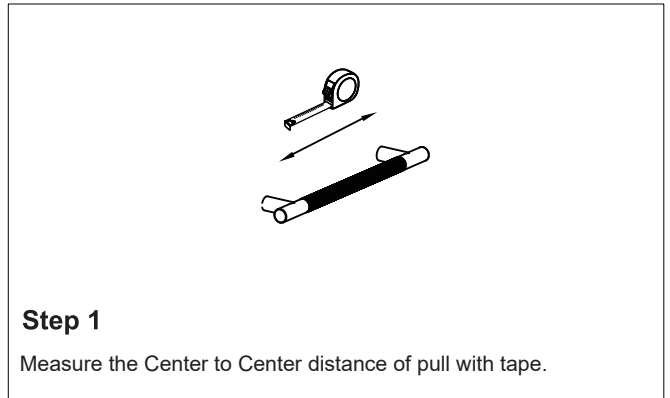
Pencil



Screwdriver

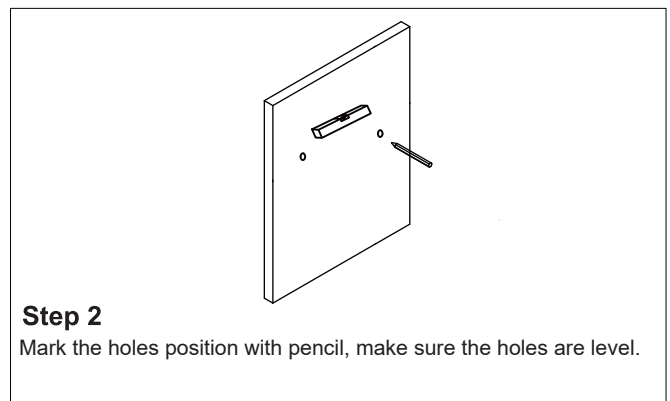


Hammer



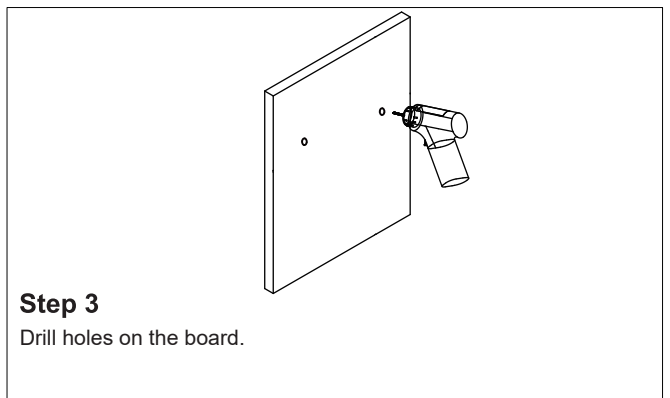
Step 1

Measure the Center to Center distance of pull with tape.



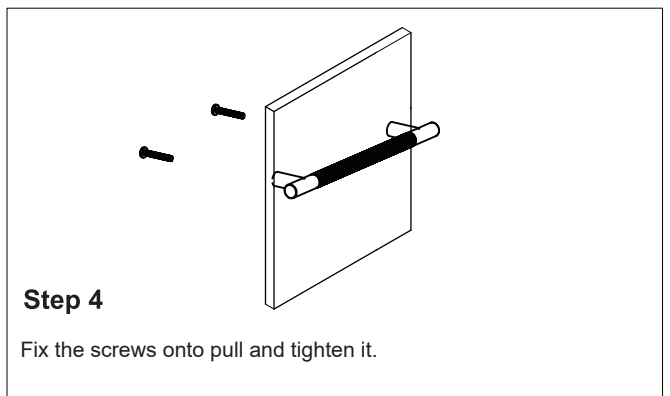
Step 2

Mark the holes position with pencil, make sure the holes are level.



Step 3

Drill holes on the board.



Step 4

Fix the screws onto pull and tighten it.