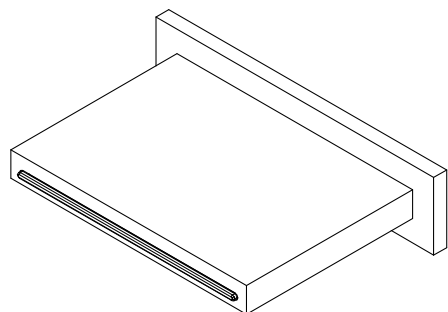


## CFB.2250 | Waterfall / Cascade Flow Tub Filler



### SPECIFICATIONS:

- Stainless Steel Construction
- 1/2" NPT Male connection
- Flow Rate: 11 GPM @ 60 PSI

### FAST SHIP FINISHES :

- Chrome - CFB.2250CP / Brushed Nickel - CFB.2250BN

### STANDARDS:

- ASME A112.18.1 / CSA B125.1

Legislation Compliance



ZeroDrip Technology



### Technical Diagram

