

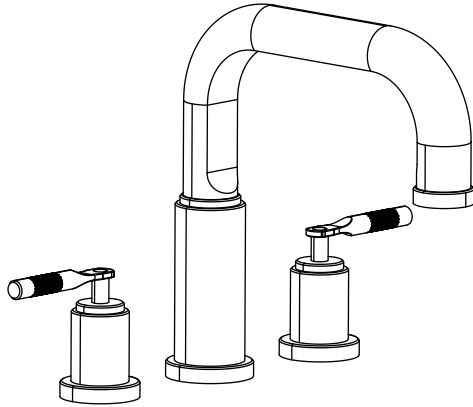
250.2410 | 3-Hole Deck Mounted Roman Tub Filler

SPECIFICATIONS:

- Solid Brass construction - includes valve
- Three Hole Installation
- Ceramic disc cartridge
- 7.08" Tub Spout Reach
- Flow Rate = 9.0 GPM @ 60 PSI

STANDARDS:

- ASME A112.18.1 / CSA B125.1



Legislation Compliance



ZeroDrip Technology



Technical Diagram

