

Comfort H900'

Design: Matteo Thun & Antonio
Rodriguez

AH992A

Comfort H900' Accessories for
Reduced Mobility AH992ACU
INDA ACCESSORIES Comfort H900'
Accessories for Reduced Mobility
Cm55X9 H27 CU



To Activate the interactive 3D view, you must trust this document (see hint on the top) in Adobe Acrobat and click on the question mark.

3D VIEW



Moves you toward or away from objects in the scene when you drag vertically. You can also zoom with the hand tool by holding down Shift as you drag.



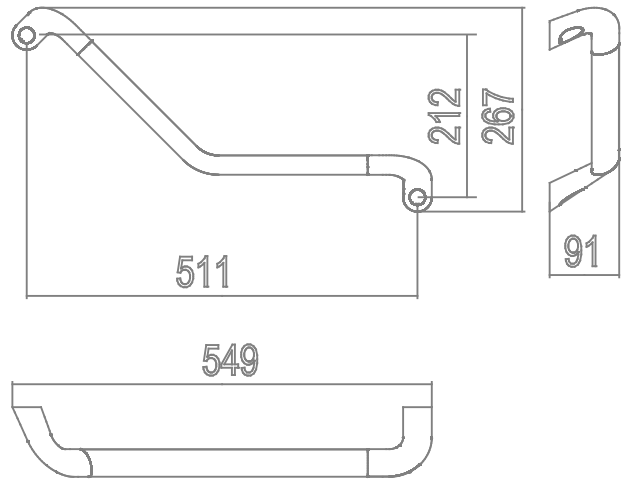
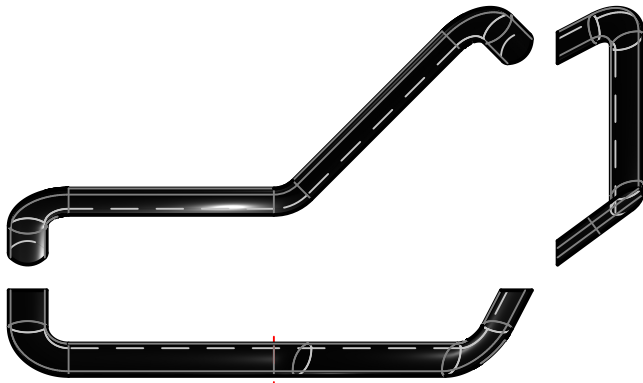
Moves the model vertically and horizontally only. You can also pan with the hand tool: Ctrl-drag.



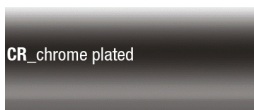
Turns 3D objects around relative to the screen. How the objects move depends on the starting view, where you start dragging and the direction in which you drag.

2D DERIVATION

TECHNICAL DRAWINGS



AVAILABLE FINISHES



Code	AH992ACU
Material	Chrome-plated/black soft touch
Very short description 1	INDA Accessories for Reduced Mobility Cm55X9 H27
Very short description 2	Comfort H900' AH992A 55X9 CU
Article description	INDA ACCESSORIES Comfort H900' Accessories for Reduced Mobility Cm55X9 H27 CU
International code	EAN-13:8021586277855
Height [cm]	27
Width [cm]	55
Depth [cm]	9
Weight [kg]	1.73
Series	Comfort H900'
LINE	Accessories for Reduced Mobility
Model	AH992A
Intrastat code	74182000
URL link web site of the article	https://www.inda.net/
Design	Matteo Thun & Antonio Rodriguez