

## Comfort H900'

Design: Matteo Thun & Antonio  
Rodriguez

### AH993B

Comfort H900' Accessories for  
Reduced Mobility AH993BCR  
INDA ACCESSORIES Comfort H900'  
Accessories for Reduced Mobility  
Cm36X9 H67 CR



To Activate the interactive 3D view, you must trust this document (see hint on the top) in Adobe Acrobat and click on the question mark.

**3D VIEW**



Moves you toward or away from objects in the scene when you drag vertically. You can also zoom with the hand tool by holding down Shift as you drag.

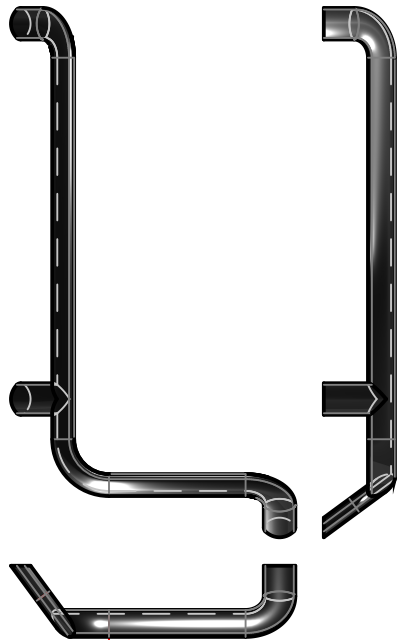


Moves the model vertically and horizontally only. You can also pan with the hand tool: Ctrl-drag.

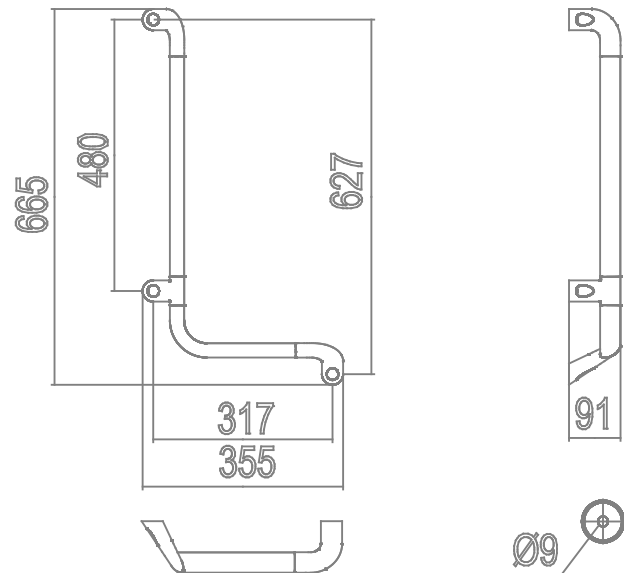


Turns 3D objects around relative to the screen. How the objects move depends on the starting view, where you start dragging and the direction in which you drag.

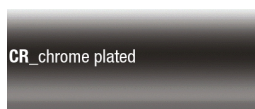
## 2D DERIVATION



## TECHNICAL DRAWINGS



## AVAILABLE FINISHES



<b>Code</b>	AH993BCR
<b>Material</b>	Chrome-plated
<b>Very short description 1</b>	INDA Accessories for Reduced Mobility Cm36X9 H67
<b>Very short description 2</b>	Comfort H900' AH993B 36X9 CR
<b>Article description</b>	INDA ACCESSORIES Comfort H900' Accessories for Reduced Mobility Cm36X9 H67 CR
<b>International code</b>	EAN-13:8021586463906
<b>Height [cm]</b>	67
<b>Width [cm]</b>	36
<b>Depth [cm]</b>	9
<b>Weight [kg]</b>	2.49
<b>Series</b>	Comfort H900'
<b>LINE</b>	Accessories for Reduced Mobility
<b>Model</b>	AH993B
<b>Intrastat code</b>	74182000
<b>Description Code Level 1</b>	Left
<b>URL link web site of the article</b>	<a href="https://www.inda.net/">https://www.inda.net/</a>
<b>Design</b>	Matteo Thun & Antonio Rodriguez