

Comfort H900'

Design: Matteo Thun & Antonio
Rodriguez

AH994D

Comfort H900' Accessories for
Reduced Mobility AH994DCR
INDA ACCESSORIES Comfort H900'
Accessories for Reduced Mobility
Cm101X67 H8 CR



To Activate the interactive 3D view, you must trust this document (see hint on the top) in Adobe Acrobat and click on the question mark.

3D VIEW



Moves you toward or away from objects in the scene when you drag vertically. You can also zoom with the hand tool by holding down Shift as you drag.



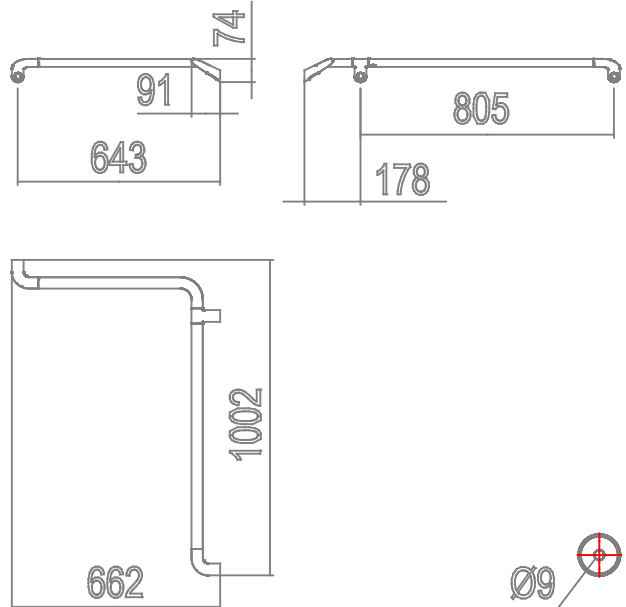
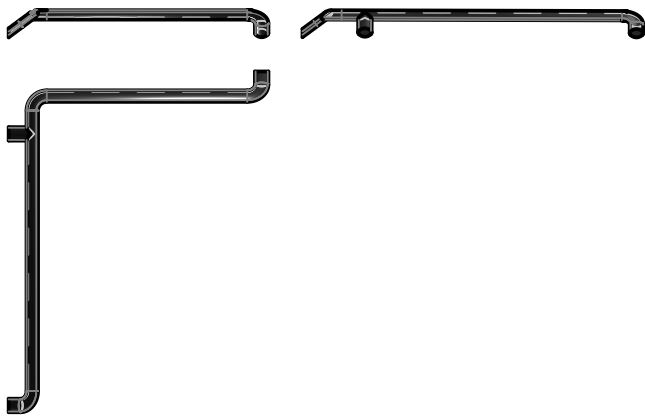
Moves the model vertically and horizontally only. You can also pan with the hand tool: Ctrl-drag.



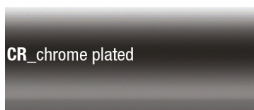
Turns 3D objects around relative to the screen. How the objects move depends on the starting view, where you start dragging and the direction in which you drag.

2D DERIVATION

TECHNICAL DRAWINGS



AVAILABLE FINISHES



Code	AH994DCR
Material	Chrome-plated
Very short description 1	INDA Accessories for Reduced Mobility Cm101X67 H8
Very short description 2	Comfort H900' AH994D 101X67 CR
Article description	INDA ACCESSORIES Comfort H900' Accessories for Reduced Mobility Cm101X67 H8 CR
International code	EAN-13:8021586463920
Height [cm]	8
Width [cm]	101
Depth [cm]	67
Weight [kg]	3.19
Series	Comfort H900'
LINE	Accessories for Reduced Mobility
Model	AH994D
Intrastat code	74182000
Description Code Level 1	Left
URL link web site of the article	https://www.inda.net/
Design	Matteo Thun & Antonio Rodriguez