



WE ARE IB

Collection

BOLD

Article

B1200

Description

Monohole washbasin mixer

Box Dimensions

240x215x110 mm

Weight

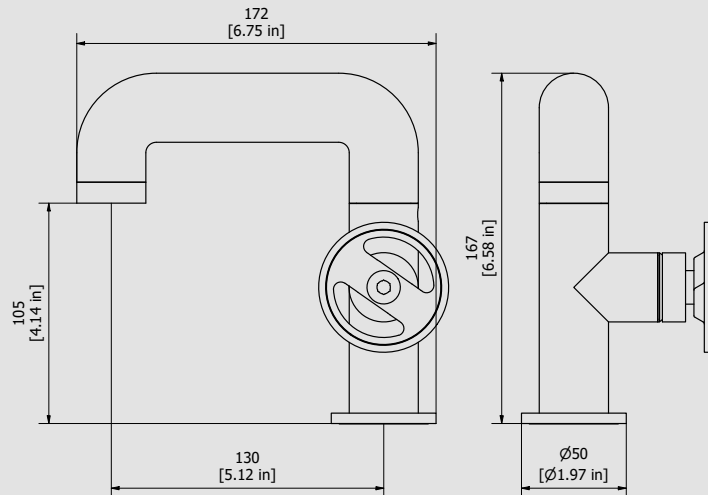
2.5 kg

Finishes

- **CC**
CHROME
- **PL**
PLATINUM
- **SS**
BRUSHED
NICKEL
- **ON**
NATURAL
BRASS
- **BO**
MATT
WHITE
- **NP**
MATT
BLACK
- **CF**
BLACK
CHROME
- **CS**
BRUSHED
BLACK
CHROME
- **II**
PALE
GOLD
- **IS**
BRUSHED
PALE GOLD
- **RS**
ROSE
GOLD
- **SR**
BRUSHED
ROSE GOLD
- **OO**
GOLD
- **OS**
BRUSHED
GOLD
- **RR**
ANTIQUÉ
COPPER
- **MB**
MODERN
BRONZE



Dimensions



Cartridge

Ø25 ceramic cartridge

Threaded fitting

Inox hoses G3\8" female 450 mms long

Aerator

M24x1

Flow Rate (+/-10%)

| | | |
|----------------|----------------|----------------|
| 1 BAR | 2 BAR | 3 BAR |
| 3.3 l\m | 4.4 l\m | 4.5 l\m |

Production

Main body is a single hot stamped pieces

Material

BRASS
According to CuZn42 (CW510L)
Max Lead content: 0.2%

IB RUBINETTERIE s.p.a
via dei Pianotti 3/5
25068 Sarezzo (BS) - Italy -

T. +39 030 802101
F. +39 030 803097
info@weareib.it

P.IVA 01785230986
capitale sociale
€420.000,00 i.v.

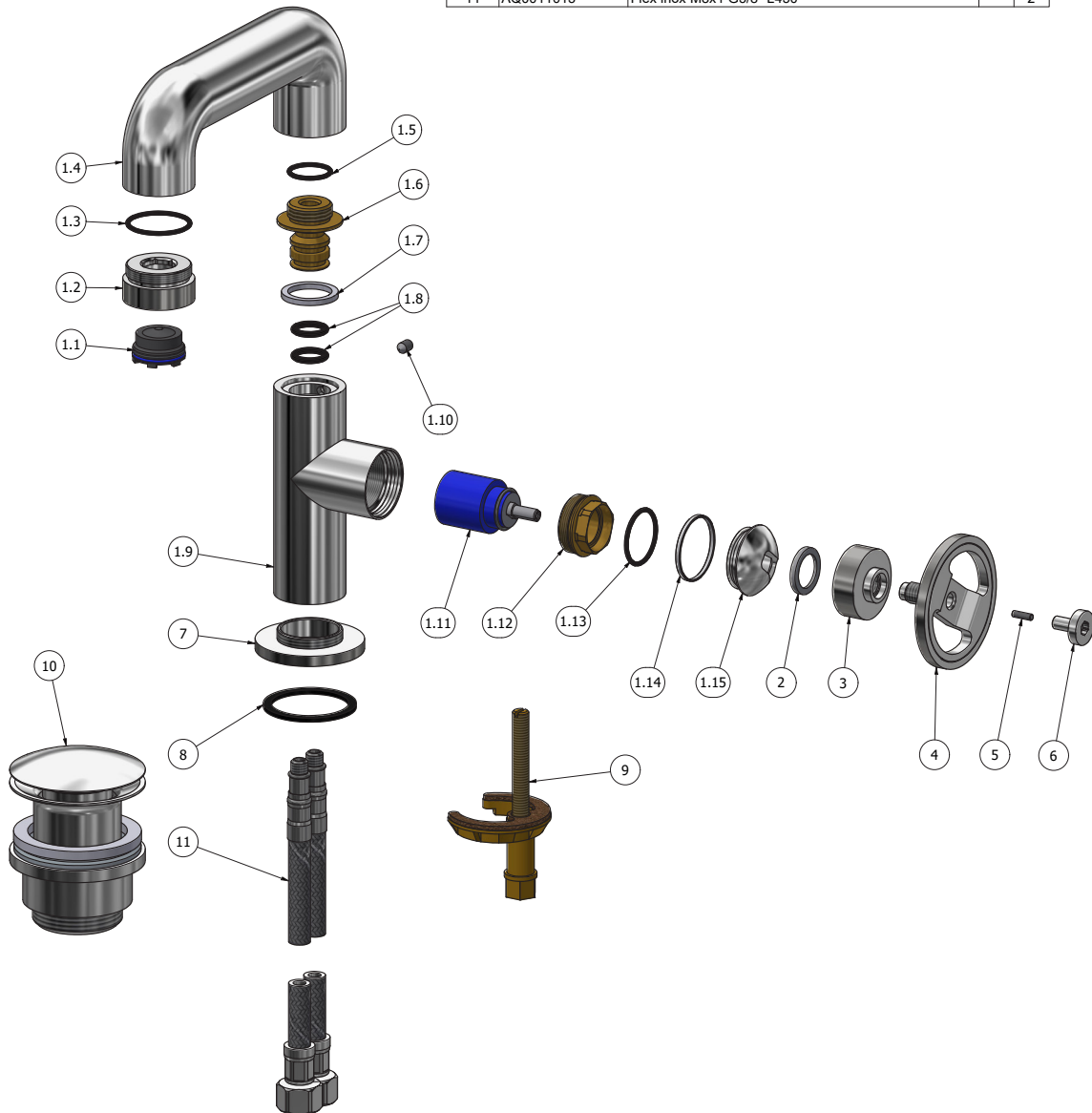
www.weareib.it





WE ARE IB

| Parts list | | | | |
|------------|-------------|---|-----|-----|
| ITEMS | CODE | DESCRIPTION | FIN | QTÀ |
| 1 | CPBD200CC-1 | Preassembled washbasin mixer | F | 1 |
| 1.1 | AQ0017304 | Perlator cañcè laminar M24x1 1.5 GPM (40.2356.010) | - | 1 |
| 1.2 | AC0017717 | Support for aerator Ø33 M30x1.5 H17 knurled | F | 1 |
| 1.3 | AQ0010564 | OR 26.7x1.78 NBR 70 SH | - | 1 |
| 1.4 | CC0002320 | Spout Ø33 H62 L163 | F | 1 |
| 1.5 | AQ0004630 | OR 17.16x1.78 NBR 70 SH | - | 1 |
| 1.6 | AS0015161 | Insert for spout Ø30 G1/2" L30.4 | G | 1 |
| 1.7 | AQ0007140 | Antifriction ring Ø26 Ø20.3 H2.5 | - | 1 |
| 1.8 | AQ0001360 | OR 11.91x2.62 NBR 70 SH | - | 2 |
| 1.9 | CC0002270 | Washbasin mixer body Ø33 H100 L56.5 | F | 1 |
| 1.10 | AQ0010869 | Grubscrew M5x8 cone point | - | 1 |
| 1.11 | AQ0015157 | Ceramic cartridge Ø25 closed Ø5.9 x 4.9 (K25 OPC B) | - | 1 |
| 1.12 | AS0015162 | Nut Ø28.5 H14.5 M27x1 | G | 1 |
| 1.13 | AQ0009815 | OR 23.52x1.78 NBR 70 SH | - | 1 |
| 1.14 | AQ0015158 | Antifriction ring Ø30.8 Ø29 H2.2 | - | 1 |
| 1.15 | AC0016153 | Cover for nut Ø33 H14.8 R20 | F | 1 |
| 2 | AQ0015291 | Antifriction ring Ø21.8 Ø16 H2.8 | G | 1 |
| 3 | AC0015164 | Handle's cover Ø33 H15 knurled | F | 1 |
| 4 | CC0002275 | Wheel Ø62 H30.5 M10x1 knurled | F | 1 |
| 5 | AQ0015357 | Grubscrew M3x10 flat point | - | 1 |
| 6 | AC0015166 | Screw Ø16 M3 H16 | F | 1 |
| 7 | AC0015167 | Base Ø50 M30x1 H10 knurled | F | 1 |
| 8 | AQ0008012 | Plane seal Ø42.5x35.5x2 | - | 1 |
| 9 | AQ0015159 | Fixing set | - | 1 |
| 10 | AQ0009837 | Simple rapid waste 1"1/4 | F | 1 |
| 11 | AQ0011013 | Flex inox M8x1 G3/8" L450 | - | 2 |





WE ARE IB

WARRANTY

All IB Rubinetterie SpA products are warranted for 10 years from the date of purchase, for the following cases:

- Defects of casting, porosity and chrome plating.
- Operating defects caused by incorrect fabrication.

The warranty provides for repair or replacement of products with fabrication defects recognized by our technical office. There is no other type of compensation anche the merchandise must be returned FOB our warehouse. The warranty only cover surface defects (scartches, dings, etc.) on fitting that have not been installed and used, returned in its original packaging with all components. O-ring, gasket seals and components subject to wear proportional to use are warranted for 2 years.

The warranty is void in the following cases:

Error installing and putting the product into service.

Deterioration of finished surfaces due to use of cleaning products containing acids or abrasive substances.

Deterioration of surface with finishes other than chrome plating. Their durability is, in fact, dependent on the user's care and gentleness of use.

Deterioration of the fitting due incorrect installation.

Improper repairs and maintenance performed without the company's prior authorization.

The warranty from IB Rubinetterie SpA is not renewable.

Cleaning

We recommended cleaning the finish surfaces with water and soap, using a soft cloth.

Do not use detergents that cointain hydrochloric acid or abrasive substances.