

**AddStoris**

**Toilet Paper Holder with Shelf**

Product Finish: **brushed nickel** Part no. : **41772820**



**Description**

**Features**

- Wall-mounted
- Metal
- With mounting material
- Concealed fastening
- Diameter of drilled hole: 6 mm

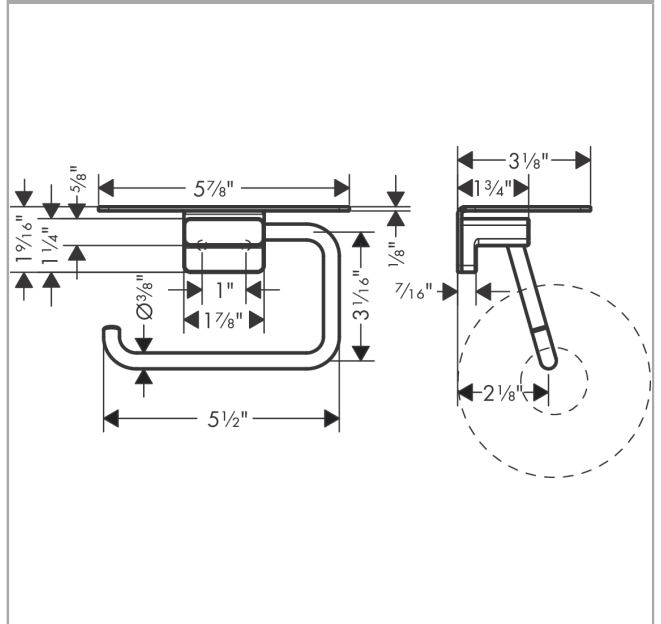
**Item details**

List Price \$ 119.00

**Product image**



**Scale drawing**



**AddStoris**

**Toilet Paper Holder with Shelf**

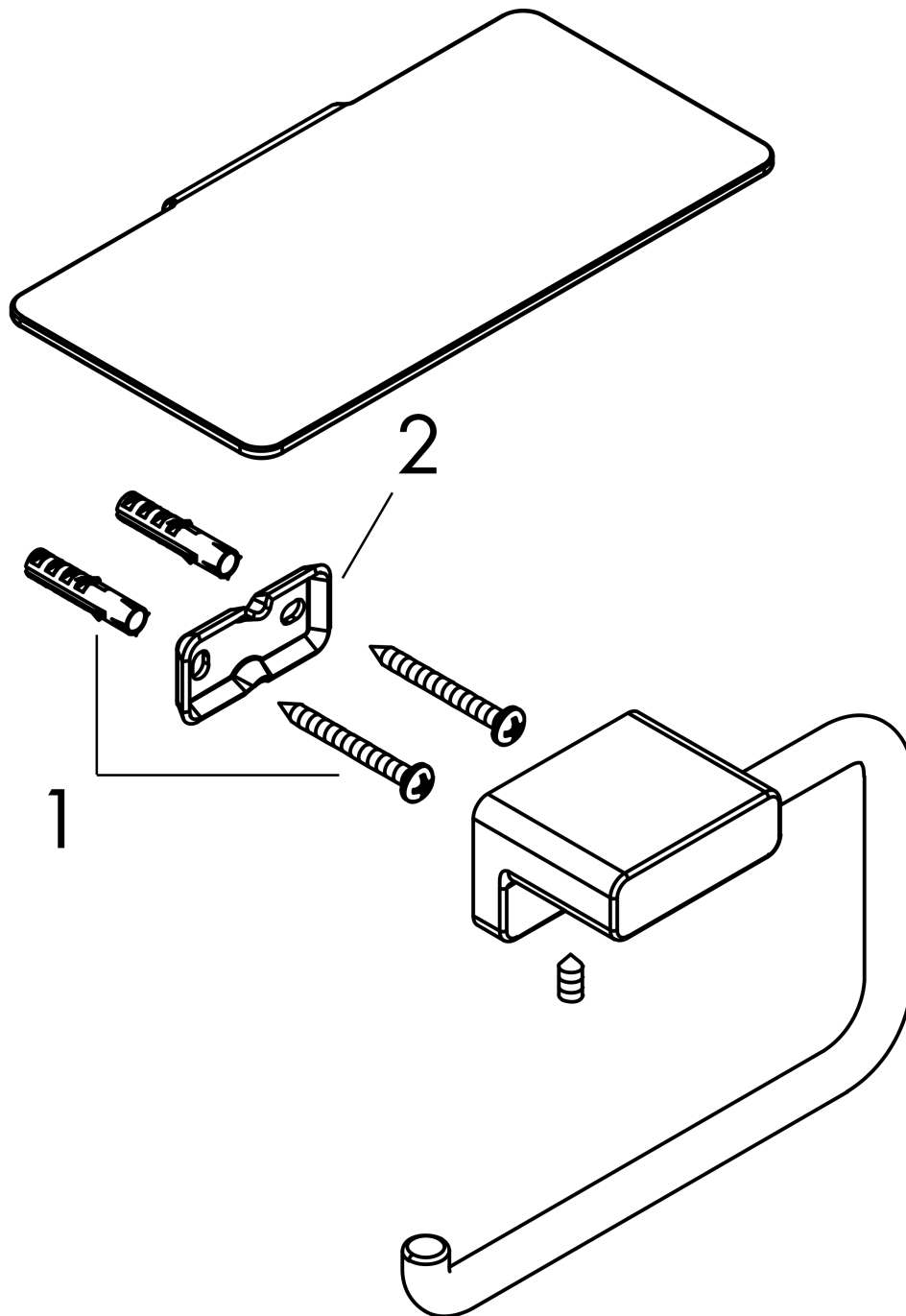
Product Finish: **brushed nickel**

Part no. : **41772820**



**Exploded drawing**

Year of production: >02/22



**AddStoris**

**Toilet Paper Holder with Shelf**

Product Finish: **brushed nickel** Part no. : **41772820**



**Spare parts list**

Year of production: >02/22

Pos.	Description	Part no.	Price	PU
1	mounting set	40915000	-	1
2	support element	94165000	-	1