

Rough, Freestanding Tub Filler

Product Finish: n.a. Part no. : 10452181



Description

Features

- 1/2" NPT
- Minimum mounting depth: 2.1"

Item details

List Price \$ 887.00

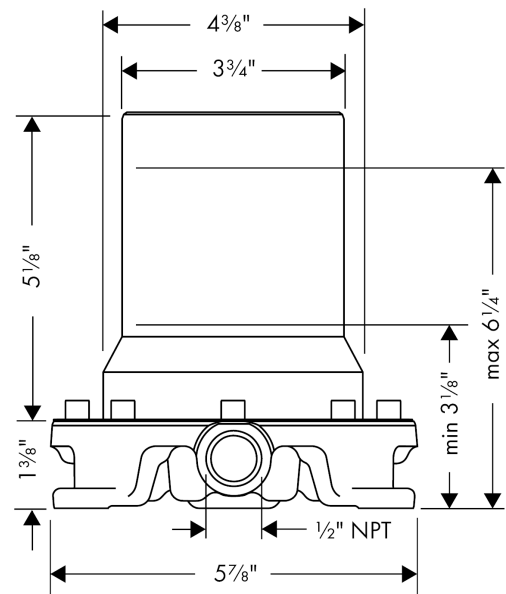
Compliance



Product image



Scale drawing



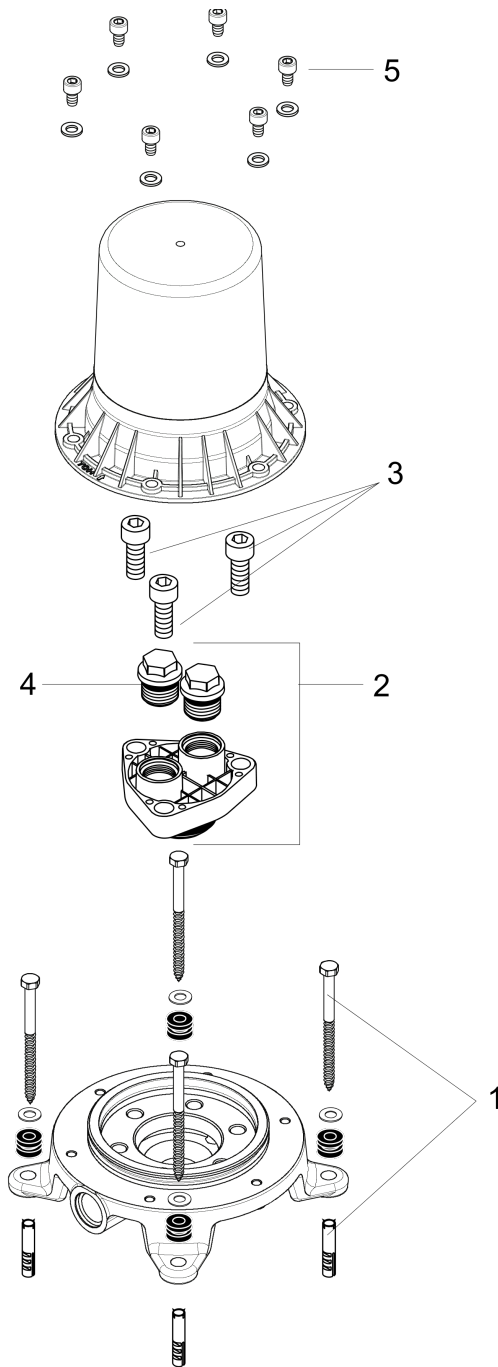
Rough, Freestanding Tub Filler

Product Finish: n.a. Part no. : 10452181



Exploded drawing

Year of production: >12/08



Rough, Freestanding Tub Filler

Product Finish: **n.a.** Part no. : **10452181**



Spare parts list

Year of production: >12/08

Pos.	Description	Part no.	Price	PU
1	mounting kit	96260000	-	1
2	flushing unit complete	96459000	-	1
3	hexagon socket screw M10x35	97670000	-	1
4	O-ring 15x2,5	98131000	-	1
5	hexagon socket screw M6x10	92847000	-	1

Metropol
Freestanding Tub Filler Trim with Lever Handle and 1.75 GPM Handshower
 Product Finish: **matte black** Part no. : **32532671**



Description

Features

- Spray type hand shower: IntenseRain, Full
- Flow: 5.28 GPM (20 L/Min)
- Flow rate of hand shower at 3 bar: 1.75 GPM (6.6 L/Min)
- Ceramic cartridge
- Integrated double backflow prevention

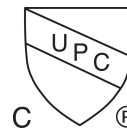
Item details

List Price \$ 3,783.00

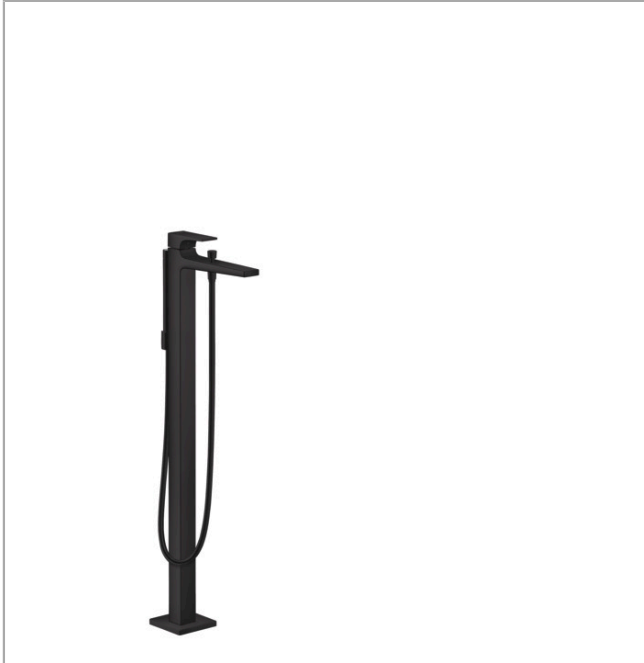
Technology



Compliance



Product image



Scale drawing

