

**Rough, Freestanding Tub Filler**

Product Finish: n.a. Part no. : 10452181



**Description**

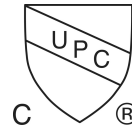
**Features**

- 1/2" NPT
- Minimum mounting depth: 2.1"

**Item details**

List Price \$ 887.00

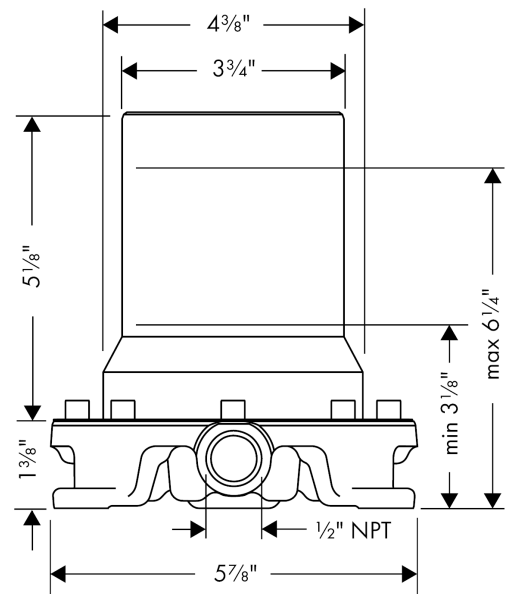
**Compliance**



**Product image**



**Scale drawing**

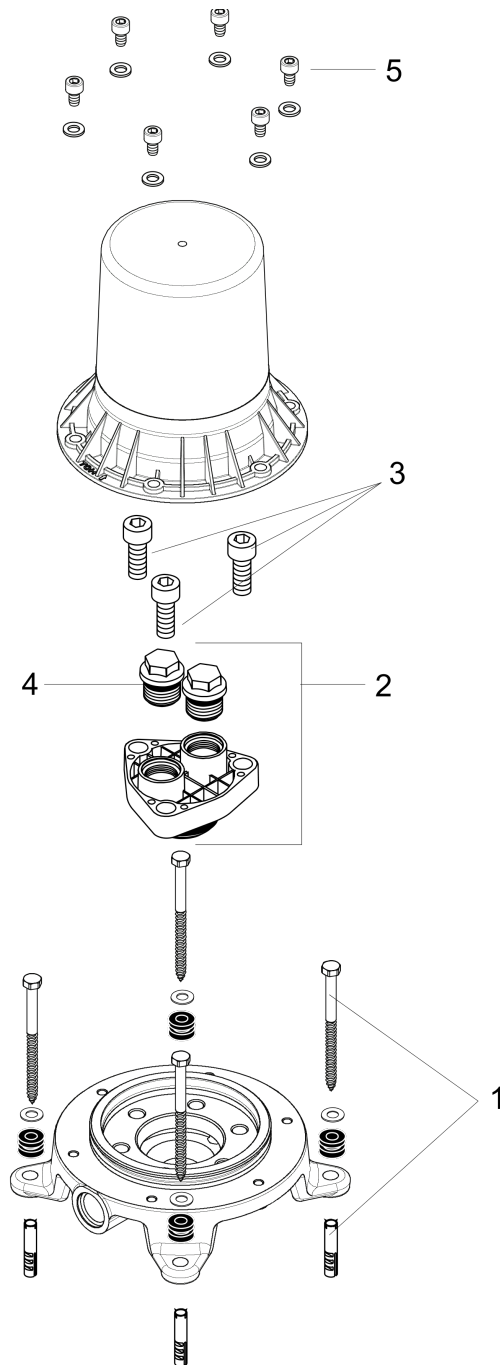


**Rough, Freestanding Tub Filler**  
 Product Finish: n.a. Part no. : 10452181



Exploded drawing

Year of production: >12/08



**Rough, Freestanding Tub Filler**

Product Finish: **n.a.** Part no. : **10452181**



**Spare parts list**

Year of production: >12/08

<b>Pos.</b>	<b>Description</b>	<b>Part no.</b>	<b>Price</b>	<b>PU</b>
1	mounting kit	96260000	-	1
2	flushing unit complete	96459000	-	1
3	hexagon socket screw M10x35	97670000	-	1
4	O-ring 15x2,5	98131000	-	1
5	hexagon socket screw M6x10	92847000	-	1

**Metropol**  
**Freestanding Tub Filler Trim with Lever Handle and 1.75 GPM Handshower**  
 Product Finish: **brushed black chrome** Part no. : **32532341**



### Description

#### Features

- Spray type hand shower: IntenseRain, Full
- Flow: 5.28 GPM (20 L/Min)
- Flow rate of hand shower at 3 bar: 1.75 GPM (6.6 L/Min)
- Ceramic cartridge
- Integrated double backflow prevention

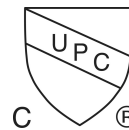
### Item details

List Price \$ 3,783.00

### Technology



### Compliance



### Product image



### Scale drawing

