

ShowerSelect S

Thermostatic Trim for 2 Functions, Round

Product Finish: **brushed bronze** Part no. : **15743141**



Description

Features

- Thermostatic cartridge, Start/stop cartridge
- Select push-button on/off control for 2 outlets
- Outlets may be operated simultaneously
- Flow: 8.0 GPM (30.3 L/Min) / 2.0 GPM (7.6 L/Min)
- Optimized for water-efficient shower products
- Anti-scald 100° safety stop
- Trim comes with Select buttons: handshower and Rain
- Optional accessory to limit total flow to 2.0 GPM @ 80 psi where required

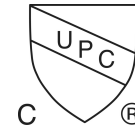
Item details

List Price \$ 1,099.00

Technology



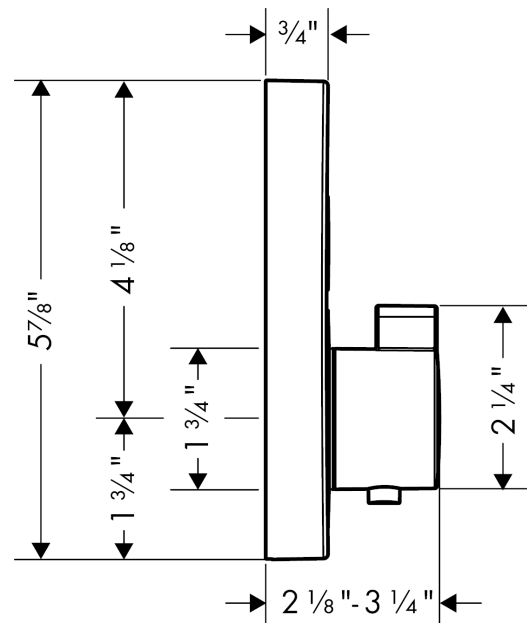
Compliance



Product image



Scale drawing



ShowerSelect S

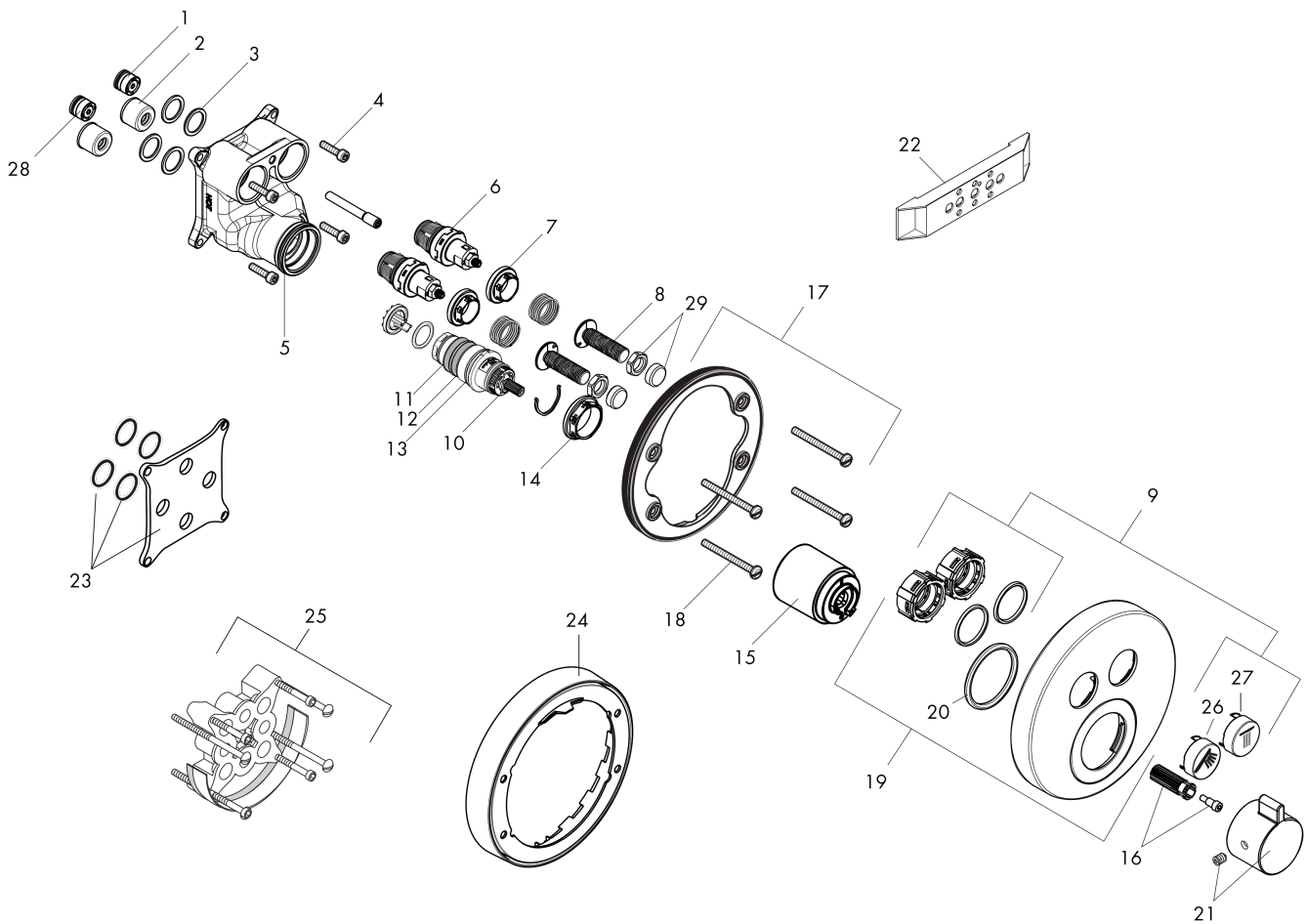
Thermostatic Trim for 2 Functions, Round

Product Finish: **brushed bronze** Part no. : **15743141**



Exploded drawing

Year of production: **>08/20**



ShowerSelect S

Thermostatic Trim for 2 Functions, Round

Product Finish: **brushed bronze** Part no. : **15743141**



Spare parts list

Year of production: >08/20

| Pos. | Description | Part no. | Price | PU |
|------|---|----------|-------|----|
| 1 | non return valve | 97980000 | - | 1 |
| 2 | noise reduction | 94073000 | - | 1 |
| 3 | O-ring 16x2 | 98133000 | - | 1 |
| 4 | set of screws | 96525000 | - | 1 |
| 5 | O-ring 36x2 | 98156000 | - | 1 |
| 6 | shut off unit | 95758000 | - | 1 |
| 7 | nut | 98368000 | - | 1 |
| 8 | Select-adapter | 92219000 | - | 1 |
| 9 | set of symbols | 92218000 | - | 1 |
| 10 | thermostat cartridge | 98282001 | - | 1 |
| 11 | O-ring 20x1,5 | 98197000 | - | 1 |
| 12 | O-ring 25x1,5 | 98146000 | - | 1 |
| 13 | O-ring 25x2,5 | 92146000 | - | 1 |
| 14 | nut | 98913000 | - | 1 |
| 15 | sleeve | 92216140 | - | 1 |
| 16 | handle fixing set | 95843000 | - | 1 |
| 17 | holder for escutcheon | 98793000 | - | 1 |
| 18 | set of fixing screws | 96454000 | - | 1 |
| 19 | escutcheon 155 / 155 mm | 92217141 | - | 1 |
| 20 | O-ring 44x4 | 98471000 | - | 1 |
| 21 | handle for thermostat | 92215141 | - | 1 |
| 22 | fit-up aid | 92540000 | - | 1 |
| 23 | compensation set 1° | 95521000 | - | 1 |
| 24 | extension 22 mm (Ø 150 mm) | 13597140 | - | 1 |
| 25 | extension 25 mm | 13595000 | - | 1 |
| 26 | symbol head shower Rain small | 93572880 | - | 1 |
| 27 | symbol handshower | 93573880 | - | 1 |
| 28 | non return valve (pressure-resistant up to 2 MPa) | 92594000 | - | 1 |
| 29 | nut and flange | 92696000 | - | 1 |
| a | pushbutton | 93955880 | - | 1 |
| b | screw cover | 95181000 | - | 1 |
| c | set of fixing screws | 97747000 | - | 1 |
| d | brake disc | 92498000 | - | 1 |
| e | symbol head shower Rain large | 93571880 | - | 1 |
| f | symbol Flood jet | 93574880 | - | 1 |
| g | symbol Whirl | 93575880 | - | 1 |
| h | symbol Mono | 93576880 | - | 1 |
| i | symbol tub | 93577880 | - | 1 |
| j | symbol body shower | 93578880 | - | 1 |
| k | symbol ON/OFF | 93579880 | - | 1 |

iBox universal
Rough, with Service Stops, 3/4"
 Finishes : n.a. Part no. : **01850181**



Description

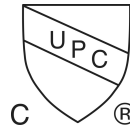
Features

- 3/4" NPT
- 180° rotationally-symmetric installation
- Sound-decoupled installation

Item details

List Price \$ 198.00

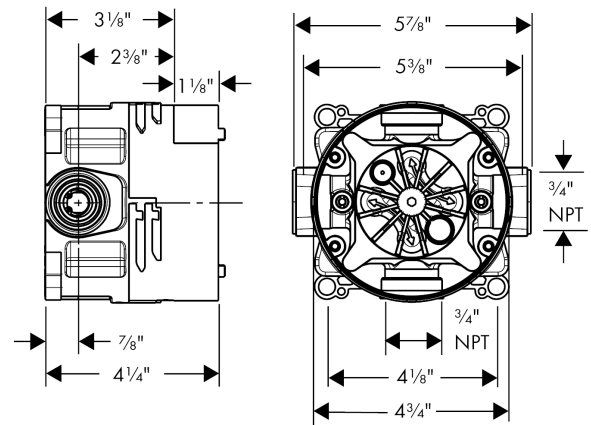
Compliance



Product image



Scale drawing

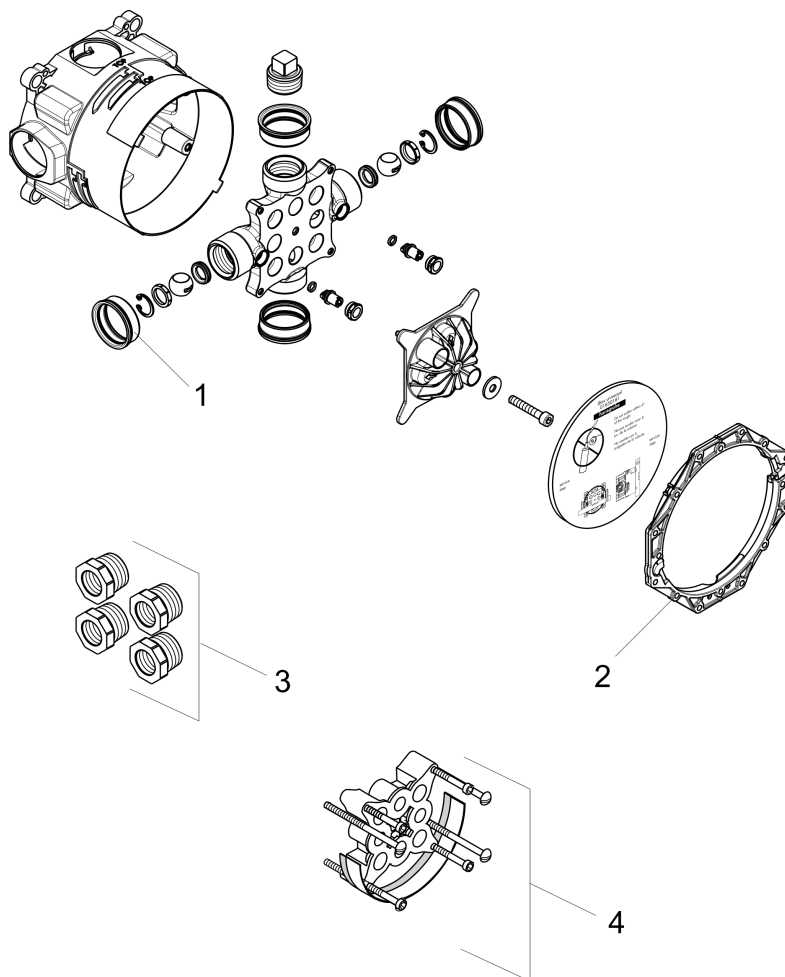


iBox universal
Rough, with Service Stops, 3/4"
Finishes : n.a. Part no. : **01850181**



Exploded drawing

Year of production: >07/18



iBox universal
Rough, with Service Stops, 3/4"
 Finishes : n.a. Part no. : **01850181**



Spare parts list

Year of production: >07/18

| Pos. | Description | Part no. | Price | PU |
|-------------|--------------------|-----------------|--------------|-----------|
| 1 | seal | 97739000 | - | 1 |
| 2 | displacing ring | 98797000 | - | 1 |
| 3 | reduction coupling | 88751000 | - | 1 |
| 4 | extension 25 mm | 13595000 | - | 1 |