

**iBox universal**  
**Rough, with Service Stops, 3/4"**  
 Finishes : n.a. Part no. : **01850181**



**Description**

**Features**

- 3/4" NPT
- 180° rotationally-symmetric installation
- Sound-decoupled installation

**Item details**

List Price \$ 198.00

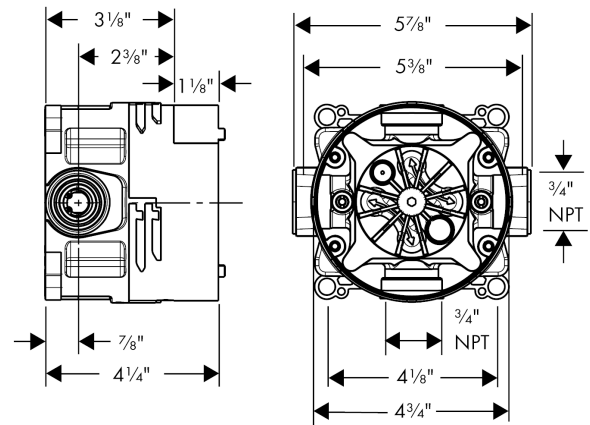
**Compliance**



**Product image**



**Scale drawing**

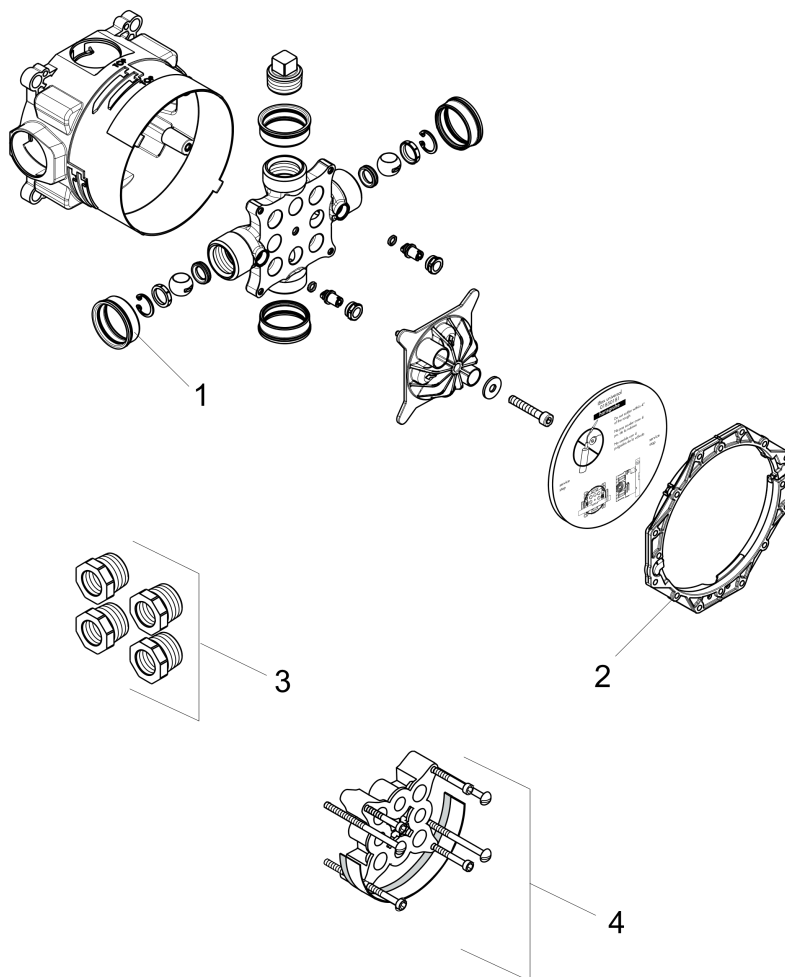


**iBox universal**  
**Rough, with Service Stops, 3/4"**  
Finishes : n.a. Part no. : **01850181**



Exploded drawing

Year of production: >07/18



**iBox universal**  
**Rough, with Service Stops, 3/4"**  
 Finishes : n.a. Part no. : **01850181**



**Spare parts list**

Year of production: >07/18

| <b>Pos.</b> | <b>Description</b> | <b>Part no.</b> | <b>Price</b> | <b>PU</b> |
|-------------|--------------------|-----------------|--------------|-----------|
| 1           | seal               | 97739000        | -            | 1         |
| 2           | displacing ring    | 98797000        | -            | 1         |
| 3           | reduction coupling | 88751000        | -            | 1         |
| 4           | extension 25 mm    | 13595000        | -            | 1         |

**ShowerSelect**  
**Thermostatic Trim for 1 Function, Square**  
 Product Finish: **brushed nickel** Part no. : **15762821**



**Description**

**Features**

- Thermostatic cartridge, Start/stop cartridge
- Select push-button on/off control for 1 outlet
- Flow: 7.0 GPM (26.5 L/Min)
- Optimized for water-efficient shower products
- Anti-scald 100° safety stop
- Thermostat is delivered with On/Off button

**Item details**

List Price \$ 1,047.00

**Technology**



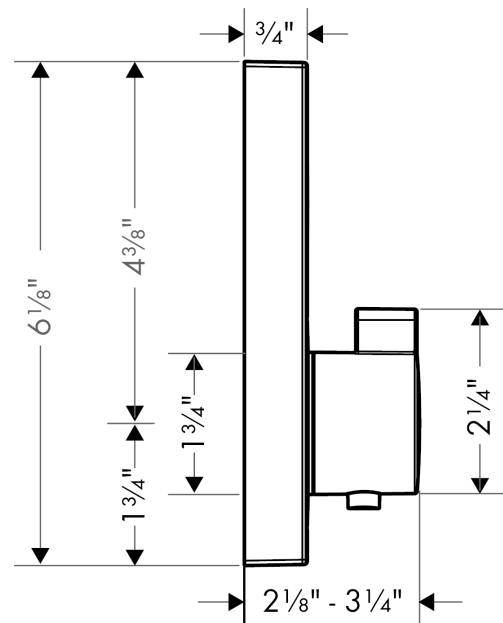
**Compliance**



**Product image**



**Scale drawing**

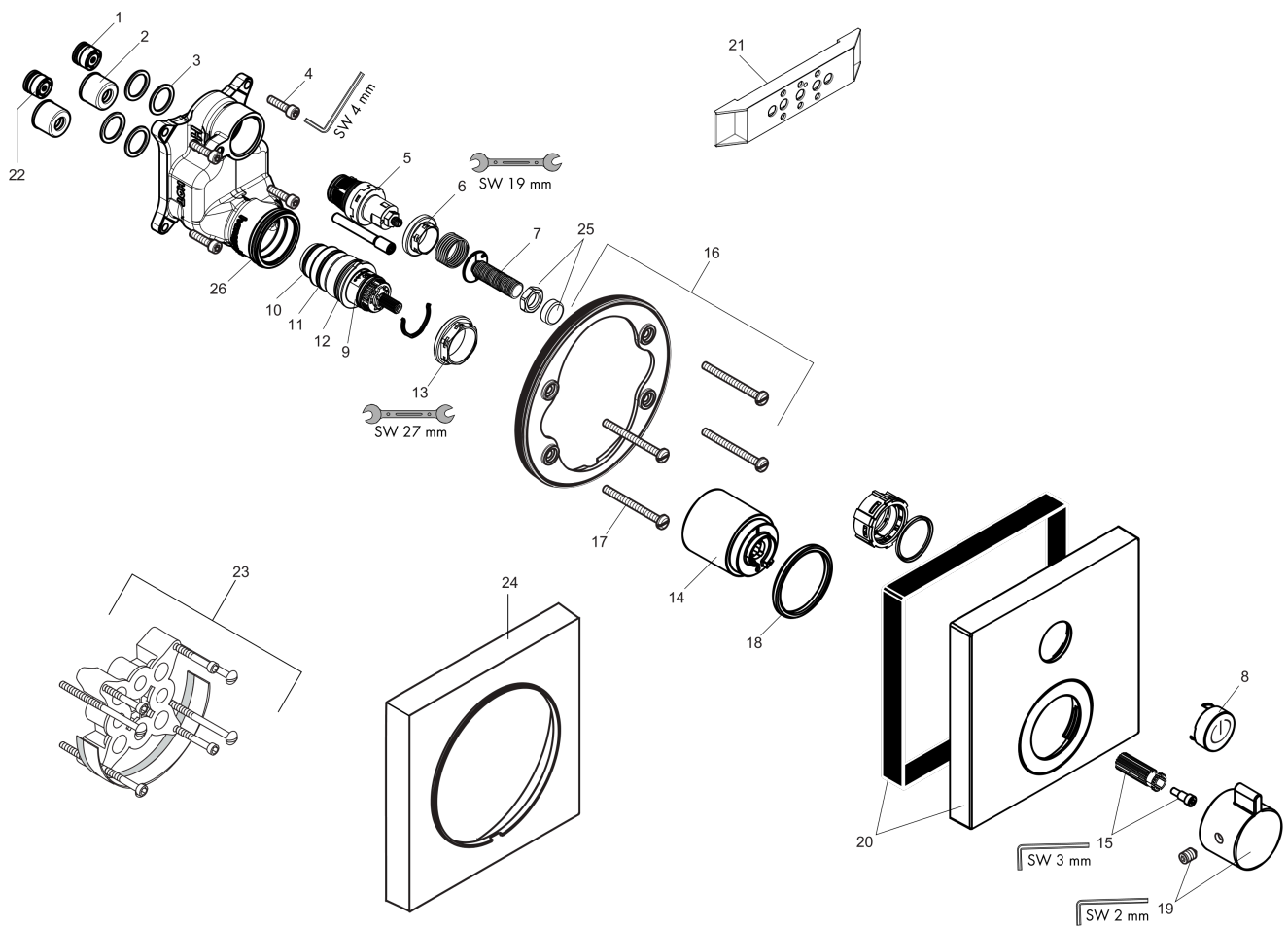


**ShowerSelect**  
**Thermostatic Trim for 1 Function, Square**  
 Product Finish: **brushed nickel** Part no. : **15762821**



**Exploded drawing**

Year of production: >12/14



## ShowerSelect

### Thermostatic Trim for 1 Function, Square

Product Finish: **brushed nickel** Part no. : **15762821**



#### Spare parts list

Year of production: >12/14

| Pos. | Description                                       | Part no. | Price | PU |
|------|---|----------|-------|----|
| 1    | non return valve                                  | 97980000 | -     | 1  |
| 2    | noise reduction                                   | 94073000 | -     | 1  |
| 3    | O-ring 16x2                                       | 98133000 | -     | 1  |
| 4    | set of screws                                     | 96525000 | -     | 1  |
| 5    | shut off unit                                     | 95758000 | -     | 1  |
| 6    | nut   | 98368000 | -     | 1  |
| 7    | Select-adapter                                    | 92219000 | -     | 1  |
| 8    | set of symbols                                    | 92218000 | -     | 1  |
| 9    | thermostat cartridge                              | 98282000 | -     | 1  |
| 10   | O-ring 20x1,5                                     | 98197000 | -     | 1  |
| 11   | O-ring 25x1,5                                     | 98146000 | -     | 1  |
| 12   | O-ring 25x2,5                                     | 92146000 | -     | 1  |
| 13   | nut   | 98913000 | -     | 1  |
| 14   | sleeve  | 92216820 | -     | 1  |
| 15   | handle fixing set                                 | 95843000 | -     | 1  |
| 16   | holder for escutcheon                             | 98793000 | -     | 1  |
| 17   | set of fixing screws                              | 96454000 | -     | 1  |
| 18   | O-ring 44x4                                       | 98471000 | -     | 1  |
| 19   | handle for thermostat                             | 92215821 | -     | 1  |
| 20   | escutcheon 155 / 155 mm                           | 92234821 | -     | 1  |
| 21   | fit-up aid  | 92540000 | -     | 1  |
| 22   | non return valve (pressure-resistant up to 2 MPa) | 92594000 | -     | 1  |
| 23   | extension 25 mm                                   | 13595000 | -     | 1  |
| 24   | extension 22 mm                                   | 13593820 | -     | 1  |
| 25   | nut and flange                                    | 92696000 | -     | 1  |
| 26   | O-ring 36x2                                       | 98156000 | -     | 1  |
| a    | set of fixing screws                              | 97747000 | -     | 1  |
| b    | shut off unit (special)                           | 92361000 | -     | 1  |
| c    | compensation set 1°                               | 95521000 | -     | 1  |
| d    | brake disc  | 92498000 | -     | 1  |
| e    | symbol head shower Rain large                     | 93571880 | -     | 1  |
| f    | symbol head shower Rain small                     | 93572880 | -     | 1  |
| g    | symbol handshower                                 | 93573880 | -     | 1  |
| h    | symbol Flood jet                                  | 93574880 | -     | 1  |
| i    | symbol Whirl                                      | 93575880 | -     | 1  |
| j    | symbol Mono                                       | 93576880 | -     | 1  |
| k    | symbol tub  | 93577880 | -     | 1  |
| l    | symbol body shower                                | 93578880 | -     | 1  |
| m    | symbol ON/OFF                                     | 93579880 | -     | 1  |
| n    | pushbutton  | 93955880 | -     | 1  |