

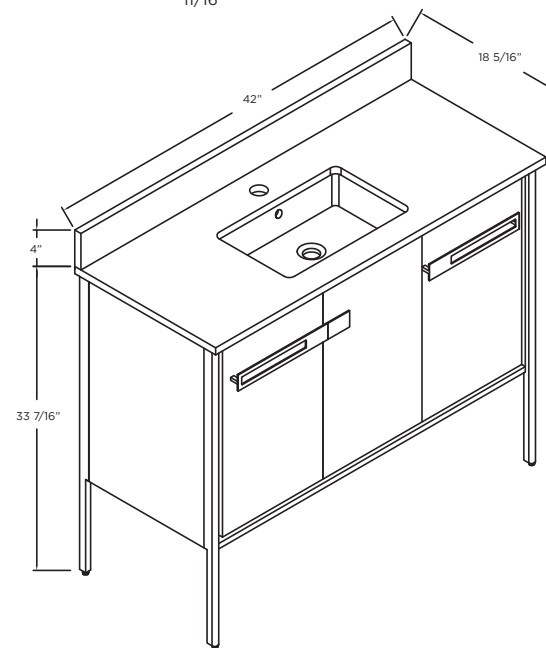
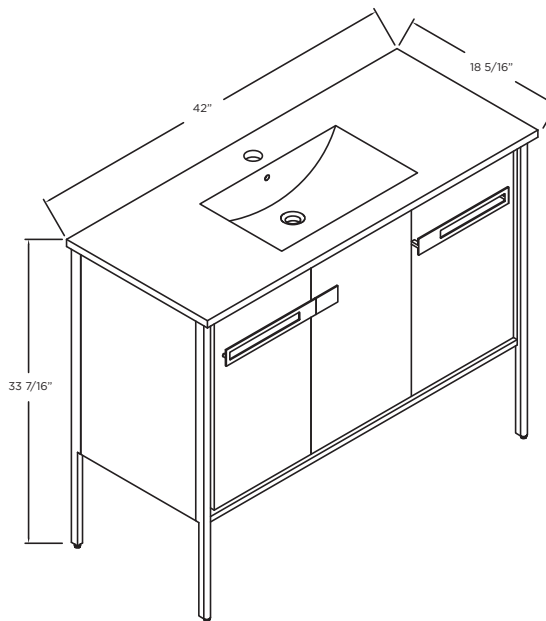
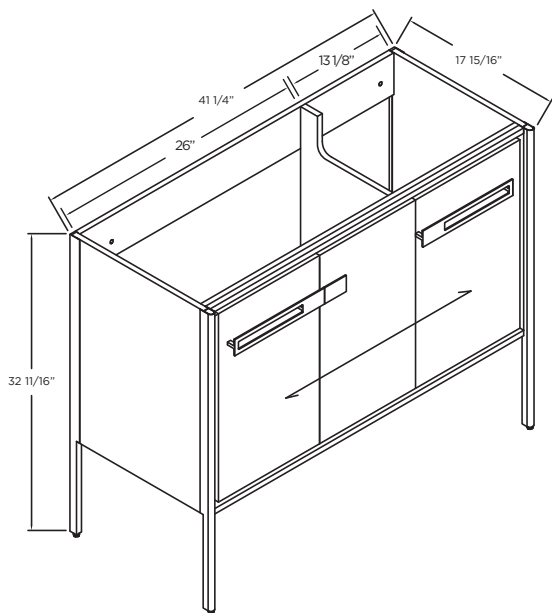
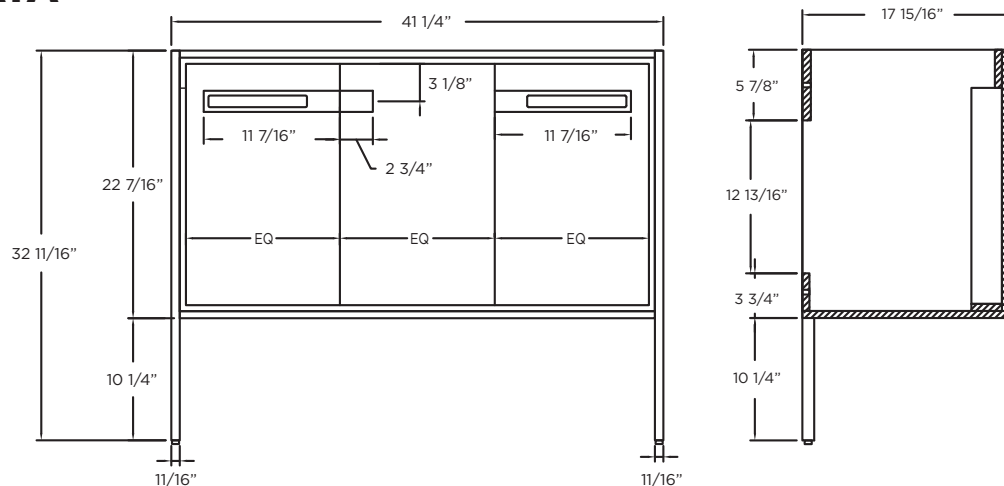
SPECIFICATIONS / TECHNICAL DATA

VANITY COLLECTION

OAKVILLE

42"

FLOOR STANDING



ATTENTION! Dimensions may vary by up to 3/8". It is highly recommended to pull all dimensions of actual model for installation and measuring purposes.

MODEL# OK42

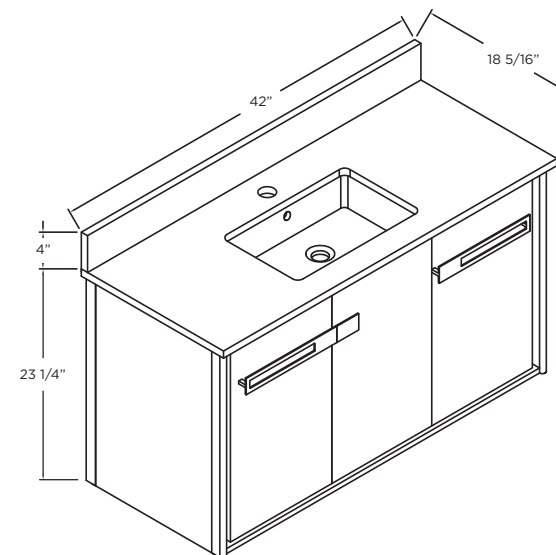
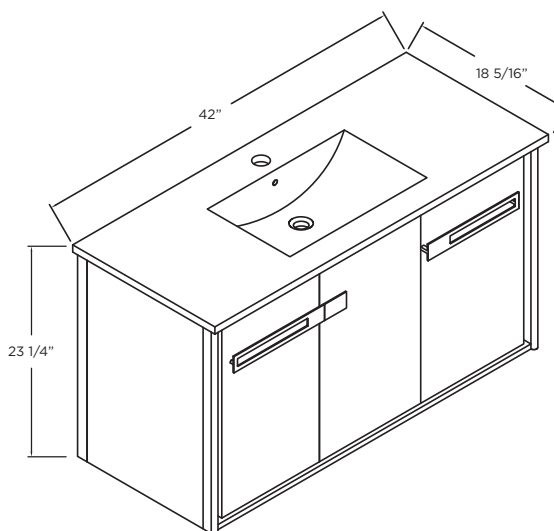
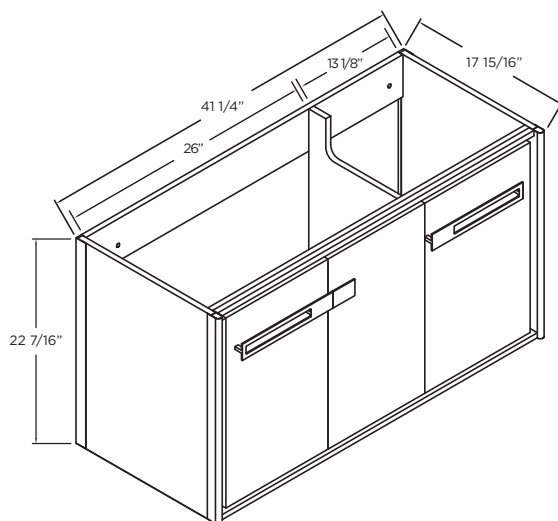
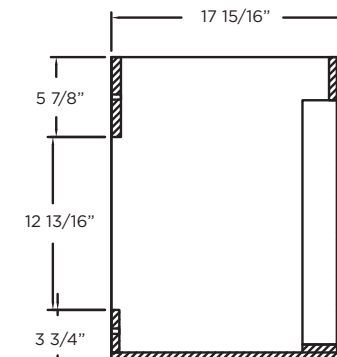
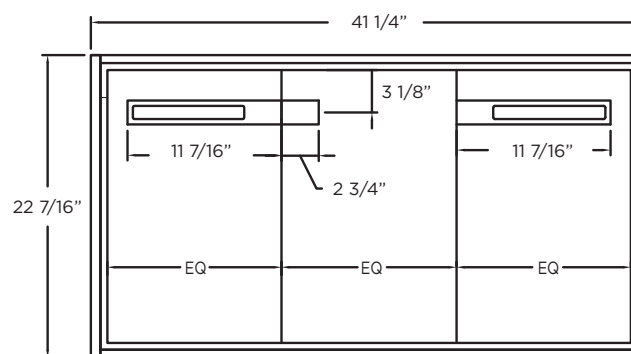
SPECIFICATIONS / TECHNICAL DATA

VANITY COLLECTION

OAKVILLE

42"

WALL HUNG



ATTENTION! Dimensions may vary by up to 3/8". It is highly recommended to pull all dimensions of actual model for installation and measuring purposes.

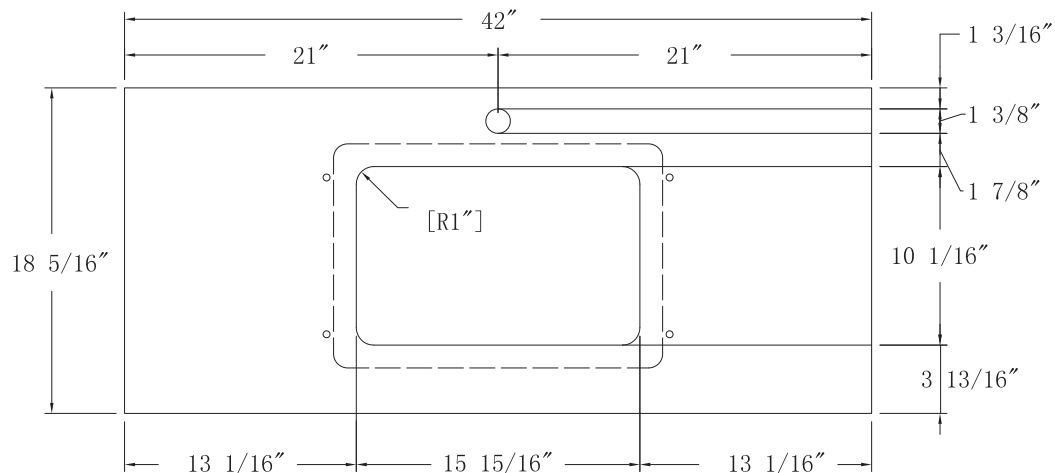
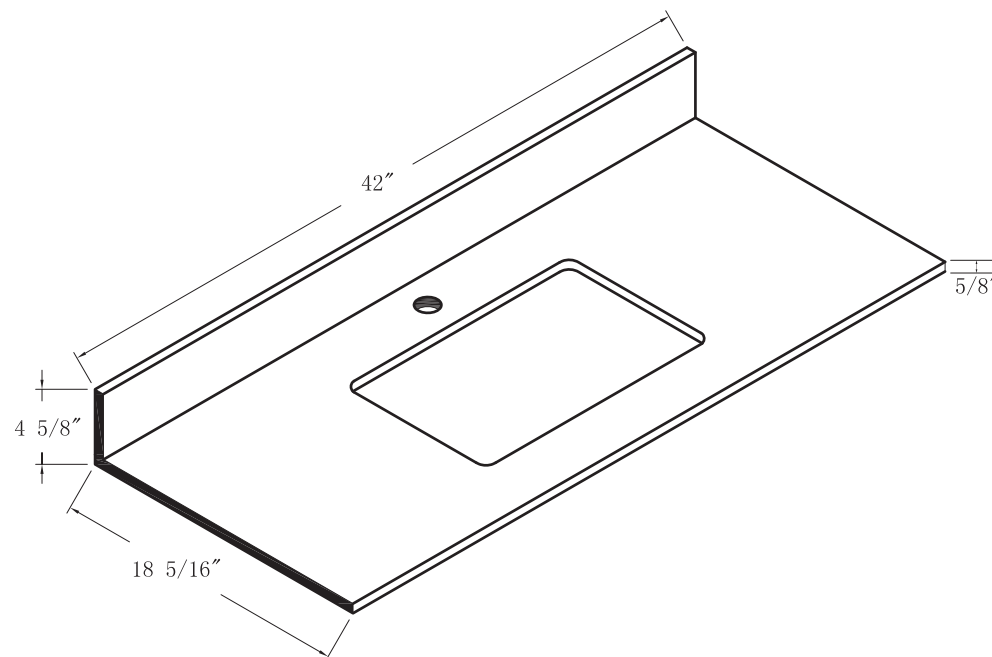
MODEL# OK42

SPECIFICATIONS / TECHNICAL DATA

SINTERED STONE TOP

SINGLE SINK

42"



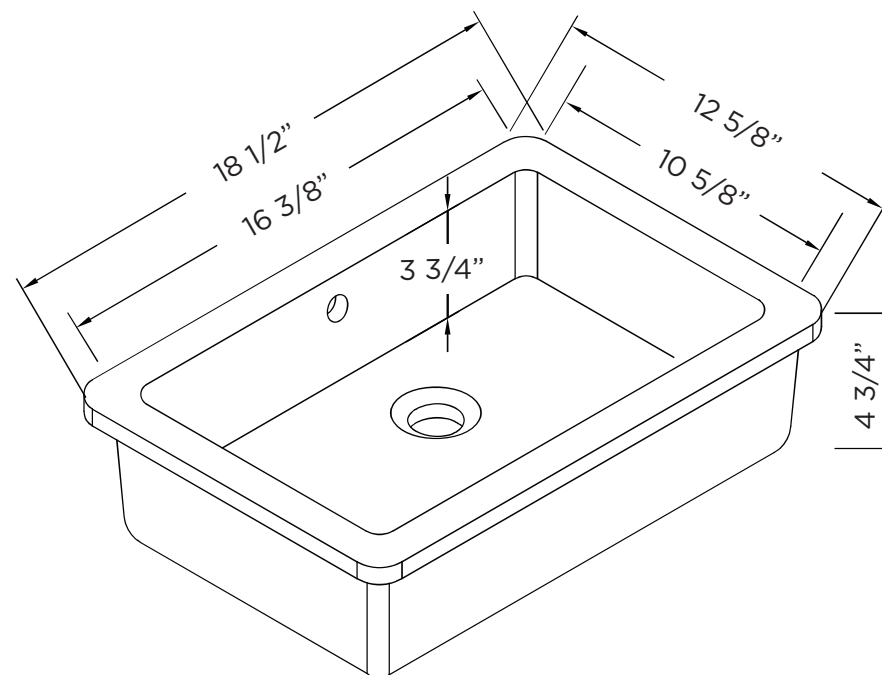
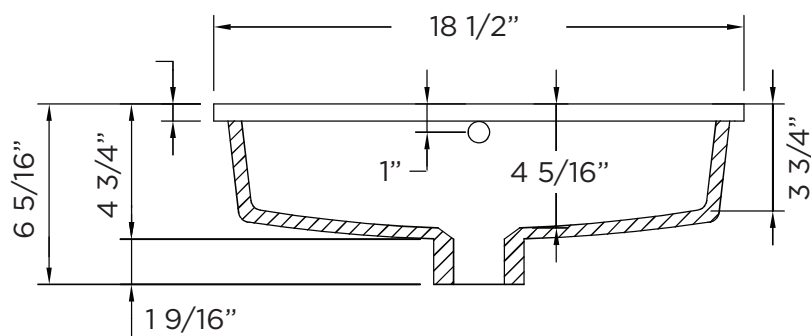
ATTENTION! Dimensions may vary by up to 3/8". It is highly recommended to pull all dimensions of actual model for installation and measuring purposes.

MODEL# SS48

SPECIFICATIONS / TECHNICAL DATA

UNDERMOUNT SINK

17"



ATTENTION! Dimensions may vary by up to 3/8". It is highly recommended to pull all dimensions of actual model for installation and measuring purposes.

MODEL# UM1711