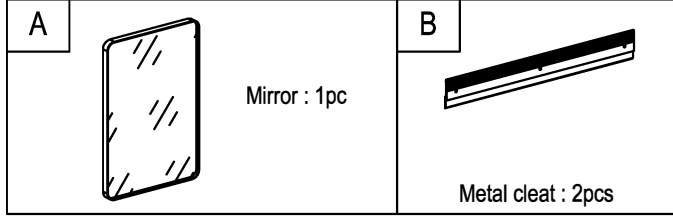


1100 - M24BR / M24BK / M24BN / M24PC

Thank you for purchasing this quality product. Be sure to check all package carefully for small parts which may have come loose inside the carton during shipment. Identify and count all part and compare with the parts list below:

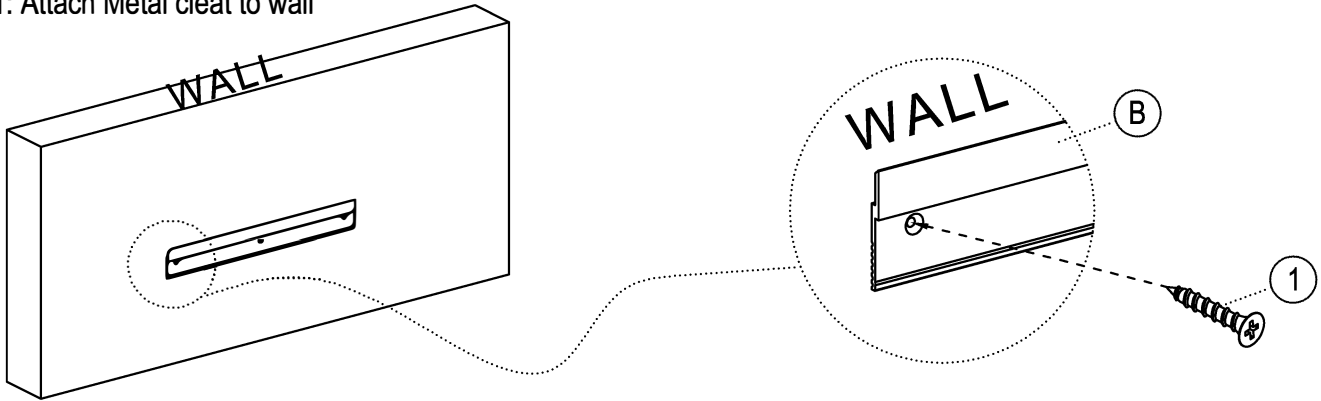
LIST OF PARTS



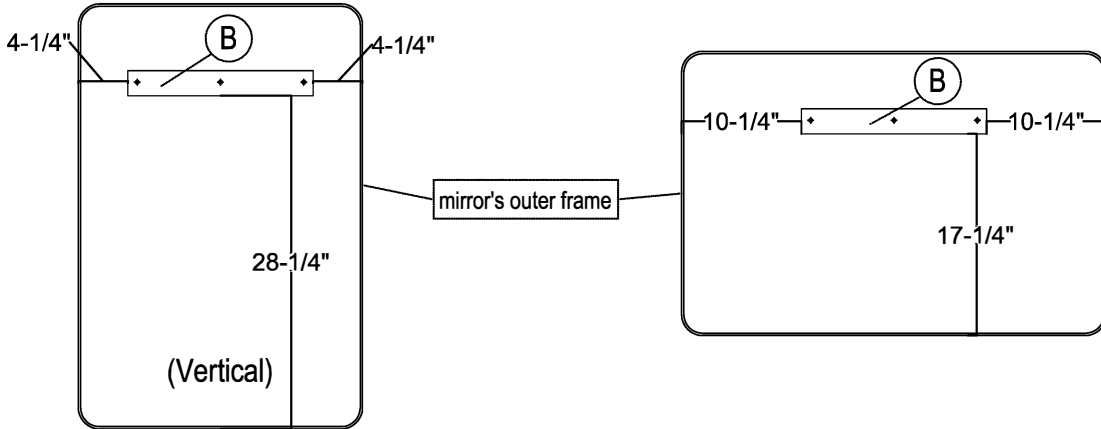
HARDWARE LISTS

1		#8 x 1-1/4" L	Screw	3pcs
---	---	---------------	-------	------

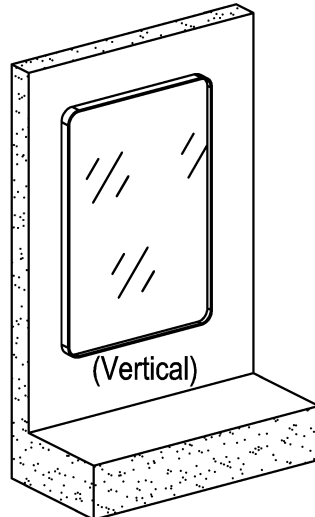
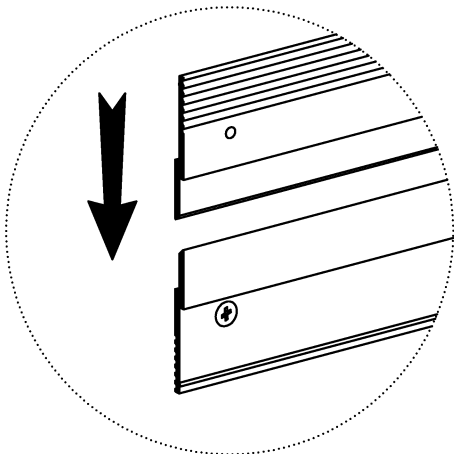
Step 1: Attach Metal cleat to wall



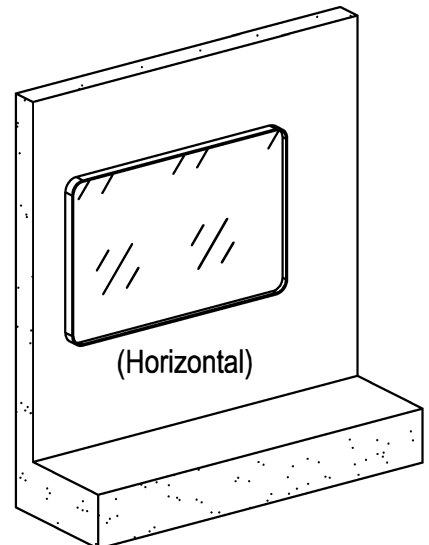
Based on the position of the metal cleat on the wall relative to the mirror to locate the mirror on the wall.



Step 2: Secure the Mirror to wall.



Or



CLEANING INSTRUCTION: Clean with a soft cloth and warm water with mild detergent, then dry thoroughly with a soft cloth.