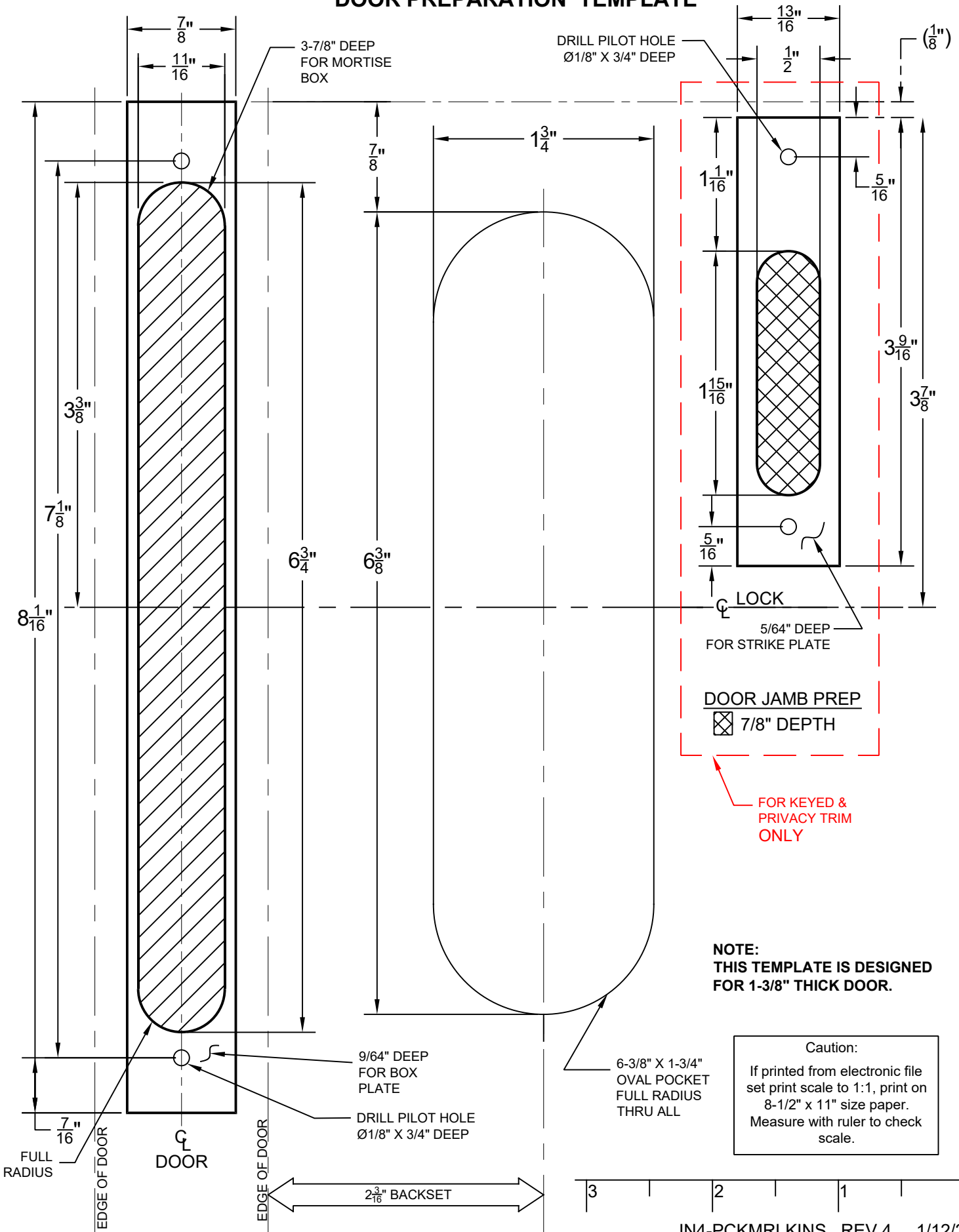


## NARROW OVAL & NARROW MODERN RECTANGULAR POCKET DOOR MORTISE DOOR PREPARATION TEMPLATE



Narrow Oval & Narrow Modern Rectangular Pocket Mortise

PM

Narrow Oval & Narrow Modern Rectangular Pocket Mortise

PM

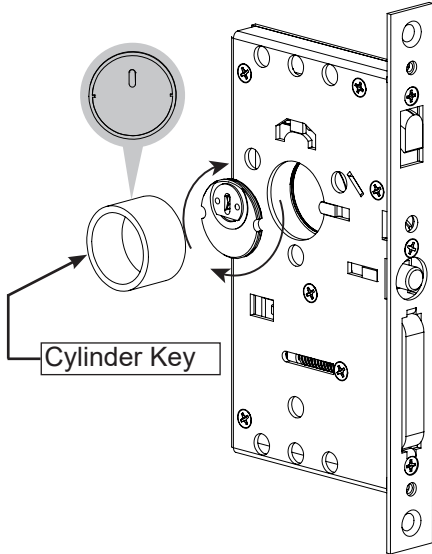
**NOTE:**  
THIS TEMPLATE IS DESIGNED FOR 1-3/8" THICK DOOR.

**Caution:**  
If printed from electronic file set print scale to 1:1, print on 8-1/2" x 11" size paper. Measure with ruler to check scale.

### 1. Thread Drive Bar Cylinder

Use Cylinder Key to thread Drive Bar Cylinder clockwise on interior side of door.

Inside

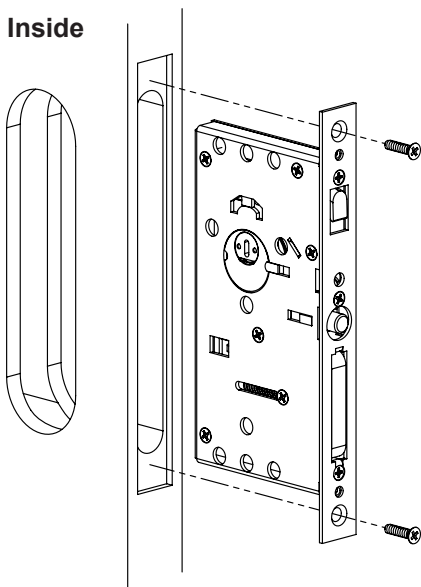


Cylinder Key

Note: Notches on cylinder must be parallel with the horizontal plane when screwed flush into lock body.

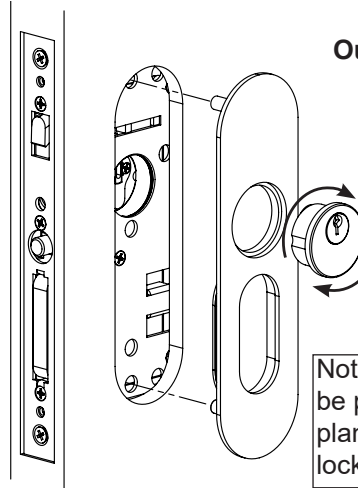
### 2. Install Lock Body

Inside



See template for door prep specifications

### 3. Install Outside Plate and Thread Key Cylinder



Outside

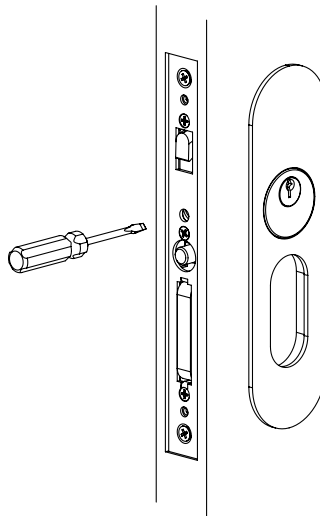
TRIMS VARY  
NARROW OVAL SHOWN

Install Key Cylinder by threading it clockwise onto lock body plate.

Note: Key Cylinder notches must be parallel with the horizontal plane when fully screwed into lock body.

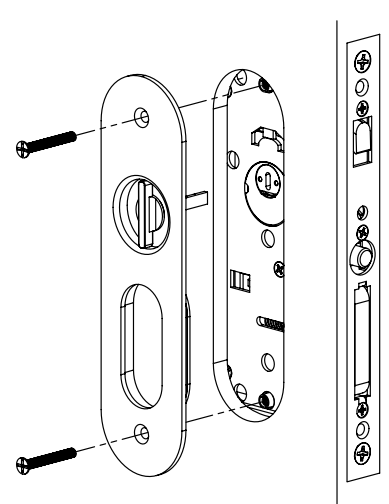
### 4. Tighten Key Cylinder

Tighten locking screw to engage notches on cylinder

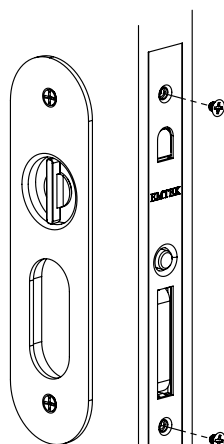


### 5. Mount Inside Plate

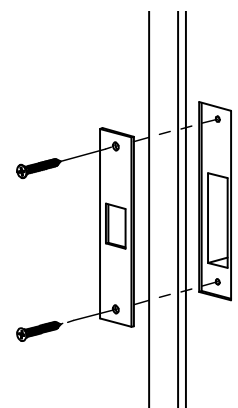
Inside



### 6. Install Trim Plate



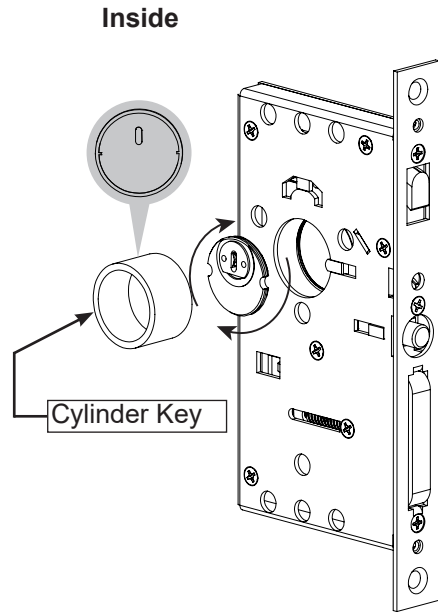
### Door Jamb Prep.



See template for door jamb prep specifications

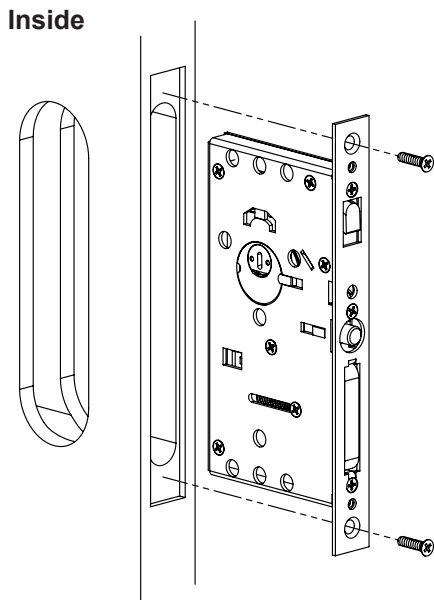
#### 1. Thread Drive Bar Cylinder

Use Cylinder Key to thread Drive Bar Cylinder clockwise on interior side of door.



Note: Notches on cylinder must be parallel with the horizontal plane when screwed flush into lock body.

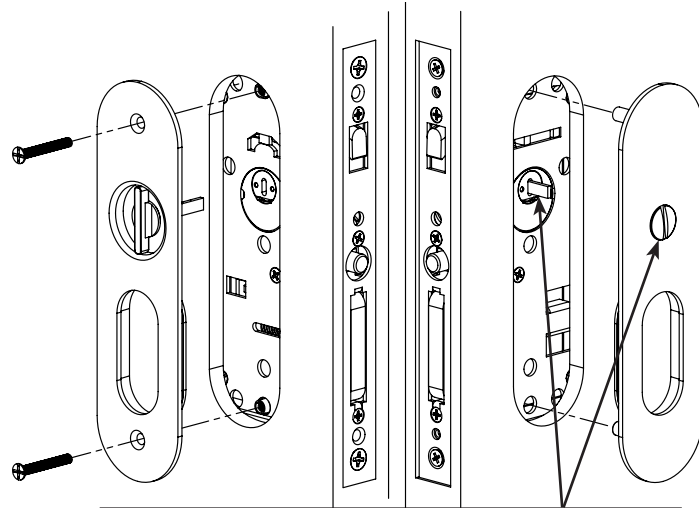
#### 2. Install Lock Body



See template for door prep specifications

#### 3. Install Inside and Outside Plates

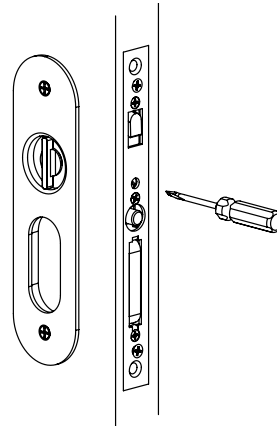
**Inside** TRIMS VARY NARROW OVAL SHOWN **Outside**



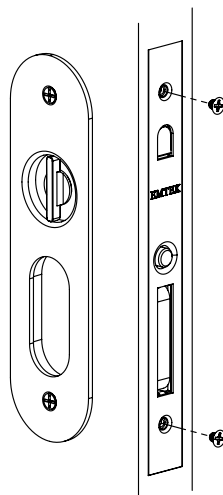
Align Passage/Privacy button with Thumb-turn tail piece and secure trim plates to door.

#### 4. Tighten Drive Bar Cylinder

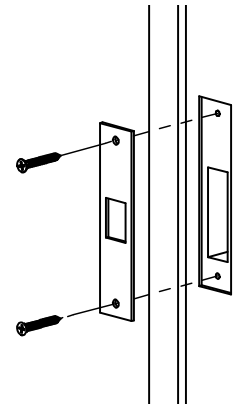
Tighten locking screw to engage notches on cylinder



#### 5. Install Trim Plate



#### Door Jamb Prep.

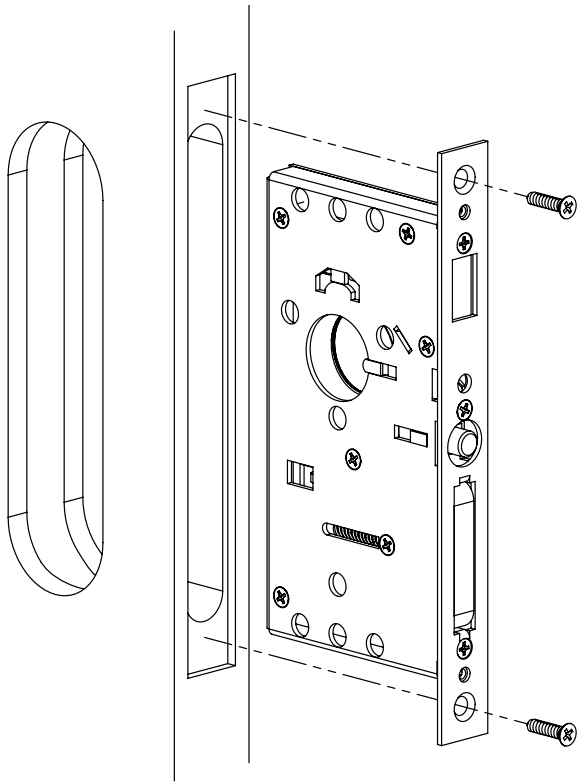


See template for door jamb prep specifications

# EMTEK® Passage/Dummy Function Installation Guide

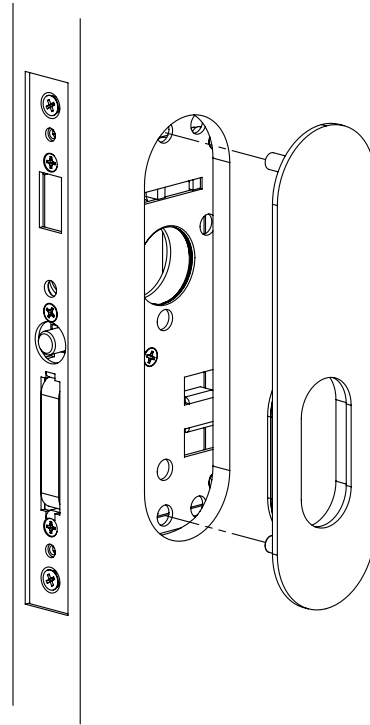
Narrow Oval & Narrow Modern Rectangular Pocket Mortise

## 1. Install Lock Body



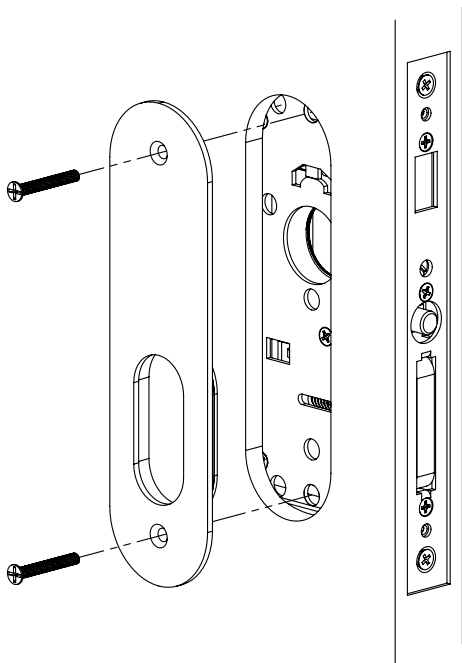
See template for door prep specifications

## 2. Install Outside Plate

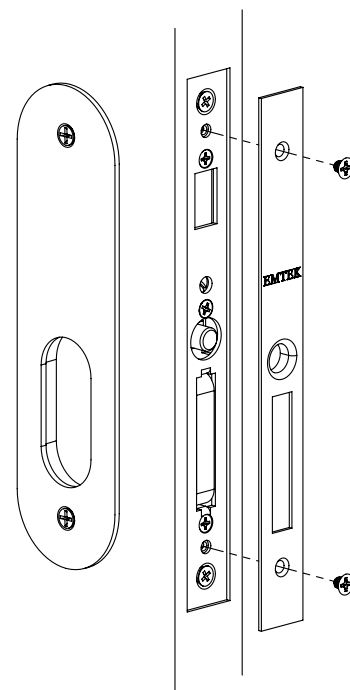


TRIMS VARY  
NARROW OVAL SHOWN

## 3. Install Inside Plate



## 4. Install Trim Plate



Passage Trim shown