
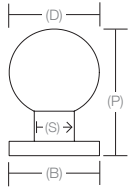


COMTEMPORARY


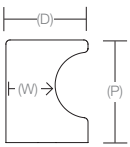
Cabinet Knobs & Pulls Technical Specifications

EMTEK


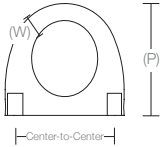
Globe Knob

 <p>(Back Plate Included)</p>		Product Code Dimension(D) Projection(P) Base Diameter(B) Stem Diameter(S)
		86152 1 1/8" 1 1/2" 1" 1/2"


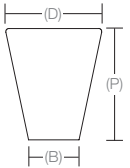
Finger Pull

		Product Code Dimension(D) Projection(P) Width(W)
		86150 7/8" 1" 5/8" 86151 1" 1 1/4" 5/8"


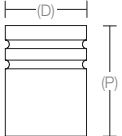
Ring Knob

 <p>(2 Screws are Included)</p>		Product Code Dimension C-to-C Projection(P) Width(W)
		86270 1" 1 1/4" 3/8"


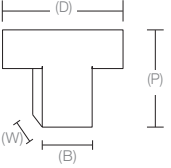
Cone Knob

		Product Code Dimension(D) Projection(P) Base Diameter(B)
		86261 1" 1 1/8" 1/2" 86262 1 1/8" 1 3/8" 5/8"

Metric Knob

		Product Code Dimension(D) Projection(P)
		86268 1" 1 1/4" 86269 1 1/8" 1 3/8"

Trail Knob


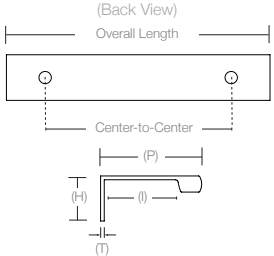
		Product Code Dimension(D) Projection(P) Base(B) Width(W)
		86271 2" 1 3/8" 3/8" 5/8"

CONTEMPORARY


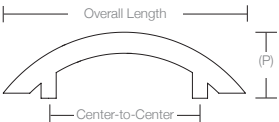
Cabinet Knobs & Pulls Technical Specifications

EMTEK


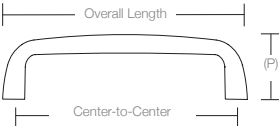
Edge Pull

		Product Code	Dimension C-to-C	Overall Length	Projection(P)	Height(H)	Inner Projection(I)	Thickness(T)
		87160	1"	1 1/2"	1 3/4"	3/4"	1 1/4"	1/16"
		87100	3"	4 1/4"	1 3/4"	3/4"	1 1/4"	1/16"
		87110	4"	5 1/4"	1 3/4"	3/4"	1 1/4"	1/16"
		87120	6"	7 1/4"	1 3/4"	3/4"	1 1/4"	1/16"
		87130	8"	9 1/4"	1 3/4"	3/4"	1 1/4"	1/16"
		87140	10"	11 1/4"	1 3/4"	3/4"	1 1/4"	1/16"
87150	12"	13 1/4"	1 3/4"	3/4"	1 1/4"	1/16"		

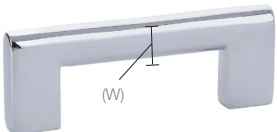
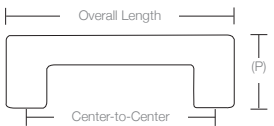
Arch Pull (Discontinued. No Longer Available)

		Product Code	Dimension C-to-C	Overall Length	Projection(P)
		86153	3"	4 3/4"	1 1/8"
		86154	3 1/2"	5 1/4"	1 1/8"
		86155	4"	5 3/4"	1 1/8"
		86251	6"	8 3/4"	1 1/4"

Orbit Pull

		Product Code	Dimension C-to-C	Overall Length	Projection(P)
		86256	3"	3 3/8"	1"
		86257	3 1/2"	3 7/8"	1"
		86258	4"	4 3/8"	1"
		86259	6"	6 3/8"	1"
		86260	10"	10 3/8"	1"

Trail Pull


		Product Code	Dimension C-to-C	Overall Length	Projection(P)	Width(W)
		86161	3"	3 3/4"	1 3/8"	1/2"
		86162	3 1/2"	4 1/4"	1 3/8"	1/2"
		86163	4"	4 3/4"	1 3/8"	1/2"
		86272	5"	5 3/4"	1 3/8"	1/2"
		86164	6"	6 3/4"	1 3/8"	1/2"
		86165	8"	8 3/4"	1 3/8"	1/2"
		86273	10"	10 3/4"	1 3/8"	1/2"
		86166	12"	12 3/4"	1 3/8"	1/2"
		86274	16"	16 3/4"	1 3/8"	1/2"

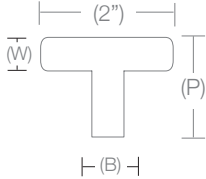
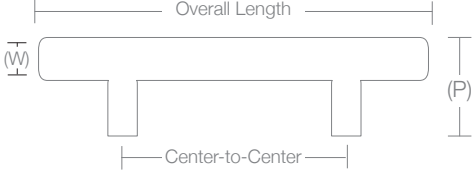
COMTEMPORARY

Cabinet Knobs & Pulls Technical Specifications


EMTEK

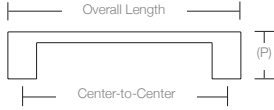
Brass Bar Knob & Pull

	Product Code	Overall Length	Dimension C-to-C	Projection(P)	Base Diameter(B)	Bar Width(W)
	86357	2"	N/A	1 1/4"	3/8"	1/2"
	86358	5"	3"	1 1/4"	3/8"	1/2"
	86359	5 1/2"	3 1/2"	1 1/4"	3/8"	1/2"
	86360	6 1/2"	4"	1 1/4"	3/8"	1/2"
	86361	7 1/2"	5"	1 1/4"	3/8"	1/2"
	86362	8 1/2"	6"	1 1/4"	3/8"	1/2"
	86363	10 1/2"	8"	1 1/4"	3/8"	1/2"
	86364	12 1/2"	10"	1 1/4"	3/8"	1/2"
	86365	14 1/2"	12"	1 1/4"	3/8"	1/2"
86366	18 1/2"	16"	1 1/4"	3/8"	1/2"	
86367	26 1/2"	24"	1 1/4"	3/8"	1/2"	

 <p>Brass Bar Knob (86357)</p>	 <p>Brass Bar Pull</p>
---	--

Trinity Pull

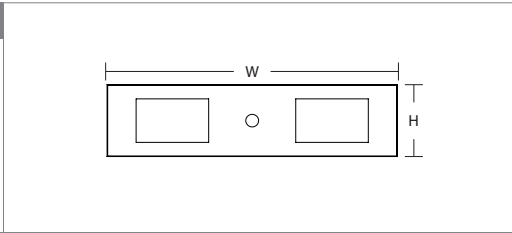
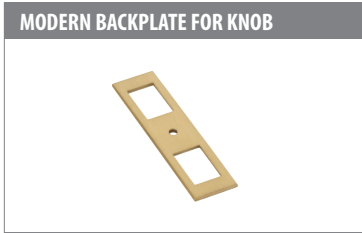
	Product Code	Dimension C-to-C	Overall Length	Projection(P)	Width(W)
	86263	3"	3 1/2"	1"	5/8"
	86264	3 1/2"	4"	1"	5/8"
	86265	4"	4 1/2"	1"	5/8"
	86482	5"	5 1/2"	1"	5/8"
	86266	6"	6 1/2"	1"	5/8"
	86438	8"	8 1/2"	1"	5/8"
	86267	10"	10 1/2"	1"	5/8"
	86483	12"	12 1/2"	1"	5/8"



MODERN CABINET BACKPLATES

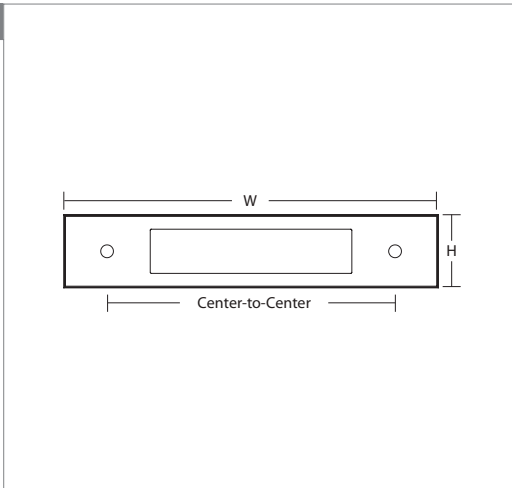
Cabinet Knobs & Pulls Technical Specifications

EMTEK



Product Code	W x H	Depth
86921	4" x 1"	3/8"

Size incompatible with: Ring Knob, Cinder Knob, District Knob, Juneau Crystal Knob, Grayson Crystal Knob, Forza Crystal Knob, Georgetown Crystal Knob, Hampton Crystal Knob, Bristol Crystal Knob, Brookmont Crystal Knob, Lido Crystal Knob, and Old Town Crystal Knob.



Product Code	C-to-C	Width(W)	Height(H)	Depth
86922	4"	5 1/4"	1"	3/8"
86923	5"	6 1/4"	1"	3/8"
86924	6"	7 1/4"	1"	3/8"
86925	8"	9 1/4"	1"	3/8"
86926	10"	11 1/4"	1"	3/8"
86927	12"	13 1/4"	1"	3/8"

Size Incompatible with: Carbon Fiber Bin Pull, Ribbon & Reed Estate Pull, Hammered Pull, and Appliance Pulls.