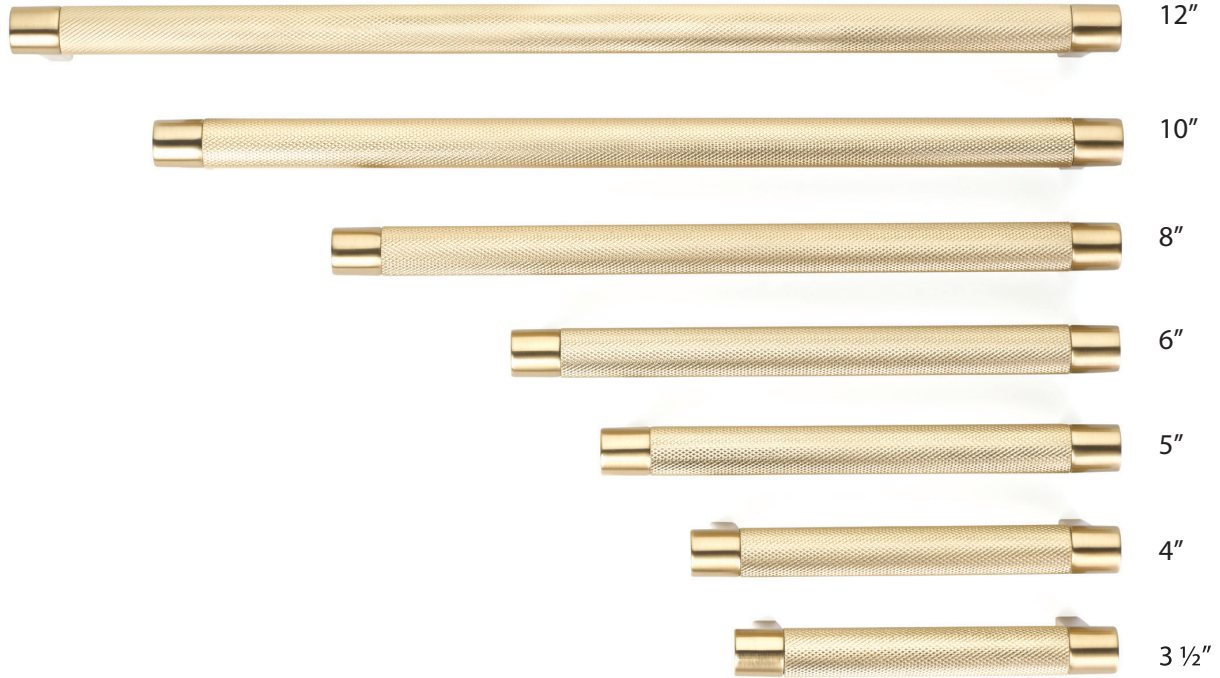




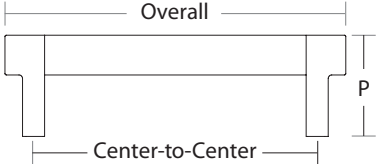
SELECT CABINET PULLS

Technical Specifications

EMTEK



SELECT CABINET PULLS				Stem	Bar Pull
Product Code	C-to-C	Overall	Projection (P)		
84052	3 1/2"	4 1/4"	1 3/8"	 <p>Rectangular (REC)</p>	 <p>Knurled (KN)</p>
84053	4"	4 3/4"	1 3/8"		
84054	5"	5 3/4"	1 3/8"		
84055	6"	6 3/4"	1 3/8"		
84056	8"	8 3/4"	1 3/8"		
84057	10"	10 3/4"	1 3/8"		
84058	12"	12 3/4"	1 3/8"		



STEM AND BAR PULL WILL BE PERMANENTLY AFFIXED.

NOT DRAWN TO SCALE