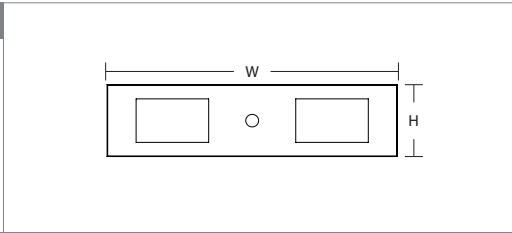
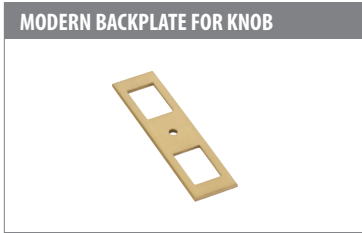


MODERN CABINET BACKPLATES

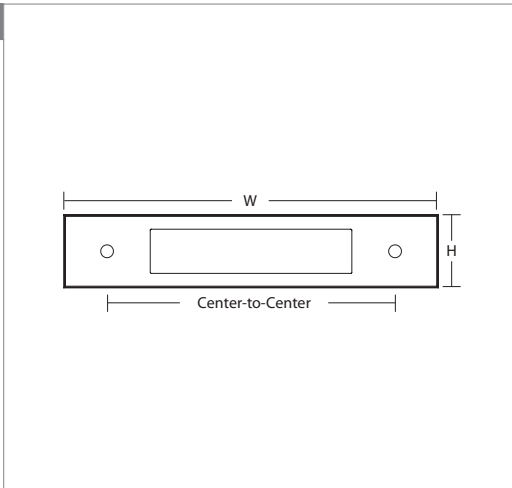
Cabinet Knobs & Pulls Technical Specifications

EMTEK



Product Code	W x H	Depth
86921	4" x 1"	3/8"

Size incompatible with: Ring Knob, Cinder Knob, District Knob, Juneau Crystal Knob, Grayson Crystal Knob, Forza Crystal Knob, Georgetown Crystal Knob, Hampton Crystal Knob, Bristol Crystal Knob, Brookmont Crystal Knob, Lido Crystal Knob, and Old Town Crystal Knob.




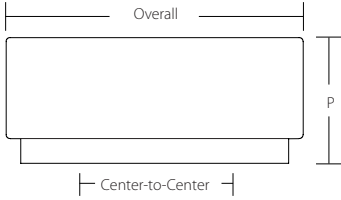
Product Code	C-to-C	Width(W)	Height(H)	Depth
86922	4"	5 1/4"	1"	3/8"
86923	5"	6 1/4"	1"	3/8"
86924	6"	7 1/4"	1"	3/8"
86925	8"	9 1/4"	1"	3/8"
86926	10"	11 1/4"	1"	3/8"
86927	12"	13 1/4"	1"	3/8"


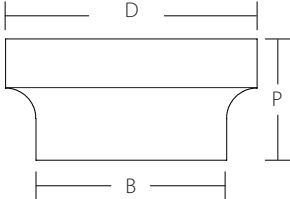
Size Incompatible with: Carbon Fiber Bin Pull, Ribbon & Reed Estate Pull, Hammered Pull, and Appliance Pulls.


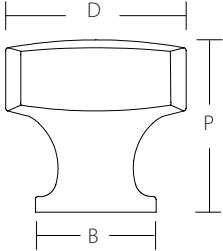
URBAN MODERN


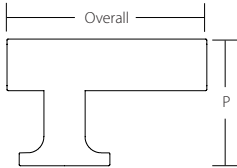
Cabinet Knobs & Pulls Technical Specifications


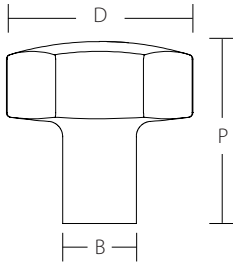
EMTEK

CINDER KNOB		Product Code	Overall	C-to-C	Projection(P)	Width
		86446	1 5/8"	1"	7/8"	5/8"
		86447	2 1/4"	1"	1"	1"

DISTRICT KNOB		Product Code	Dimension(D)	Projection(P)	Base Width(B)
		86448	1 3/8"	5/8"	1"
		86449	1 5/8"	5/8"	1 1/4"

FREESTONE KNOB		Product Code	Dimension(D)	Projection(P)	Base Width(B)
		86450	1 1/4"	1 1/4"	7/8"
		86451	1 1/2"	1 1/4"	1"


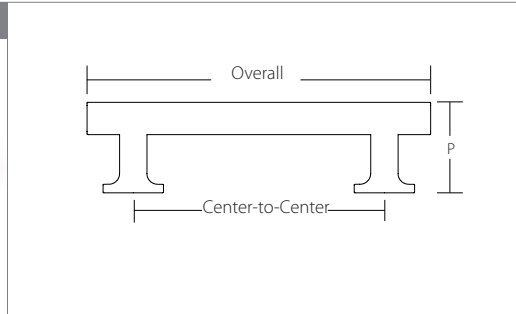
FREESTONE FINGER PULL		Product Code	Overall	Width	Projection(P)
		86452	1 7/8"	1/2"	1 1/8"

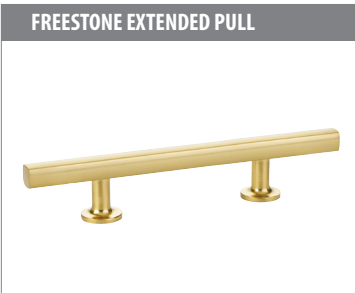
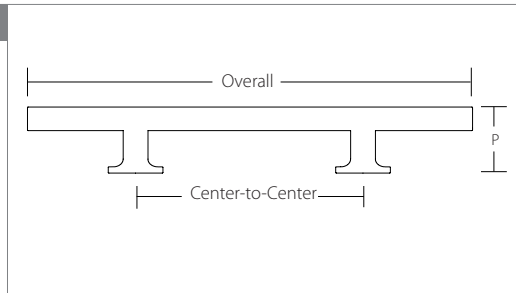
MOD HEX KNOB		Product Code	Dimension(D)	Projection(P)	Base Width(B)
		86457	1 1/8"	1 1/4"	1/2"
		86458	1 1/2"	1 3/8"	5/8"


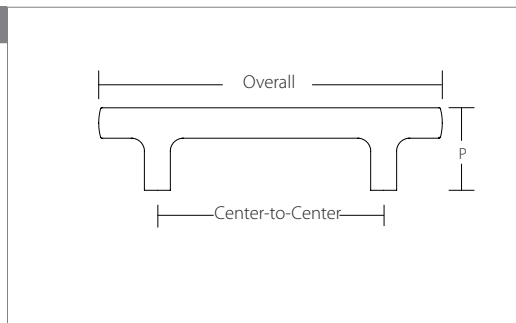
URBAN MODERN

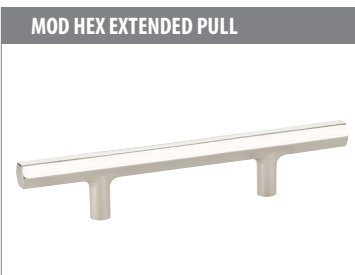
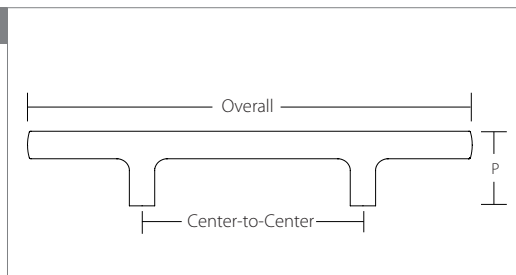
Cabinet Knobs & Pulls Technical Specifications

EMTEK

FREESTONE PULL		Product Code	C-to-C	Overall	Projection(P)	Width
		86453	3 1/2"	4 3/4"	1 1/4"	1/2"
		86454	4"	5 1/4"	1 1/4"	1/2"
		86676	5"	6 3/4"	1 3/8"	1/2"
		86455	6"	7 3/4"	1 3/8"	1/2"
		86456	8"	10 1/2"	1 3/8"	1/2"
		86677	10"	12 1/2"	1 3/8"	1/2"
		86678	12"	14 1/2"	1 3/8"	1/2"

FREESTONE EXTENDED PULL		Product Code	C-to-C	Overall	Projection(P)	Width
		86682	3 1/2"	7"	1 1/4"	1/2"
		86683	6"	10 1/2"	1 3/8"	1/2"

MOD HEX PULL		Product Code	C-to-C	Overall	Projection(P)	Width
		86459	3 1/2"	5 3/8"	1 1/4"	1/2"
		86460	4"	5 3/4"	1 1/4"	1/2"
		86679	5"	7"	1 3/8"	5/8"
		86461	6"	8"	1 3/8"	5/8"
		86462	8"	10 1/4"	1 3/8"	5/8"
		86680	10"	12 1/4"	1 3/8"	5/8"
		86681	12"	14 1/4"	1 3/8"	5/8"

MOD HEX EXTENDED PULL		Product Code	C-to-C	Overall	Projection(P)	Width
		86684	3 1/2"	7"	1 1/4"	1/2"
		86685	6"	10 1/2"	1 3/8"	5/8"